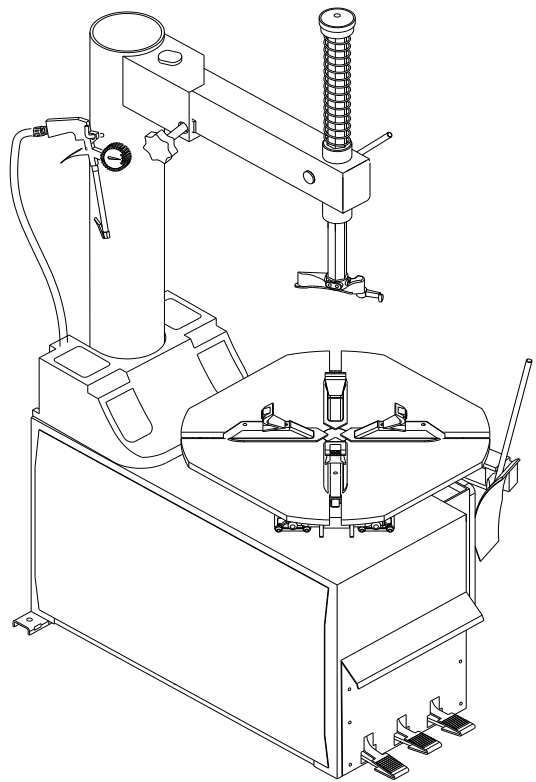
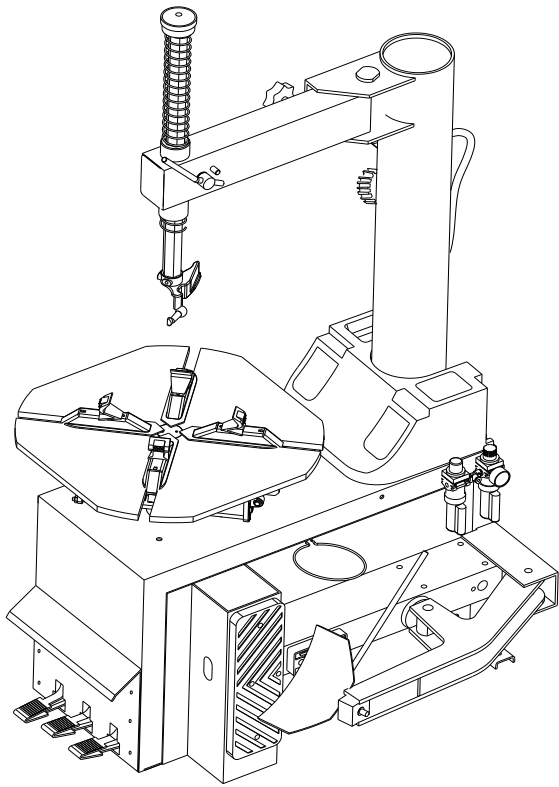
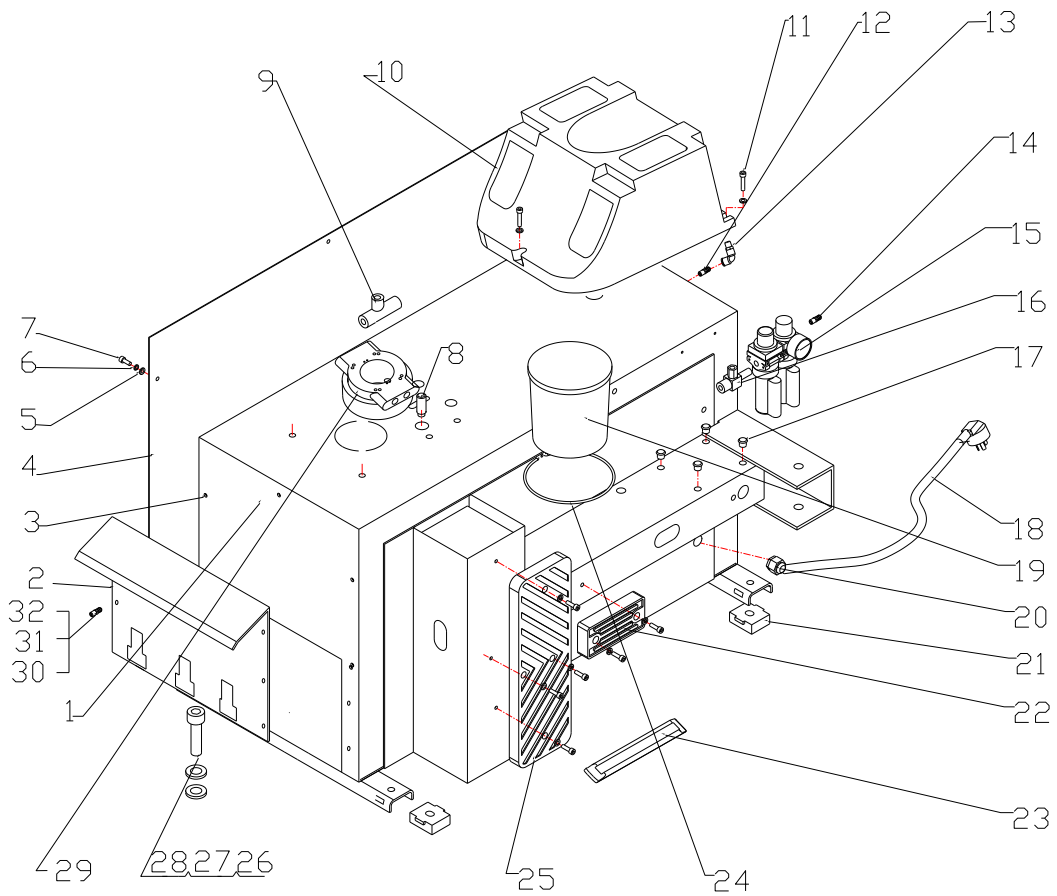
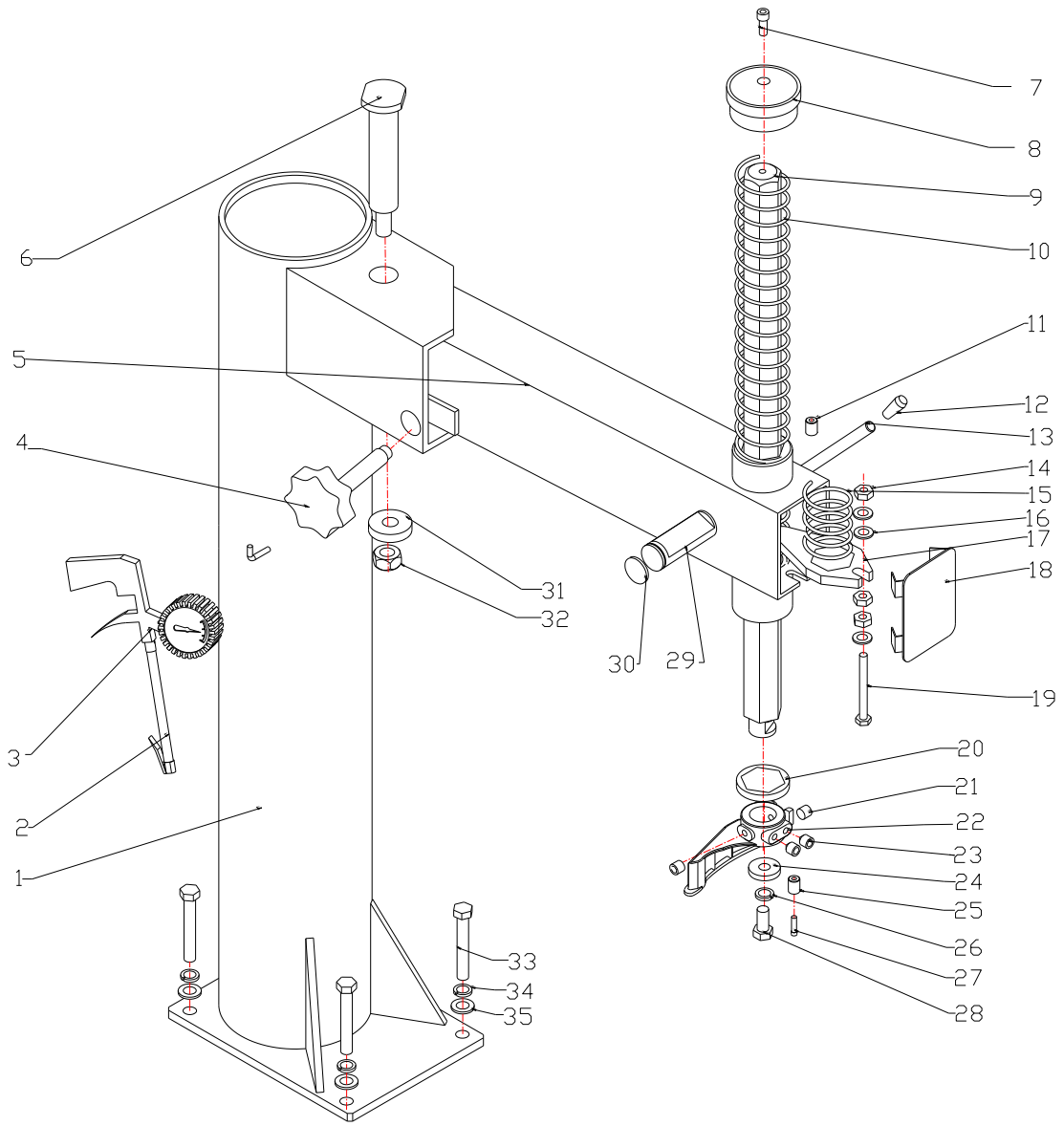


# Spare parts

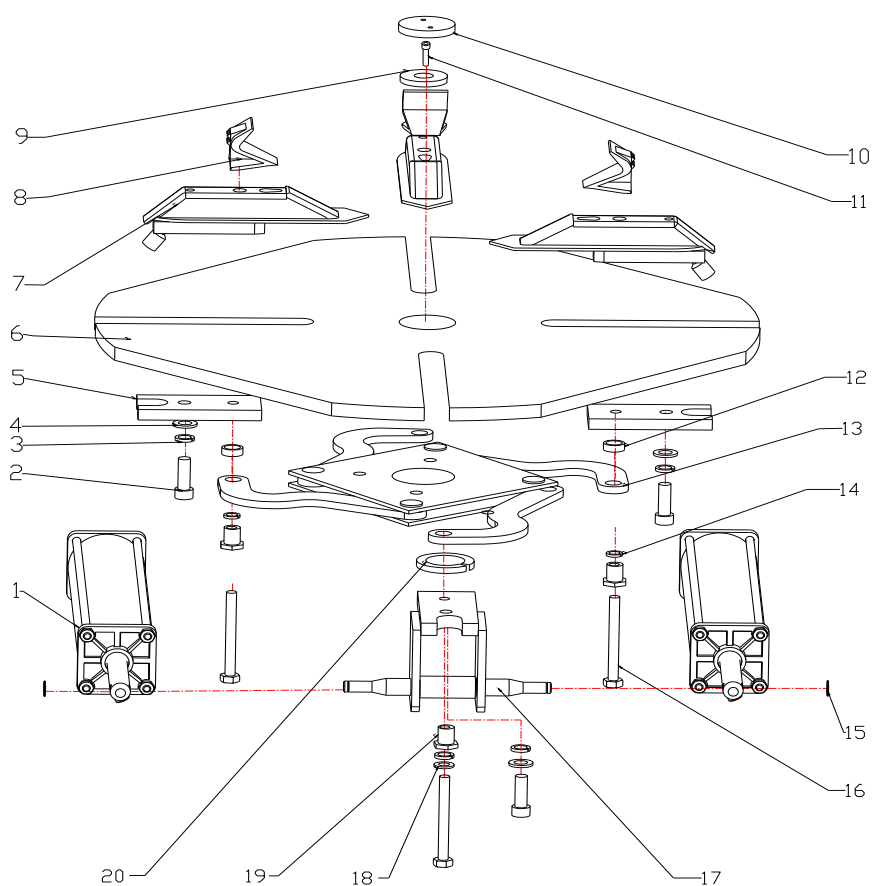




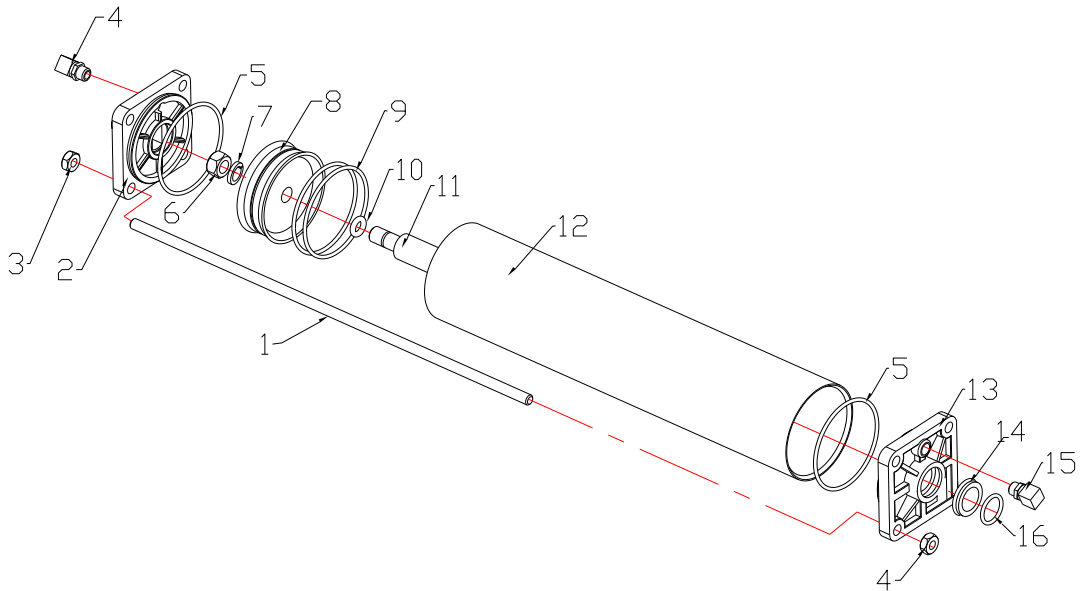
No.	Part No.	Description	Q'ty	No.	Part No.	Description	Q'ty
1	605R-001	Cabinet	1	17	605R-017	Hole stopper $\phi$ 12	8
2	605R-002	Pedal guard	1	18	605R-018	Power Lead	1
3	605R-003	Nut M6	5	19	605R-019	Water box	1
4	605R-004	Side cover	1	20	605R-020	Loop	1
5	605R-005	Flat Washer $\phi$ 6	21	21	605R-021	Rubber foot	4
6	605R-006	Elastic Washer $\phi$ 6	6	22	605R-022	Small wheel support	1
7	605R-007	Bolt M6 $\times$ 15	6	23	605R-023	Crowbar	1
8	605R-008	Oiling Pipe	1	24	605R-024	Water box spring	1
9	605R-009	Union $\phi$ 8	2	25	605R-025	Big wheel support	1
10	605R-010	Toolbox	1	26	605R-026	Bolt M10 $\times$ 20	4
11	605R-011	Bolt M6 $\times$ 20	9	27	605R-027	Flat Washer $\phi$ 10	4
12	605R-012	Union 8-02	1	28	605R-028	Elastic Washer $\phi$ 10	4
13	605R-013	Union 8-02	1	29	605R-029	Distributor assembly	1
14	605R-014	Pagoda Union 10-02	1	30	605R-030	Bolt M6 $\times$ 20	7
15	605R-015	Distributer of oil and water	1	31	605R-031	Flat Washer $\phi$ 6	7
16	605R-016	Union G1/4	1	32	605R-032	Elastic Washer $\phi$ 6	7



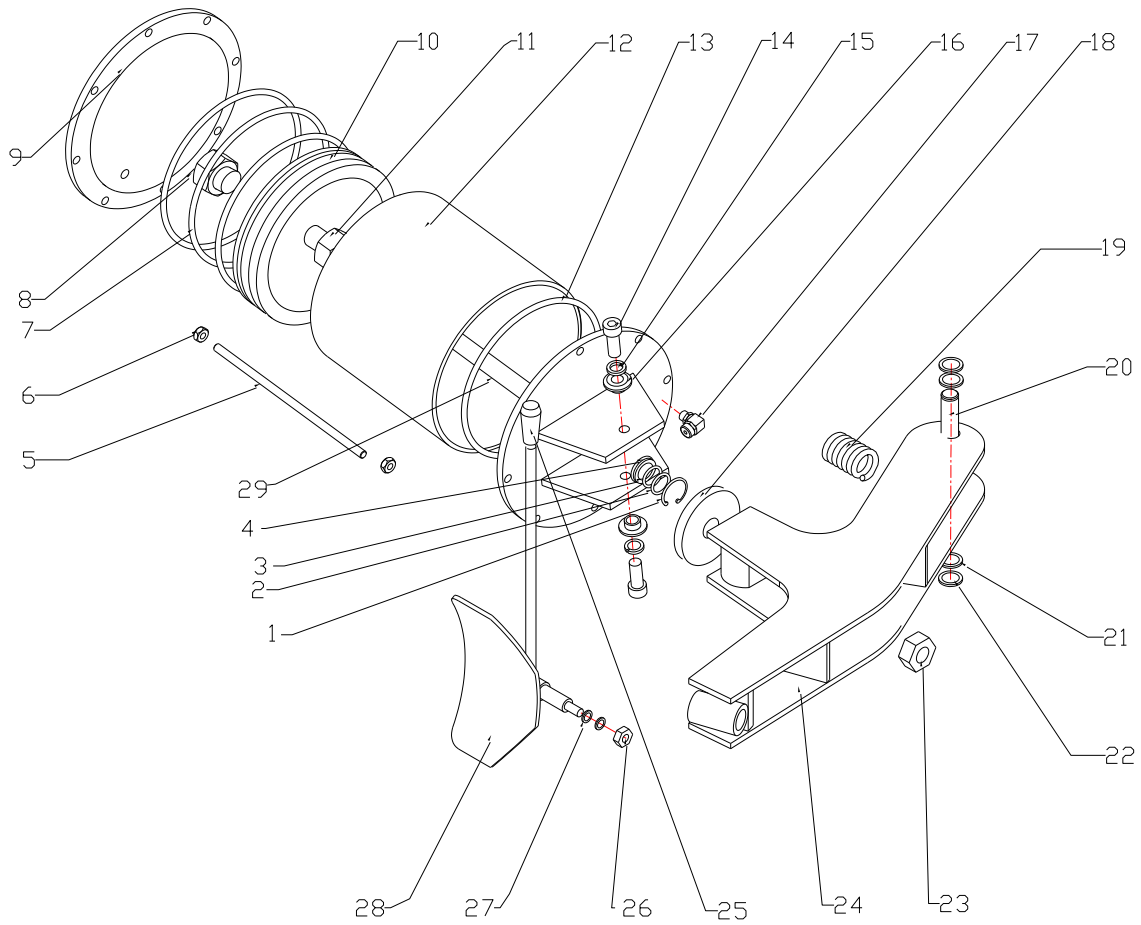
No.	Part No.	Description	Q'ty	No.	Part No.	Description	Q'ty
1	605R-032	Vertical arm	1	19	605R-050	Bolt M10×90	1
2	605R-033	Inflating gan	1	20	605R-051	Shock absorber	1
3	605R-034	Rubber pipe	1	21	605R-052	Screw M12×10	2
4	605R-035	Handwheel	1	22	605R-053	Mounting head	1
5	605R-036	Horizontal arm	1	23	605R-054	Screw M12×15	2
6	605R-037	Pivot	1	24	605R-055	Washer	1
7	605R-038	Bolt M8×20	1	25	605R-056	Peak roll	1
8	605R-039	Mounting bar cap	1	26	605R-057	Elastic washer $\phi$ 12	1
9	605R-040	Mounting bar	1	27	605R-058	Spring pin	1
10	605R-041	Mounting bar spring	1	28	605R-059	Bolt M12×25	1
11	605R-042	Screw M8×15	1	29	605R-060	Locked Shaft	1
12	605R-043	Knob	1	30	605R-061	Ring $\phi$ 30	1
13	605R-044	Locked lever	1	31	605R-062	Washer	1
14	605R-045	Spring	1	32	605R-063	Nut M16	1
15	605R-046	Nut M10	3	33	605R-064	Bolt M12×80	4
16	605R-047	Flat Washer $\phi$ 10	3	34	605R-065	Elastic washer $\phi$ 12	4
17	605R-048	Locked plate	1	35	605R-066	Flat washer $\phi$ 12	4
18	605R-049	Lid	1				



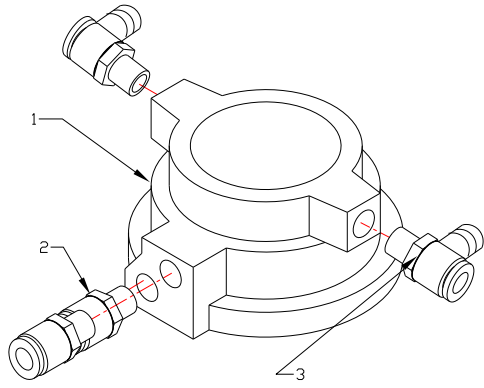
No.	Part No.	Description	Q'ty	No.	Part No.	Description	Q'ty
1	605R-067	Small Cylinder Assembly	2	11	605R-077	Bolt M16x45	1
2	605R-068	Bolt M12x45	4	12	605R-078	Washer	4
3	605R-069	Elastic washer $\phi$ 12	4	13	605R-079	Turntable Flange	1
4	605R-070	Flat washer $\phi$ 12	4	14	605R-080	Elastic washer $\phi$ 10	4
5	605R-071	Saddle	2	15	605R-081	Ring $\phi$ 12	2
6	605R-072	Turntable	1	16	605R-082	Bolt M10x95	4
7	605R-073	Slide	4	17	605R-083	Small Cylinder Bracket	2
8	605R-074	Clamp	4	18	605R-084	Flat washer $\phi$ 10	4
9	605R-075	Washer	1	19	605R-085	Sleeve	4
10	605R-076	Turntable Cap	1	20	605R-086	Ring $\phi$ 62	1



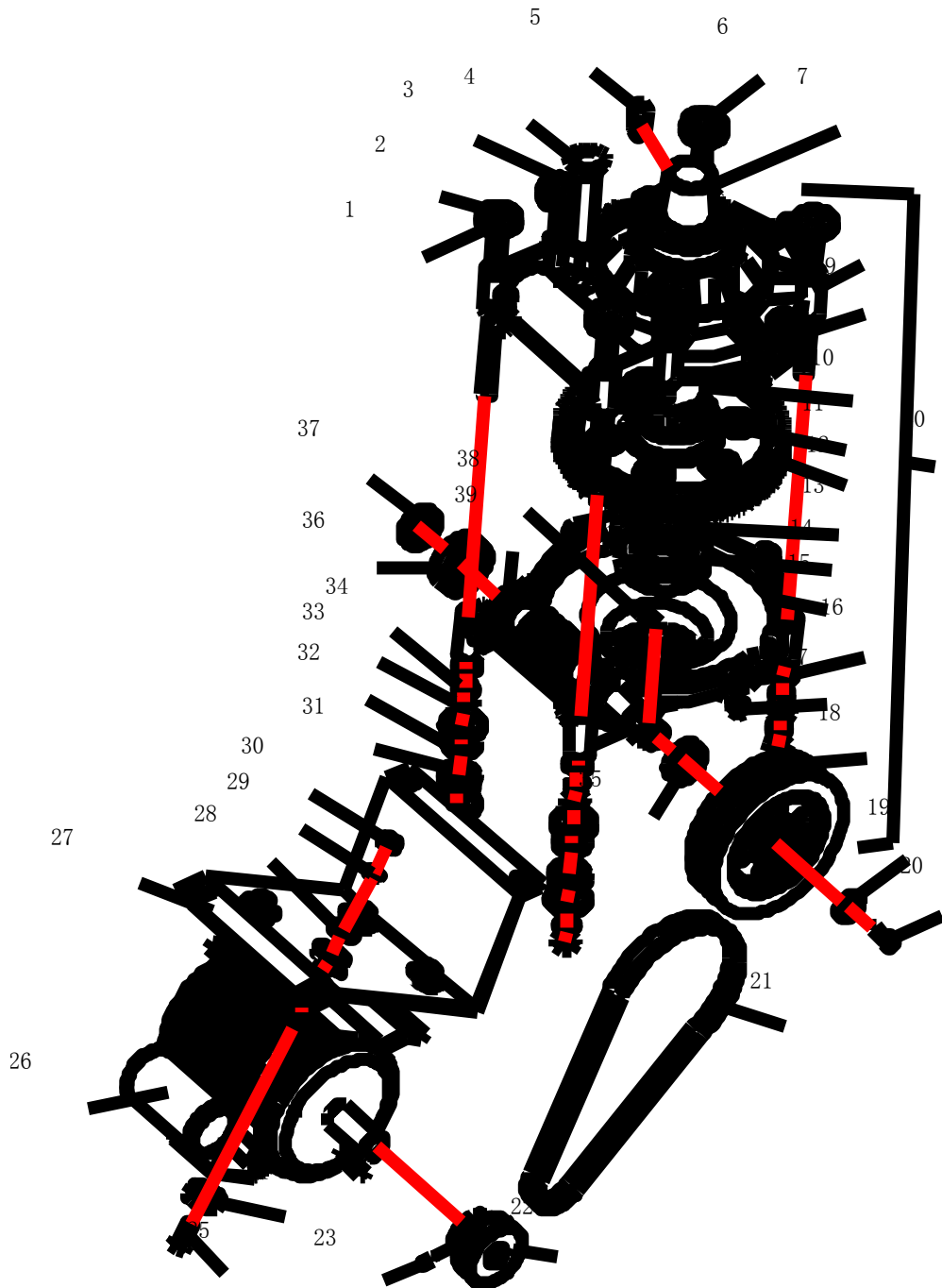
No.	Part No.	Description	Q'ty	No.	Part No.	Description	Q'ty
1	605R-087	Small Cylinder Lever	8	9	605R-095	O Ring $\phi$ 75x5.7	4
2	605R-088	Front cover of cylinder	2	10	605R-096	O Ring $\phi$ 16x2.4	2
3	605R-089	Anti-receding nut	16	11	605R-097	Cylinder Shaft	2
4	605R-090	Union 8-M10x1	3	12	605R-098	Cylinder Body	2
5	605R-091	O Ring $\phi$ 75x2.65	4	13	605R-099	Rear cover of cylinder	2
6	605R-092	Nut M12	2	14	605R-100	O Ring $\phi$ 20x2.65	2
7	605R-093	Elastic washer $\phi$ 12	2	15	605R-101	"T" Union	1
8	605R-094	Piston	2	16	605R-102	Y Ring 28x20x5	2



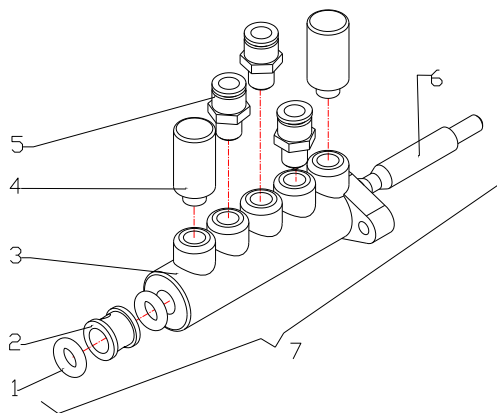
No.	Part No.	Description	Q'ty	No.	Part No.	Description	Q'ty
1	605R-103	Ring $\phi$ 28	1	16	605R-118	Cylinder bush	2
2	605R-104	O Ring $\phi$ 22 $\times$ 2.4	2	17	605R-119	Union 8-M10 $\times$ 1	2
3	605R-105	O Ring $\phi$ 16 $\times$ 2.4	1	18	605R-120	Cushion	1
4	605R-106	Y Ring 28 $\times$ 18 $\times$ 7	1	19	605R-121	Bead breaker spring	1
5	605R-107	Fixed lever	8	20	605R-122	Pivot	1
6	605R-108	Anti-receding nut M8	16	21	605R-123	Flat Washer $\phi$ 16	2
7	605R-109	O Ring $\phi$ 180 $\times$ 5.7	2	22	605R-124	Ring $\phi$ 16	2
8	605R-110	Nut	1	23	605R-125	Anti-receding nut M16	1
9	605R-111	Rear cover of cylinder	1	24	605R-126	Bead breaker arm	1
10	605R-112	Piston	1	25	605R-127	Lever knob	1
11	605R-113	Nut	1	26	605R-128	Anti-receding nut M12	1
12	605R-114	Cylinder Body	1	27	605R-129	Flat Washer $\phi$ 12	1
13	605R-115	O Ring $\phi$ 180 $\times$ 3.1	2	28	605R-130	Bead breaker	1
14	605R-116	Bolt M12 $\times$ 30	2	29	605R-131	Piston Lever	1
15	605R-117	Elastic washer $\phi$ 12	2				



No.	Part No.	Description	Q'ty
1	605R-132	Distributor assembly	1
2	605R-133	Union 10-01	2
3	605R-134	"T" Union 6-M10x1	2

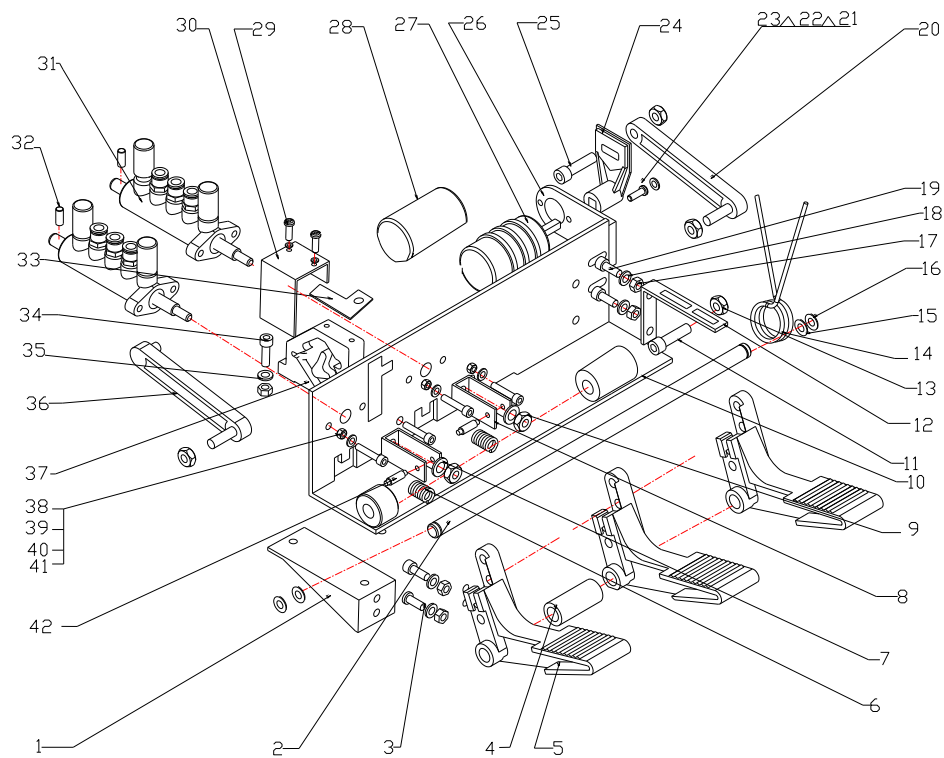


No.	Part No.	Description	Q'ty	No.	Part No.	Description	Q'ty
1	605R-135	Washer	16	21	605R-155	Belt	1
2	605R-136	Bolt	2	22	605R-156	Motor pulley	1
3	605R-137	Bolt	2	23	605R-157	Screw	1
4	605R-138	Oiling connector	1	24	605R-158	Bolt	4
5	605R-139	Fixing pin	1	25	605R-159	Motor shock absorber	4
6	605R-140	Bolt	2	26	605R-160	Motor	1
7	605R-141	Wormgear shaft	1	27	605R-161	Motor cradle	1
8	605R-142	Upper cover of gearbox	1	28	605R-162	Flat washer	4
9	605R-143	Bolt	5	29	605R-163	Spring washer	4
10	605R-144	Bearing	1	30	605R-164	Nut	4
11	605R-145	Fixing pin	1	31	605R-165	Motor shock absorber	2
12	605R-146	Wormgear	1	32	605R-166	Motor shock absorber	6
13	605R-147	Ring	1	33	605R-167	Nut	12
14	605R-148	Bearing	1	34	605R-168	Grower washer	10
15	605R-149	Lower cover of gearbox	1	35	605R-169	Oil seal	1
16	605R-150	Flat washer	10	36	605R-170	Bearing	2
17	605R-151	Nut	5	37	605R-171	Seal	1
18	605R-152	Big pulley	1	38	605R-172	Fixing pin	1
19	605R-153	Washer	1	39	605R-173	Worm	1
20	605R-154	Bolt	1	40	605R-174	Gearbox Assembly	1



No.	Part No.	Description	Q'ty
1	605R-175	O Ring $\phi 17.4 \times 4$	6
2	605R-176	Spacer of valve	5
3	605R-177	Distribution valve	1
4	605R-178	Silencer	2
5	605R-179	Quick Union 8-01	3
6	605R-180	Valve lever	1
7	605R-181	Valve Assembly	1





No.	Part No.	Description	Q'ty	No.	Part No.	Description	Q'ty
1	605R-182	Bracket of double cam	1	22	605R-203	Flat Washer $\phi$ 4	1
2	605R-183	Pin	1	23	605R-204	Elastic washer $\phi$ 4	1
3	605R-184	Bolt M6x15	1	24	605R-205	Reverse Lever	1
4	605R-185	Spacer	1	25	605R-206	Bolt	1
5	605R-186	Pedal	3	26	605R-207	Reverser support	1
6	605R-187	Pedal Spring	2	27	605R-208	Reverser	1
7	605R-188	Valve lever plate	2	28	605R-209	Reverser Guard	1
8	605R-189	Anti-receding nut M8	6	29	605R-210	Bolt M3x15	2
9	605R-190	Washer	2	30	605R-211	Shield	1
10	605R-191	Bracket of pedal	1	31	605R-212	Valve Assembly	2
11	605R-192	Bolt M8x50	1	32	605R-213	Pin	1
12	605R-193	Confining Slab	1	33	605R-214	Leaf Spring	1
13	605R-194	Spring	1	34	605R-215	Bolt M6x20	2
14	605R-195	Nut M8	2	35	605R-216	Elastic washer $\phi$ 6	6
15	605R-196	Flat Washer $\phi$ 12	2	36	605R-217	Connecting Rod	1
16	605R-197	Ring $\phi$ 12	2	37	605R-218	Double Cam	1
17	605R-198	Nut M6	8	38	605R-219	Bolt M5x25	4
18	605R-199	Flat Washer $\phi$ 6	6	39	605R-220	Flat Washer $\phi$ 5	4
19	605R-200	Bolt M6x15	5	40	605R-221	Elastic washer $\phi$ 5	4
20	605R-201	Reverser Connecting Rod	1	41	605R-222	Nut M5	4
21	605R-202	Bolt M4x10	1	42	605R-223	Pin	2