

INSTALLATION, OPERATION & MAINTENANCE MANUAL

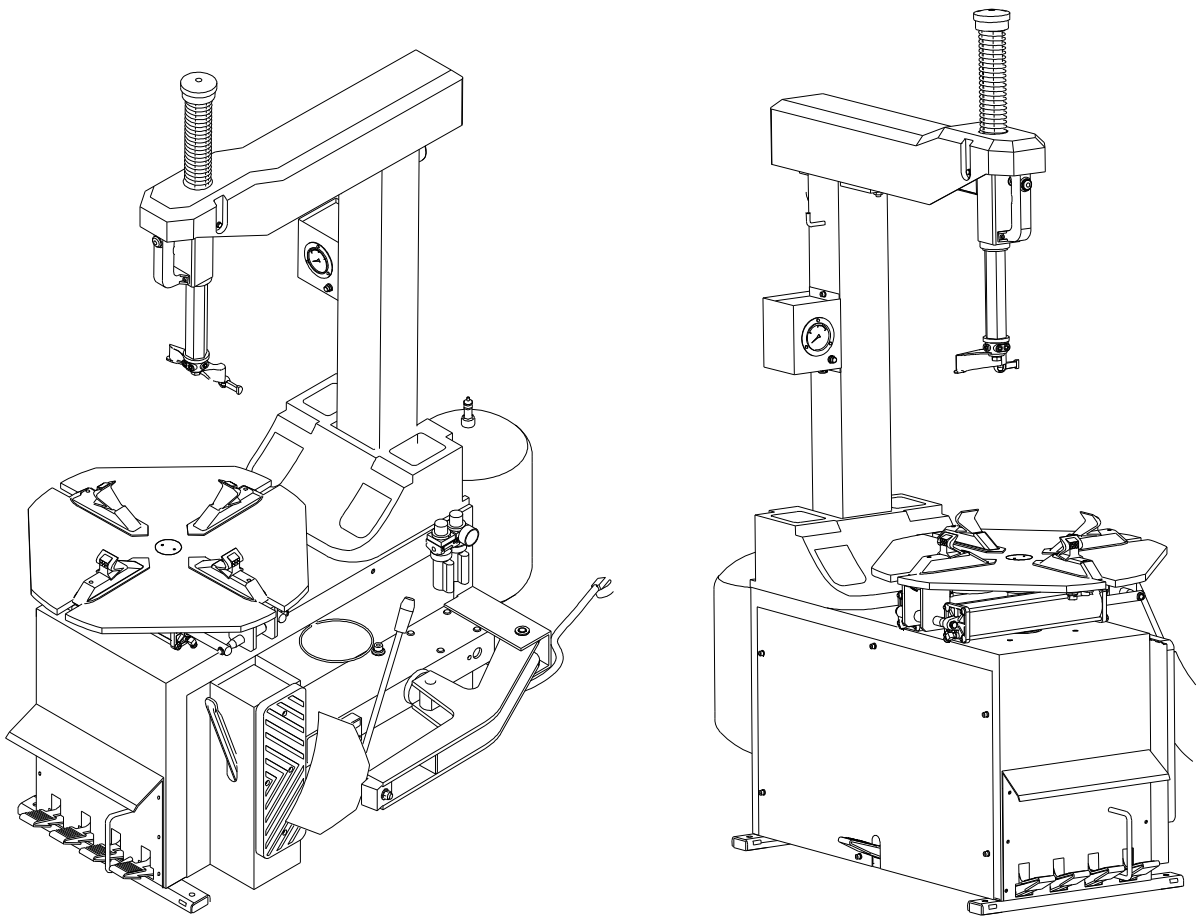


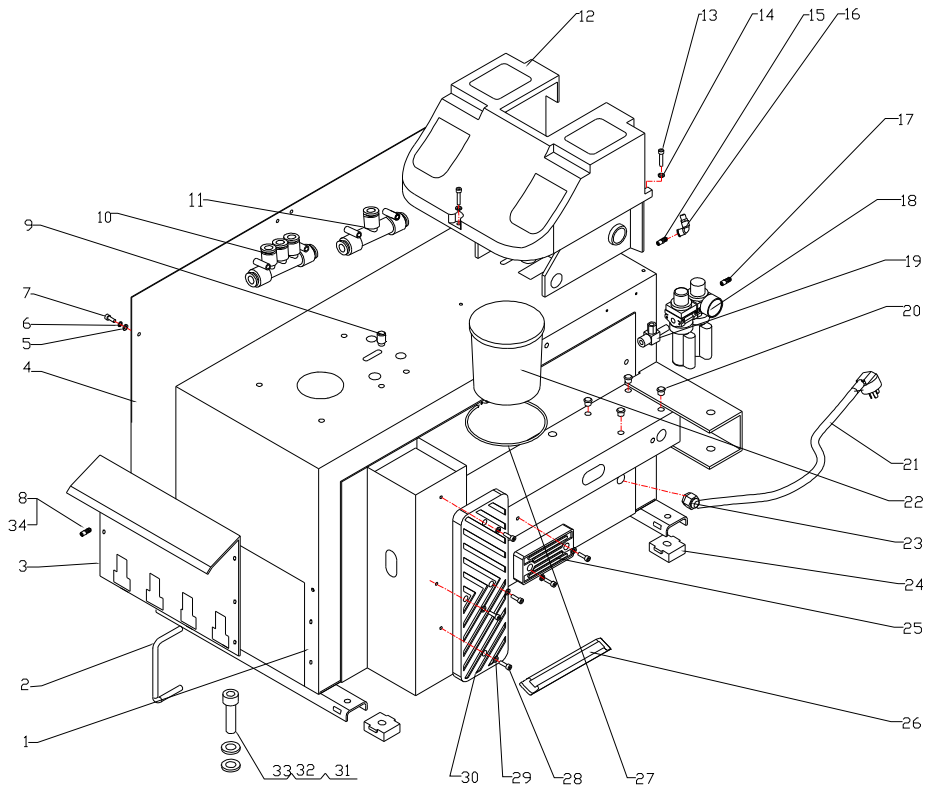
TIRE CHANGER

Model No.: YLT-721

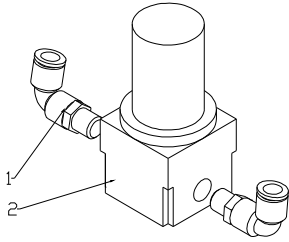
READ THIS ENTIRE MANUAL BEFORE OPERATION BEGINS

Spare parts

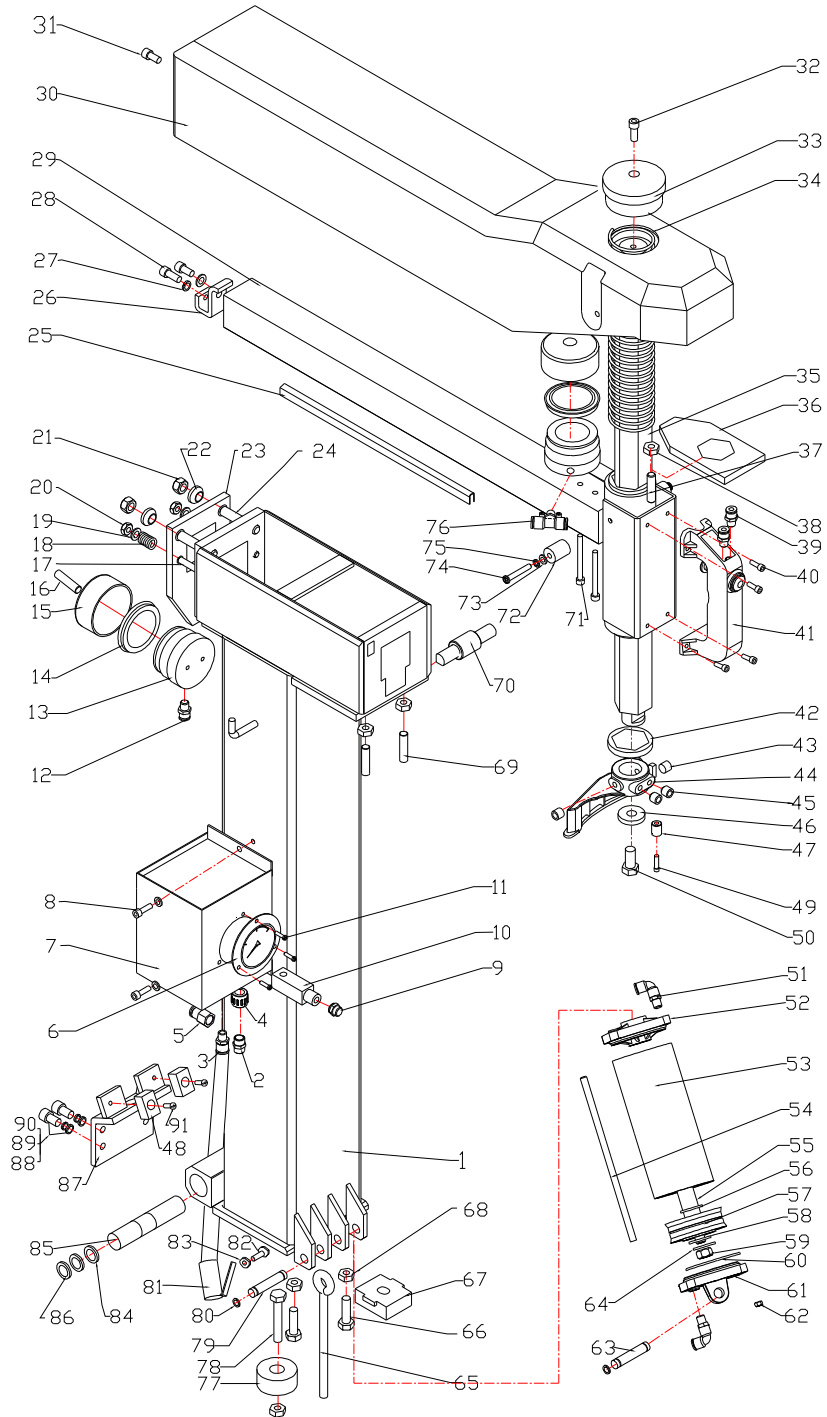




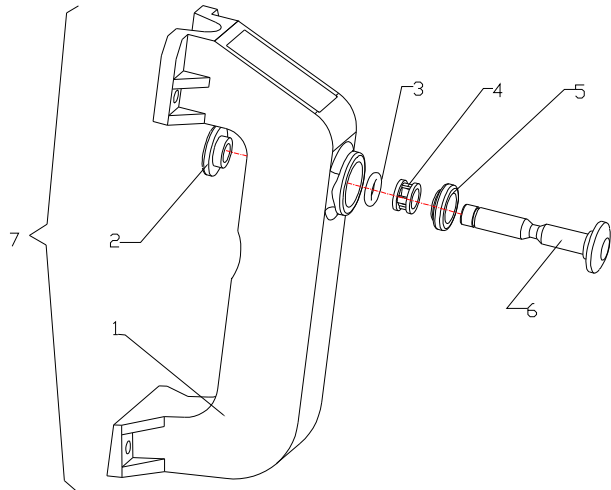
No.	Part No.	Description	Q'ty	No.	Part No.	Description	Q'ty
1	721R-001	Cabinet	1	18	721R-018	Distributor of oil and water	1
2	721R-002	Shield bar	1	19	721R-019	Union	1
3	721R-003	Pedal guard	1	20	721R-020	Hole stopper $\phi 12$	4
4	721R-004	Side cover	1	21	721R-021	Power Lead	1
5	721R-005	Flat Washer $\phi 6$	5	22	721R-022	Water box	1
6	721R-006	Elastic Washer $\phi 6$	5	23	721R-023	Loop	1
7	721R-007	Bolt M6 \times 15	5	24	721R-024	Rubber foot	4
8	721R-008	Bolt M6 \times 10	7	25	721R-025	Small wheel support	1
9	721R-009	Oiling Pipe	1	26	721R-026	Crowbar	1
10	721R-010	Union	1	27	721R-027	Water box spring	1
11	721R-011	Union	1	28	721R-028	Bolt M6 \times 20	6
12	721R-012	Toolbox	1	29	721R-029	Flat Washer $\phi 6$	6
13	721R-013	Bolt M6 \times 20	3	30	721R-030	Big wheel support	1
14	721R-014	Flat Washer $\phi 6$	3	31	721R-031	Bolt M10 \times 20	4
15	721R-015	Union	1	32	721R-032	Flat Washer $\phi 10$	4
16	721R-016	Union 8-02	1	33	721R-033	Elastic washer $\phi 10$	4
17	721R-017	Pagoda union	1	34	721R-034	Flat Washer $\phi 6$	7



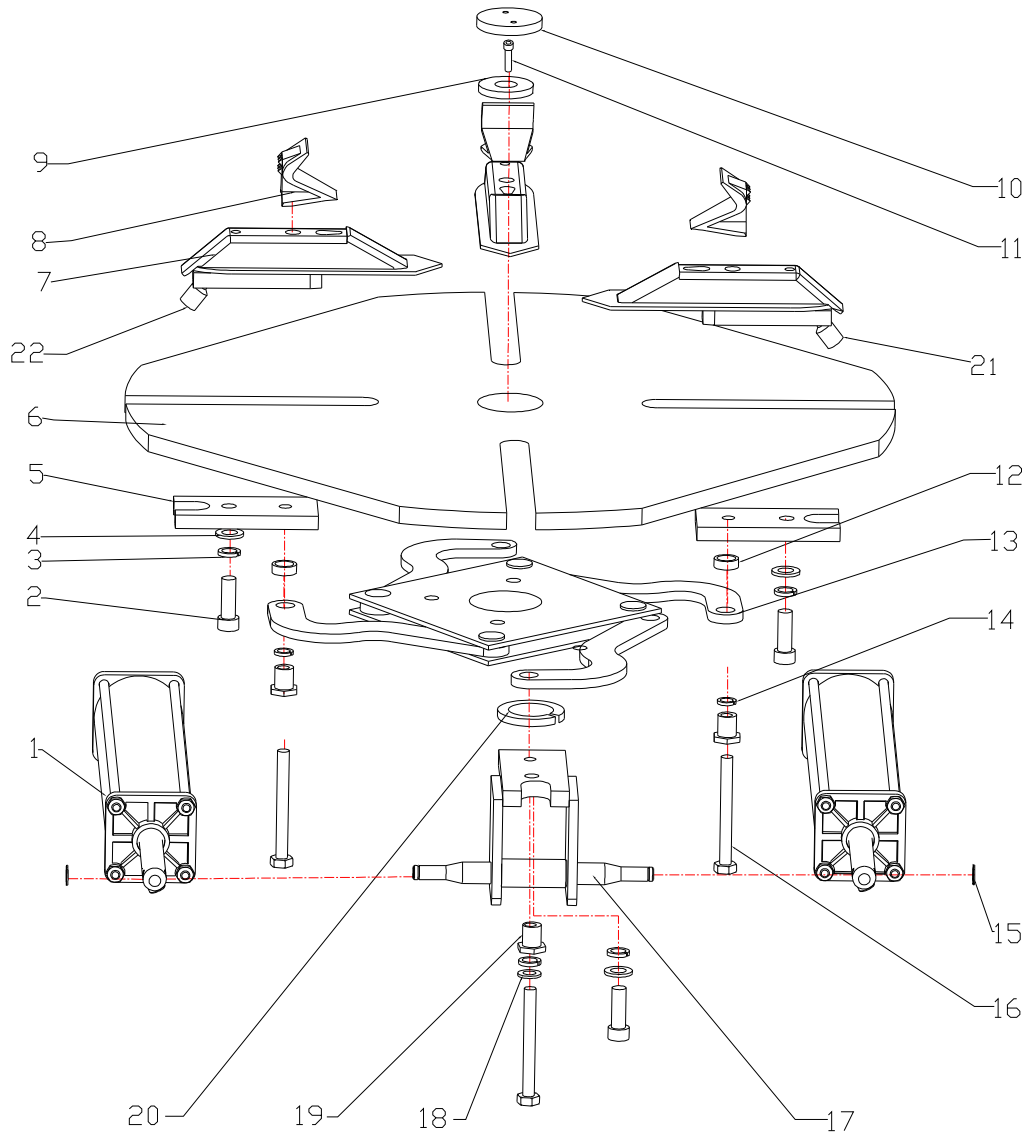
No.	Part No.	Description	Q'ty
1	721R-035	Union	2
2	721R-036	decompression tap	1



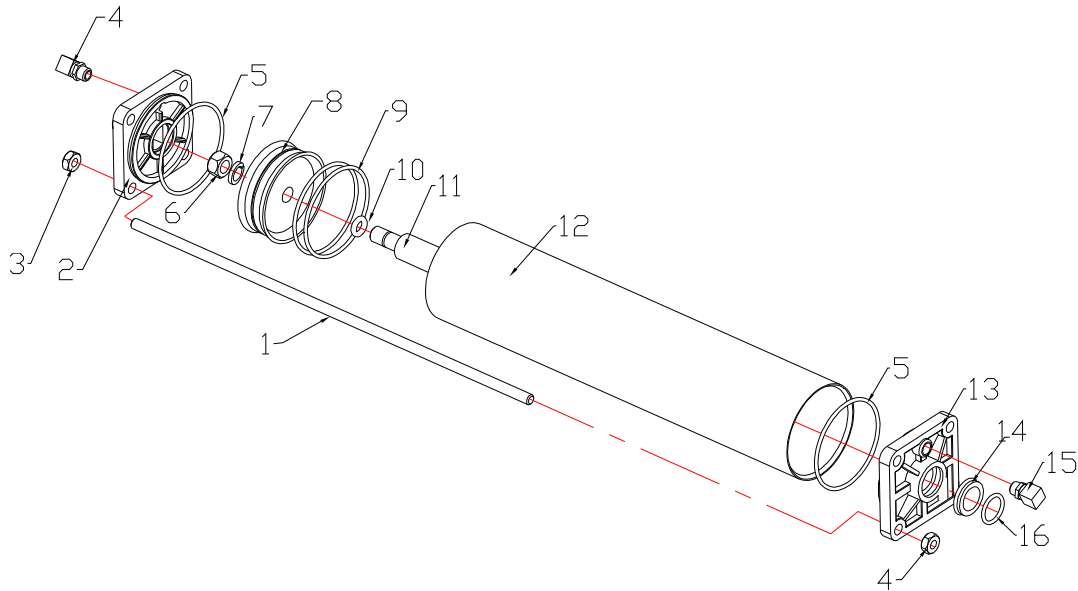
No.	Part No.	Description	Q'ty	No.	Part No.	Description	Q'ty
1	721R-037	Vertical arm	1	47	721R-083	Peak Roll	1
2	721R-038	Connector G1/4	1	48	721R-084	Rubber cushion	2
3	721R-039	Quick union 8-01	1	49	721R-085	Spring pin	1
4	721R-040	Placket nut	1	50	721R-086	Screw M12×25	1
5	721R-041	Union 8-02	1	51	721R-087	Union 6-01	2
6	721R-042	Pressure gauge φ60	1	52	721R-088	Rear cover of cylinder	1
7	721R-043	Gauge box	1	53	721R-089	Tilting cylinder Body	1
8	721R-044	Bolt M6×20	3	54	721R-090	Cylinder Lever	4
9	721R-045	Deflation button M13×1	1	55	721R-091	Cylinder Shaft	1
10	721R-046	Deflation valve	1	56	721R-092	O ring 20×2.65	1
11	721R-047	Bolt M4×10	3	57	721R-093	Piston	1
12	721R-048	Quick union 6-01	1	58	721R-094	Seal φ28×20×5	1
13	721R-049	Locking cylinder body	2	59	721R-095	Anti-receding nut M12	1
14	721R-050	Y ring 66×51×8.8	2	60	721R-096	O ring 20×2.65	2
15	721R-051	Locking cylinder cover	2	61	721R-097	Front cover of cylinder	1
16	721R-052	Screw M10×30	1	62	721R-098	Anti-receding nut M8	8
17	721R-053	Bolt M8×65	2	63	721R-099	Underside fixed pin	1
18	721R-054	Spring	2	64	721R-100	Flat Washer φ12	3
19	721R-055	Flat Washer φ8	2	65	721R-101	Limited position lever	1
20	721R-056	Anti-receding nut M8	2	66	721R-102	Bolt M10×35	1
21	721R-057	Anti-receding nut M12	2	67	721R-103	Rubber cushion	1
22	721R-058	Adjustment cone	2	68	721R-104	Anti-receding nut M10	3
23	721R-059	Locked slab	1	69	721R-105	Screw M10×40	2
24	721R-060	Bolt M12×50	2	70	721R-106	Roller	1
25	721R-061	Guide	1	71	721R-107	Bolt M6×65	2
26	721R-062	Shield pothook	1	72	721R-108	Bushing	2
27	721R-063	Bolt M8×15	1	73	721R-109	Elastic washer φ6	5
28	721R-064	Bolt M8×30	1	74	721R-110	Bolt M6×40	2
29	721R-065	Horizontal Arm	1	75	721R-111	Flat Washer φ6	5
30	721R-066	Shield	1	76	721R-112	Union	1
31	721R-067	Bolt M8×20	1	77	721R-113	Cushion	1
32	721R-068	Bolt M8×20	1	78	721R-114	Bolt	1
33	721R-069	Mounting bar cap	1	79	721R-115	Top fixed pin	1
34	721R-070	Mounting bar spring	1	80	721R-116	Ring φ12	4
35	721R-071	Mounting bar	1	81	721R-117	Collet rubber pipe	1
36	721R-072	Locked slab	1	82	721R-118	Screw	2
37	721R-073	Screw M10×55	1	83	721R-119	Nut M12	2
38	721R-074	Nut M10	5	84	721R-120	Flat Washer φ30	1
39	721R-075	Union 6-01	2	85	721R-121	Pivot	1
40	721R-076	Bolt M5×15	4	86	721R-122	Round nut M30X1.5X8	1
41	721R-077	Locked handle	1	87	721R-123	Limited position slab	1
42	721R-078	Shock absorber	1	88	721R-124	Bolt M10×16	4
43	721R-079	Screw M12×10	2	89	721R-125	Flat Washer φ10	4
44	721R-080	Mounting head	1	90	721R-126	Elastic washer φ10	4
45	721R-081	Screw M12×15	2	91	721R-127	Bolt M6×16	2
46	721R-082	Washer	1				



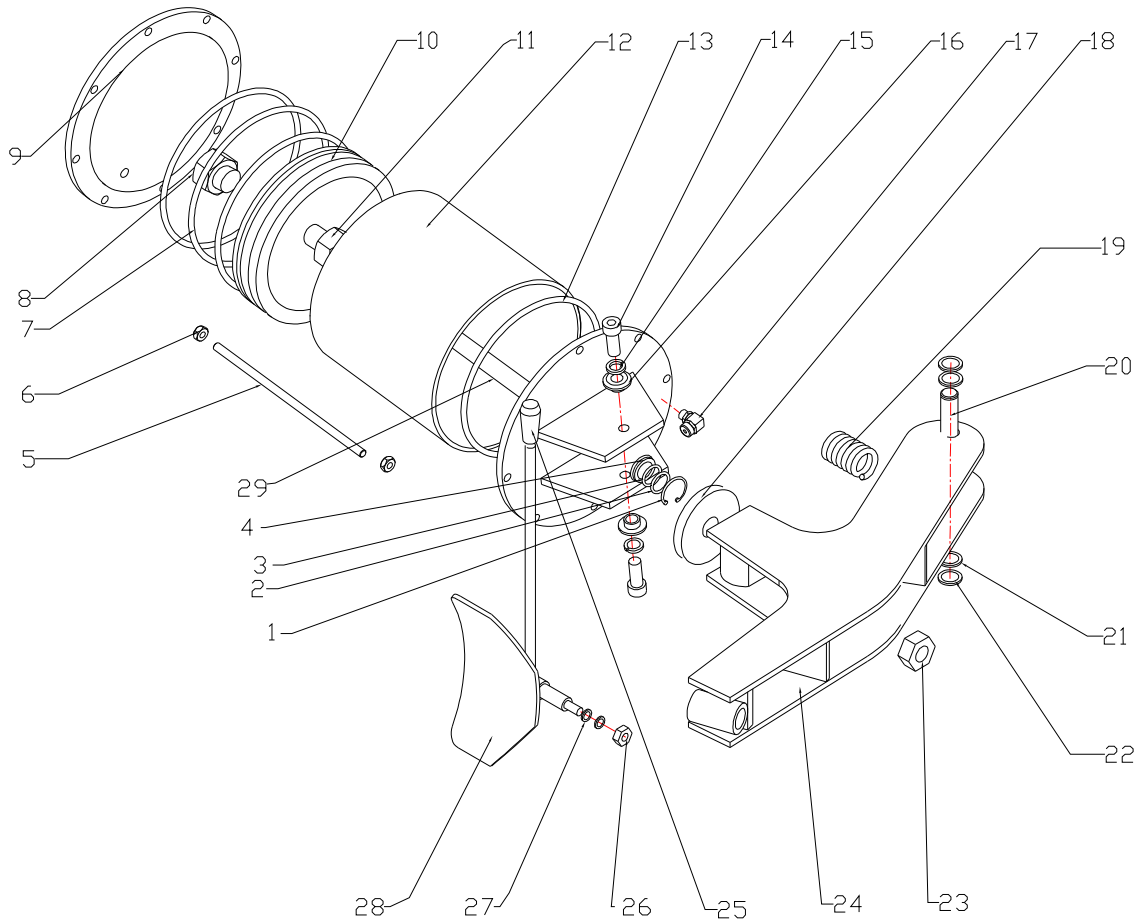
No.	Part No.	Description	Q'ty
1	721R-128	Locked handle	1
2	721R-129	Valve cap	1
3	721R-130	O ring 8×2.65	4
4	721R-131	Spacer of valve	3
5	721R-132	Valve cover	1
6	721R-133	Valve rod	1
7	721R-134	Locked handle assembly	1



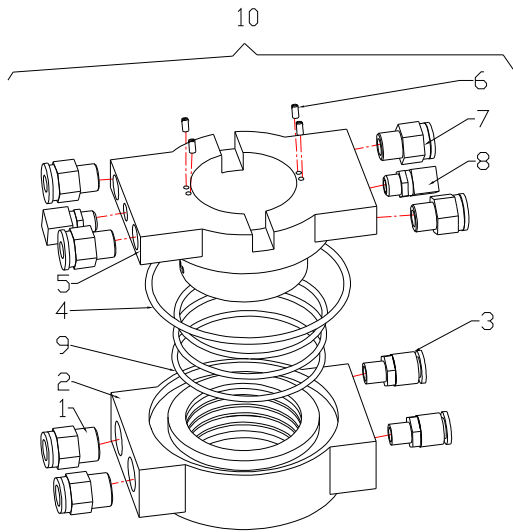
No.	Part No.	Description	Q'ty	No.	Part No.	Description	Q'ty
1	721R-135	Small Cylinder Assembly	2	12	721R-146	Washer	4
2	721R-136	Bolt M12×45	4	13	721R-147	Turntable Flange	1
3	721R-137	Elastic washer φ12	4	14	721R-148	Elastic washer φ10	4
4	721R-138	Flat washer φ12	4	15	721R-149	Ring φ10	2
5	721R-139	Saddle	2	16	721R-150	Bolt M10×95	4
6	721R-140	Turntable	1	17	721R-151	Small Cylinder Bracket	2
7	721R-141	Slide	4	18	721R-152	Flat washer φ10	4
8	721R-142	Clamp	4	19	721R-153	Sleeve	4
9	721R-143	Washer	1	20	721R-154	Ring φ62	1
10	721R-144	Turntable Cap	1	21	721R-155	Quick union 10-02	2
11	721R-145	Bolt M16×45	1	22	721R-156	Union 10-02	2



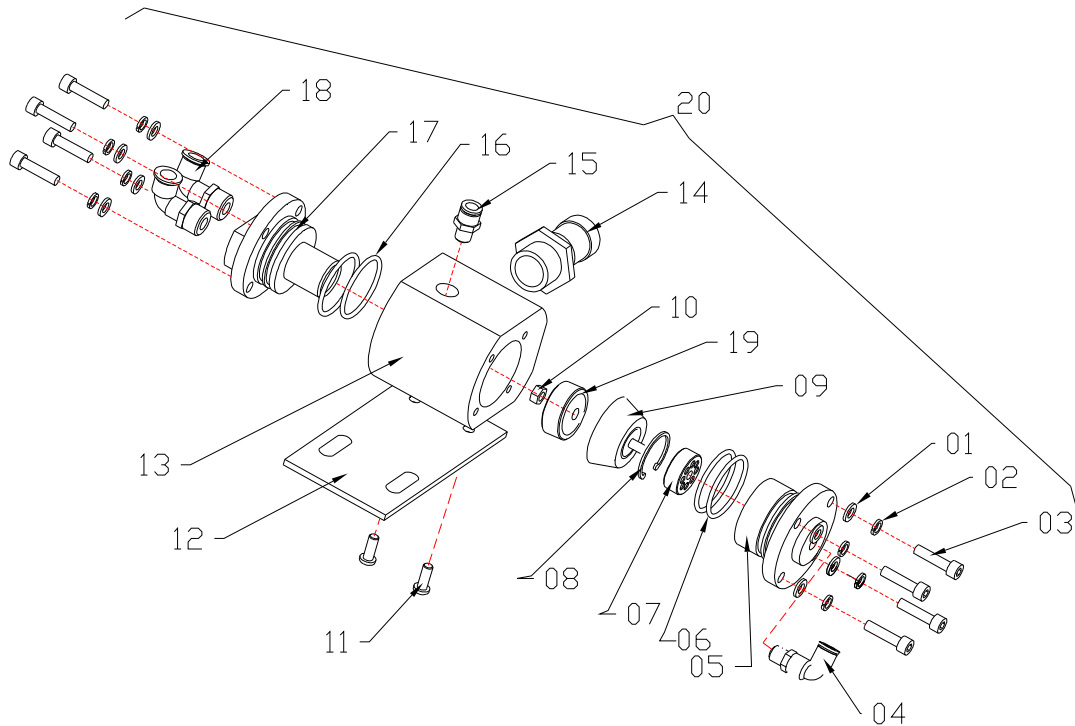
No.	Part No.	Description	Q'ty	No.	Part No.	Description	Q'ty
1	721R-157	Small Cylinder Lever	8	9	721R-165	O Ring φ 75×5.7	4
2	721R-158	Front cover of cylinder	2	10	721R-166	O Ring φ 16×2.4	2
3	721R-159	Anti-receding nut	16	11	721R-167	Cylinder Shaft	2
4	721R-160	Union 8-M10×1	3	12	721R-168	Cylinder Body	2
5	721R-161	O Ring φ 75×2.65	4	13	721R-169	Rear cover of cylinder	2
6	721R-162	Nut M12	2	14	721R-170	O Ring φ 20×2.65	2
7	721R-163	Elastic washer φ 12	2	15	721R-171	"T" Union	1
8	721R-164	Piston	2	16	721R-172	Y Ring 28×20×5	2



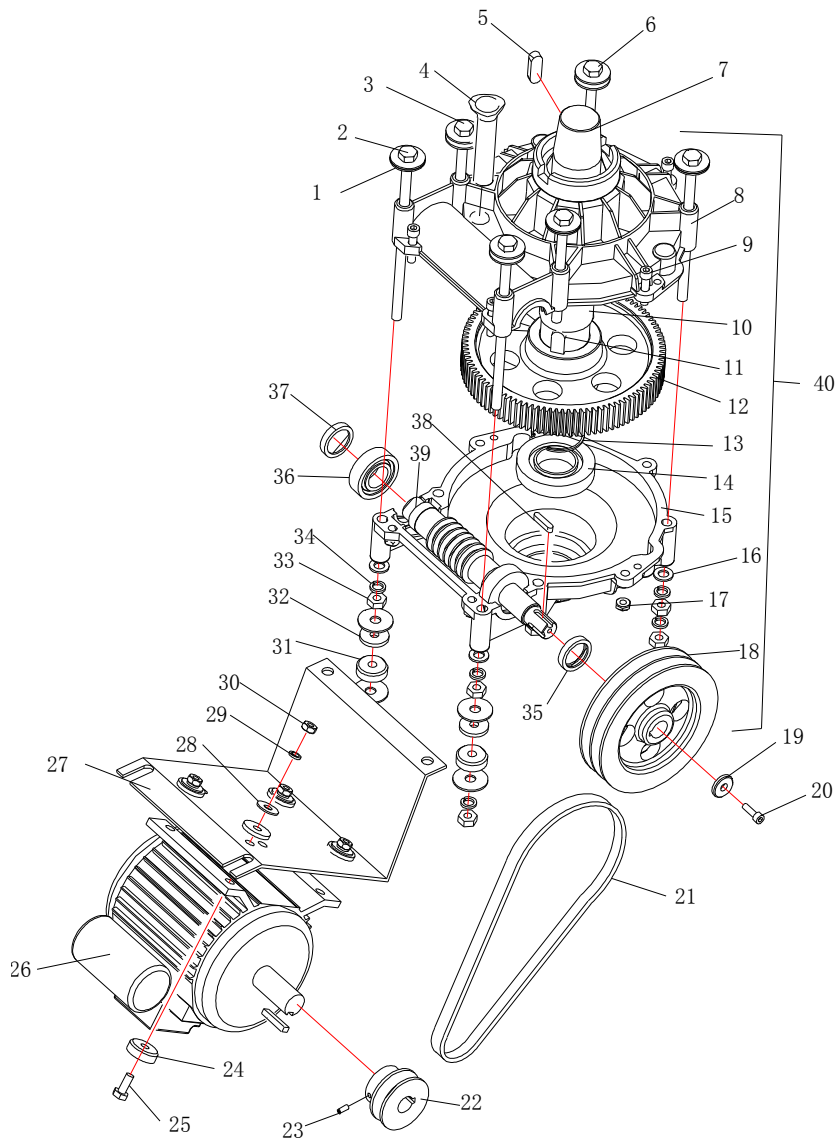
No.	Part No.	Description	Q'ty	No.	Part No.	Description	Q'ty
1	721R-173	Ring ϕ 28	1	16	721R-188	Cylinder bush	2
2	721R-174	O Ring ϕ 22 \times 2.4	2	17	721R-189	Union 8-M10 \times 1	2
3	721R-175	O Ring ϕ 16 \times 2.4	1	18	721R-190	Cushion	1
4	721R-176	Y Ring 28 \times 18 \times 7	1	19	721R-191	Bead breaker spring	1
5	721R-177	Fixed lever	8	20	721R-192	Pivot	1
6	721R-178	Anti-receding nut M8	16	21	721R-193	Flat washer ϕ 16	2
7	721R-179	O Ring ϕ 180 \times 5.7	2	22	721R-194	Ring ϕ 16	2
8	721R-180	Nut	1	23	721R-195	Anti-receding nut M16	1
9	721R-181	Rear cover of cylinder	1	24	721R-196	Bead breaker arm	1
10	721R-182	Piston	1	25	721R-197	Lever knob	1
11	721R-183	Nut	1	26	721R-198	Anti-receding nut M12	1
12	721R-184	Cylinder Body	1	27	721R-199	Flat washer ϕ 12	1
13	721R-185	O Ring ϕ 180 \times 3.1	2	28	721R-200	Bead breaker	1
14	721R-186	Bolt M12 \times 30	2	29	721R-201	Piston Lever	1
15	721R-187	Elastic washer ϕ 12	2	30			



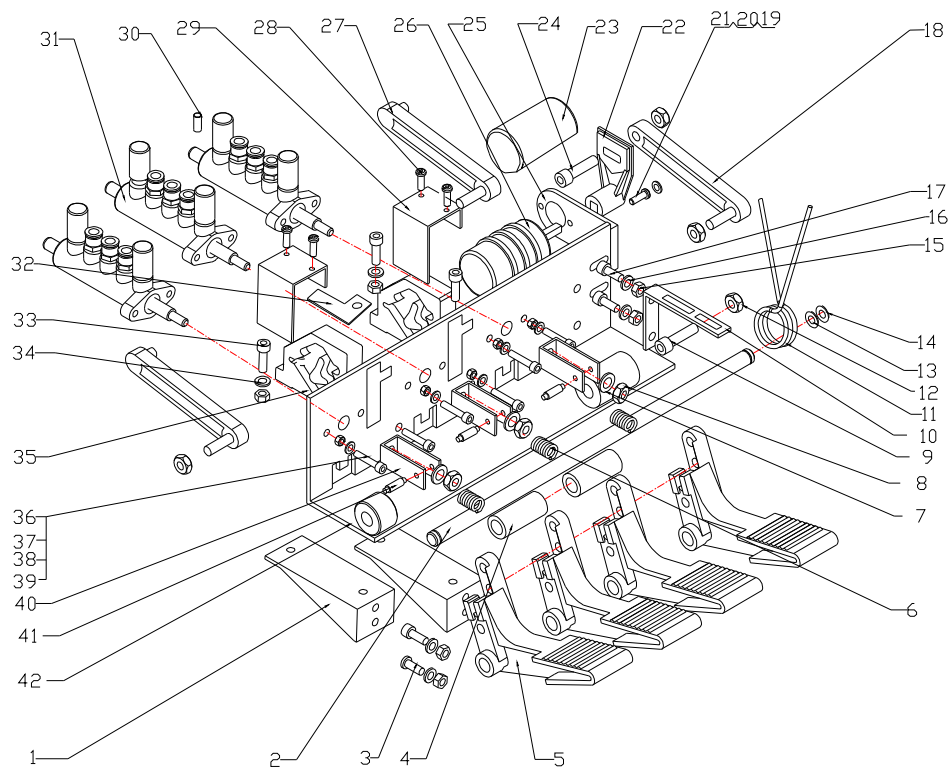
No.	Part No.	Description	Q'ty
1	721R-202	Union 10-03	2
2	721R-203	Distributor outside	1
3	721R-204	Union 10-01	2
4	721R-205	O Ring $\phi 65 \times 3.1$	3
5	721R-206	Distributor inside	1
6	721R-207	Union 10-02	4
7	721R-208	Screw	4
8	721R-209	Union 8-01	2
9	721R-210	O Ring $\phi 90 \times 3.1$	1
10	721R-211	Distributor assembly	1



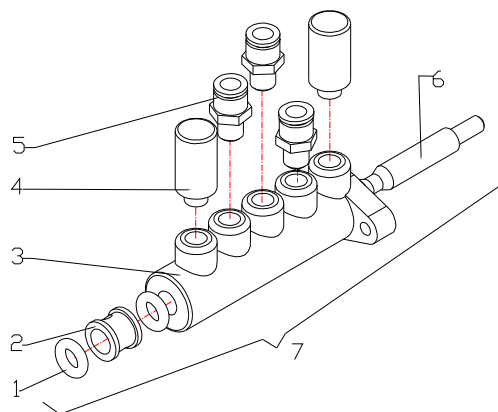
No.	Part No.	Description	Q'ty	No.	Part No.	Description	Q'ty
1	721R-212	Flat washer ϕ 6	8	11	721R-222	Bolt M6 \times 16	2
2	721R-213	Elastic washer ϕ 6	8	12	721R-223	Fixed bracket	1
3	721R-214	Bolt M6 \times 20	8	13	721R-224	Valve body	1
4	721R-215	Union 8-01	1	14	721R-225	Connector	1
5	721R-216	Right cover	1	15	721R-226	Union 8-03	1
6	721R-217	O Ring ϕ 40 \times 2.65	2	16	721R-227	O Ring ϕ 40 \times 2.65	2
7	721R-218	Seal washer	1	17	721R-228	Left cover	1
8	721R-219	Ring ϕ 28	1	18	721R-229	Union 14-03	2
9	721R-220	Piston with seal	1	19	721R-230	Seal	1
10	721R-221	Nut M6	1	20	721R-231	Distributor valve assembly	1



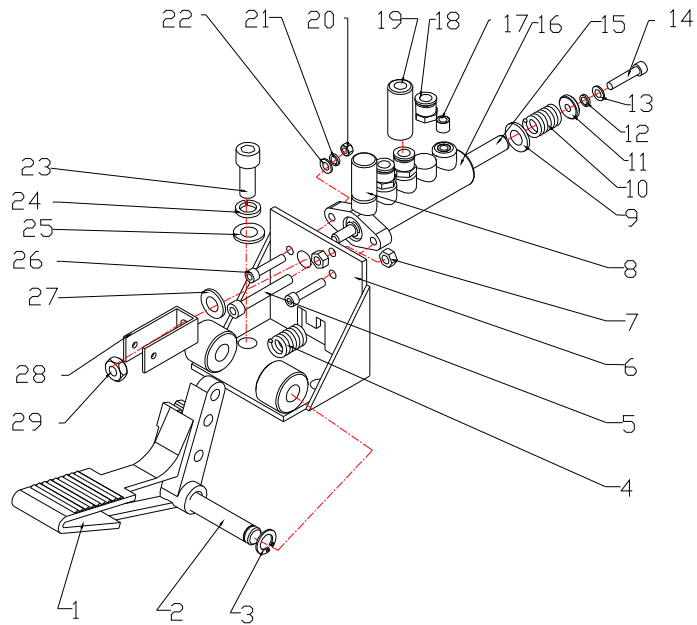
No.	Part No.	Description	Q'ty	No.	Part No.	Description	Q'ty
1	721R-232	Washer	16	21	721R-252	Belt	1
2	721R-233	Bolt	2	22	721R-253	Motor pulley	1
3	721R-234	Bolt	2	23	721R-254	Screw	1
4	721R-235	Oiling connector	1	24	721R-255	Bolt	4
5	721R-236	Fixing pin	1	25	721R-256	Motor shock absorber	4
6	721R-237	Bolt	2	26	721R-257	Motor	1
7	721R-238	Wormgear shaft	1	27	721R-258	Motor cradle	1
8	721R-239	Upper cover of gearbox	1	28	721R-259	Flat washer	4
9	721R-240	Bolt	5	29	721R-260	Spring washer	4
10	721R-241	Bearing	1	30	721R-261	Nut	4
11	721R-242	Fixing pin	1	31	721R-262	Motor shock absorber	2
12	721R-243	Wormgear	1	32	721R-263	Motor shock absorber	6
13	721R-244	Ring	1	33	721R-264	Nut	12
14	721R-245	Bearing	1	34	721R-265	Grower washer	10
15	721R-246	Lower cover of gearbox	1	35	721R-266	Oil seal	1
16	721R-247	Flat washer	10	36	721R-267	Bearing	2
17	721R-248	Nut	5	37	721R-268	Seal	1
18	721R-249	Big pulley	1	38	721R-269	Fixing pin	1
19	721R-250	Washer	1	39	721R-270	Worm	1
20	721R-251	Bolt	1	40	721R-271	Gearbox Assembly	1



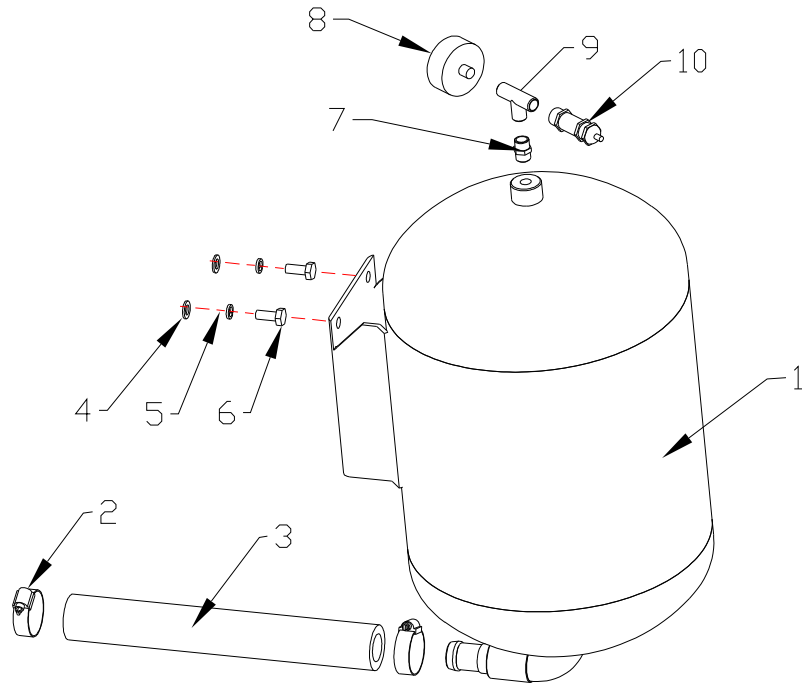
No.	Part No.	Description	Q'ty	No.	Part No.	Description	Q'ty
1	721R-272	Bracket of double cam	1	22	721R-293	Reverse Lever	1
2	721R-273	Pin	1	23	721R-294	Reverser Guard	1
3	721R-274	Bolt M6×15	2	24	721R-295	Bolt	1
4	721R-275	Spacer	2	25	721R-296	Reverser support	1
5	721R-276	Pedal	4	26	721R-297	Reverser	1
6	721R-277	Pedal Spring	3	27	721R-298	Connecting Rod	2
7	721R-278	Washer	2	28	721R-299	Bolt M3×15	4
8	721R-279	Anti-receding nut M8	8	29	721R-300	Shield	2
9	721R-280	Bolt M8×50	1	30	721R-301	Pin	1
10	721R-281	Confining Slab	1	31	721R-302	Valve Assembly	3
11	721R-282	Spring	1	32	721R-303	Leaf Spring	2
12	721R-283	Nut M8	2	33	721R-304	Bolt M6×20	4
13	721R-284	Flat Washer ϕ 12	2	34	721R-305	Elastic Washer ϕ 6	6
14	721R-285	Ring ϕ 12	2	35	721R-306	Double Cam	2
15	721R-286	Bolt M6×15	4	36	721R-307	Bolt M5×25	6
16	721R-287	Flat Washer ϕ 6	8	37	721R-308	Flat Washer ϕ 5	6
17	721R-288	Nut M6	12	38	721R-309	Elastic washer ϕ 5	6
18	721R-289	Reverser Connecting Rod	1	39	721R-310	Nut M5	6
19	721R-290	Bolt M4×10	1	40	721R-311	Valve lever plate	3
20	721R-291	Flat Washer ϕ 4	1	41	721R-312	Pin	3
21	721R-292	Elastic washer ϕ 4	1	42	721R-313	Bracket of pedal	1



No.	Part No.	Description	Q'ty
1	721R-314	O Ring ϕ 17.4×4	6
2	721R-315	Spacer of valve	5
3	721R-316	Distribution valve	1
4	721R-317	Silencer	2
5	721R-318	Quick Union 8-01	3
6	721R-319	Valve lever	1
7	721R-320	Valve Assembly	1



No.	Part No.	Description	Q'ty	No.	Part No.	Description	Q'ty
1	721R-321	Pedal	1	16	721R-336	Distribution valve	1
2	721R-322	Pin	1	17	721R-337	Stopper	1
3	721R-323	Ring	2	18	721R-338	Union	3
4	721R-324	Spring	1	19	721R-339	Unilateral valve	1
5	721R-325	Bolt	1	20	721R-340	Nut	2
6	721R-326	Bolt	1	21	721R-341	Elastic washer	2
7	721R-327	Nut	2	22	721R-342	Flat washer	2
8	721R-328	Silencer	1	23	721R-343	Bolt	2
9	721R-329	Washer	1	24	721R-344	Elastic washer	2
10	721R-330	Spring	1	25	721R-345	Flat washer	2
11	721R-331	Washer	1	26	721R-346	Bolt	2
12	721R-332	Flat washer	1	27	721R-347	Washer	1
13	721R-333	Elastic washer	1	28	721R-348	Valve lever plate	1
14	721R-334	Bolt	1	29	721R-349	Anti-receding nut	1
15	721R-335	Valve lever	1				



No.	Part No.	Description	Q'ty	No.	Part No.	Description	Q'ty
1	721R-350	Tank	1	6	721R-355	Bolt M8×20	2
2	721R-351	Hoop	1	7	721R-356	Connector G1/4	1
3	721R-352	Rubber pipe	1	8	721R-357	Pressure gauge	1
4	721R-353	Flat washer $\phi 8$	2	9	721R-358	Connector G1/4	1
5	721R-354	Elastic washer $\phi 8$	2	10	721R-359	Safety valve 10MPAG1/4	1