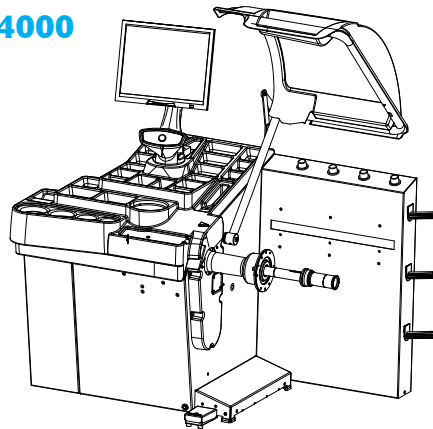


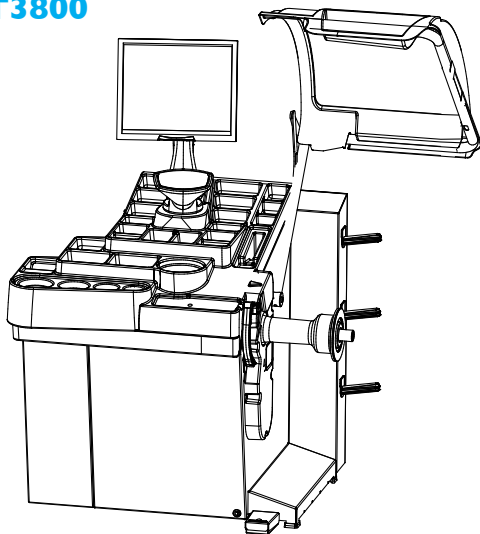
MT4000 - MT3800 - MT3500

Pezzi di ricambio / Spare parts list

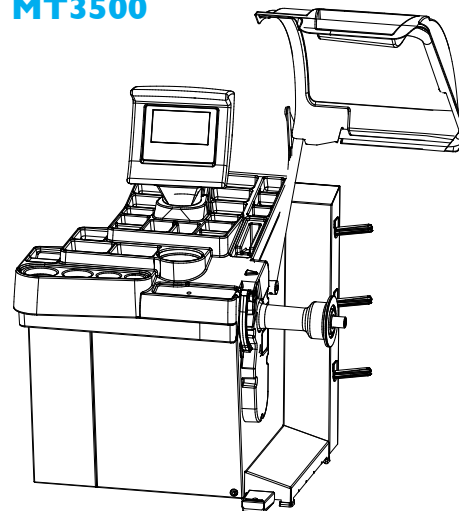
MT4000



MT3800



MT3500



Code: 4-118380E

Production date: 02 / 2015



I

Sul presente documento sono stati evidenziati con colore grigio i ricambi consigliati e indicati in grassetto i codici che sono variati rispetto a quelli riportati nella precedente versione del 01/15

EN

In this document, the recommended spare parts have been highlighted in gray, while in bold you find those codes which are different if compared with the previous version dated 01/15

DE

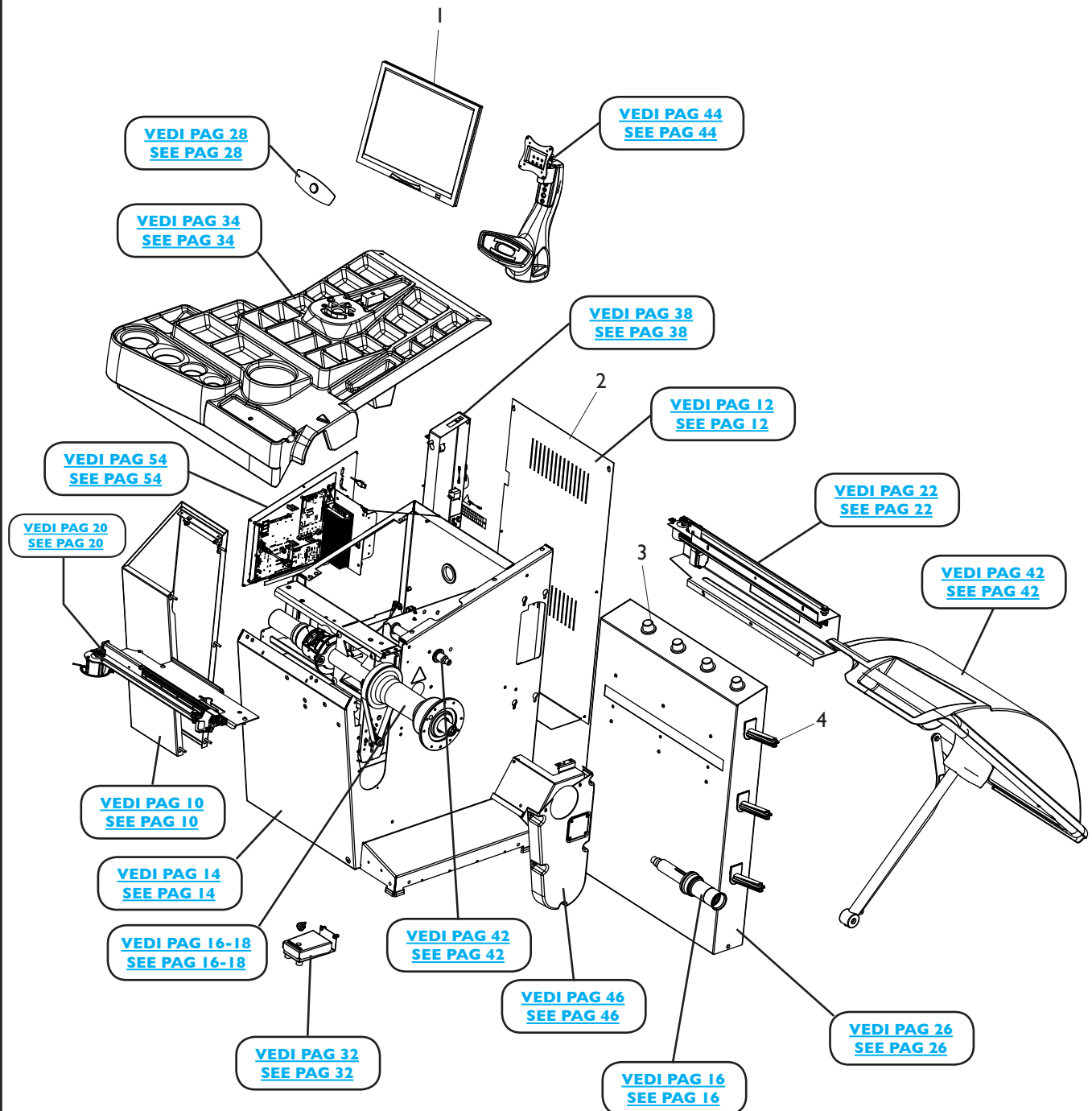
Im vorliegenden Dokument wurden die empfohlenen Ersatzteile in grauer Farbe hervorgehoben; die Teilenummern in Fettdruck haben sich beziehend auf die vorherige Version vom 01/15 geändert.

FR

Dans ce document, les pièces de rechange préconisées sont soulignées en gris, tandis que les références différentes par rapport à la version précédente du 01/15 sont en gras

COMPLESSIVO MT4000

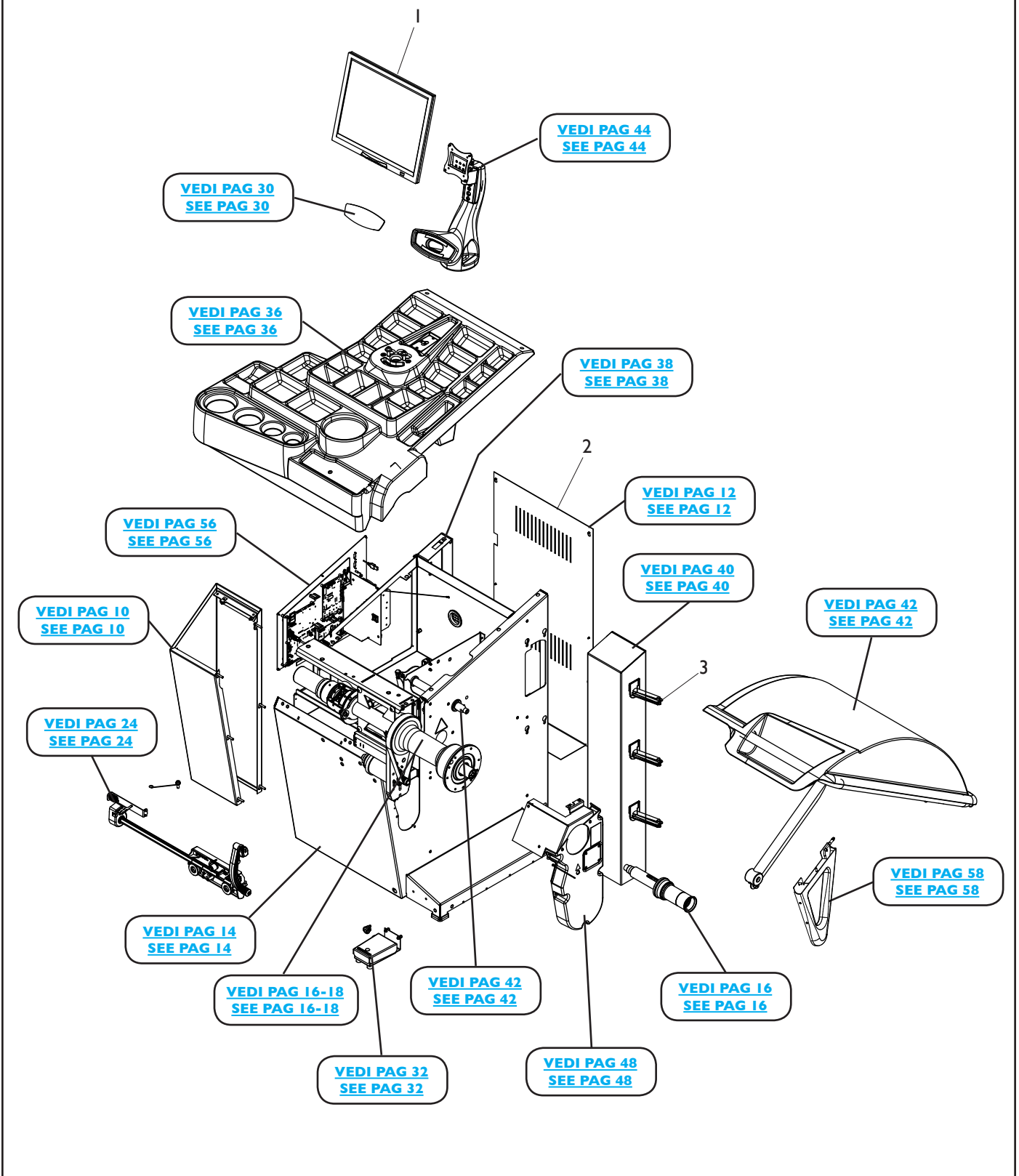
MT4000 OVERALL



Rif. Ref.	Codice Code	Descrizione	Description
1	4-118435	MONITOR LCD TOUCHSCREEN	TOUCHSCREEN LCD MONITOR
2	4-117364	PANNELLO CHIUSURA POSTERIORE	REAR LOCKING PANEL
3	441224	PORTACONO AD INCASTRO	CONE HOLDER INTERLOCKING
4	438319	PORTAFLANGIA A SLITTA	SLIDING HOLDER FLANGE

COMPLESSIVO MT3800

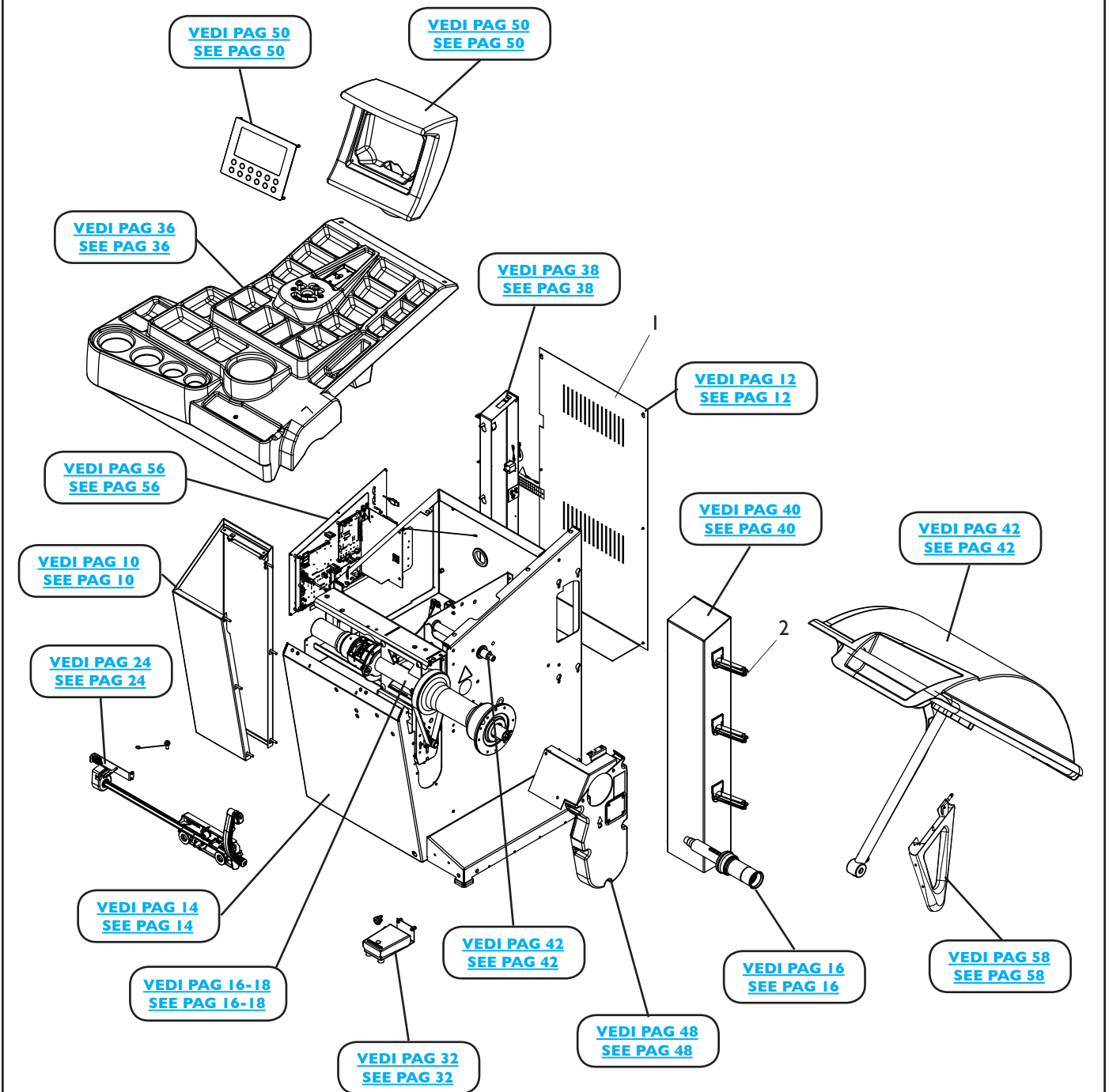
MT3800 OVERALL



Rif. Ref.	Codice Code	Descrizione	Description
1	3-00673	MONITOR 22" LCD/LED WIDE	LCD MONITOR 22"
2	4-117364	PANNELLO CHIUSURA POSTERIORE	REAR LOCKING PANEL
3	438319	PORTAFLANGIA A SLITTA	SLIDING HOLDER FLANGE

COMPLESSIVO MT3500

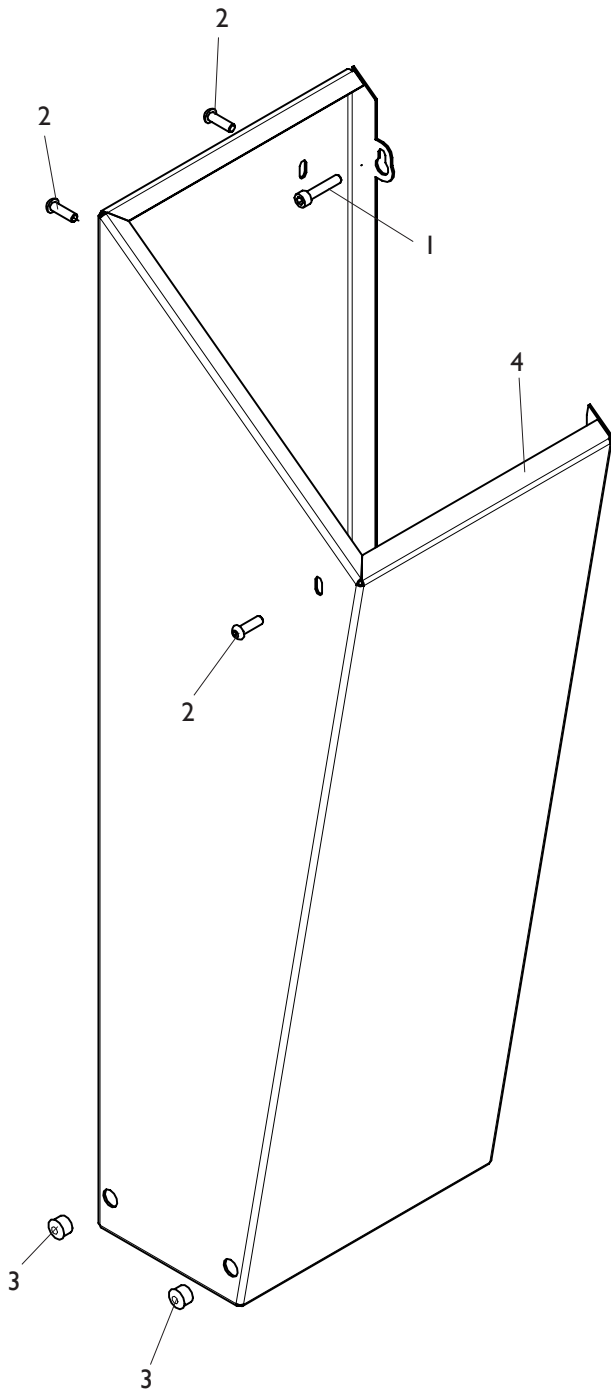
MT3500 OVERALL



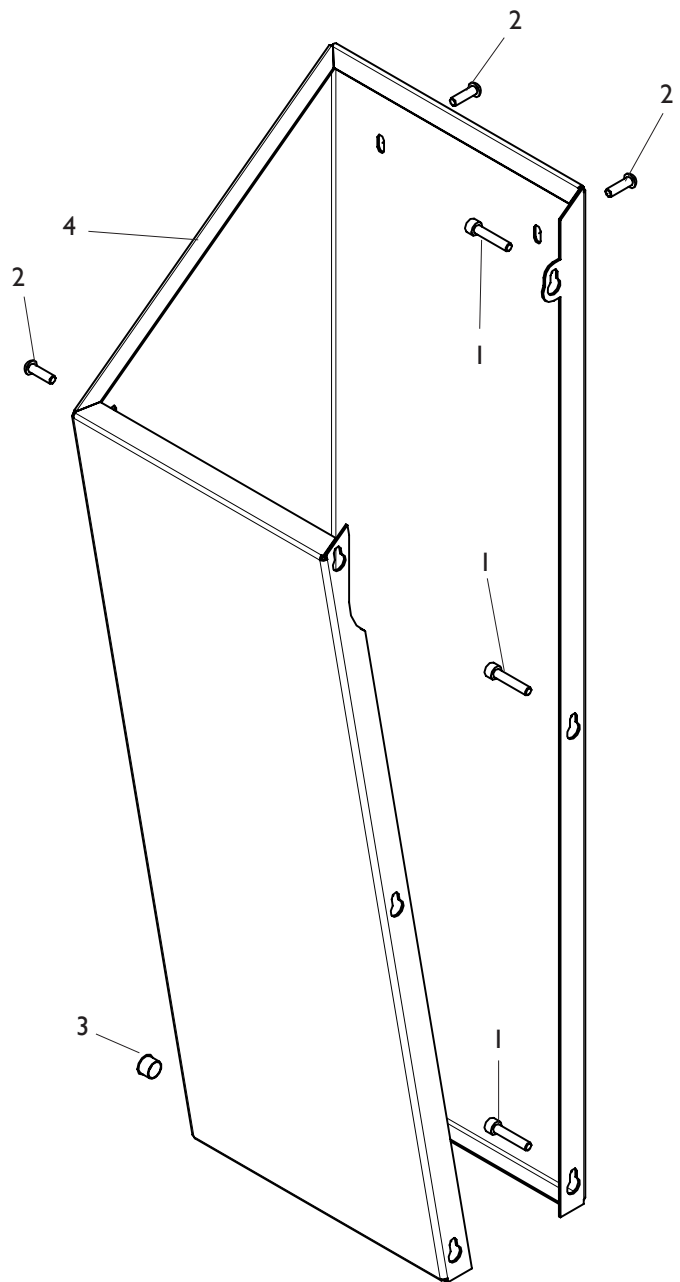
Rif. Ref.	Codice Code	Descrizione	Description
1	4-117364	PANNELLO CHIUSURA POSTERIORE	REAR LOCKING PANEL
2	438319	PORTAFLANGIA A SLITTA	SLIDING HOLDER FLANGE

COLONNA PORTAPESI SX WEIGHT HOLDER LEFT COLUMN

VISTA LATERALE
SIDE VIEW



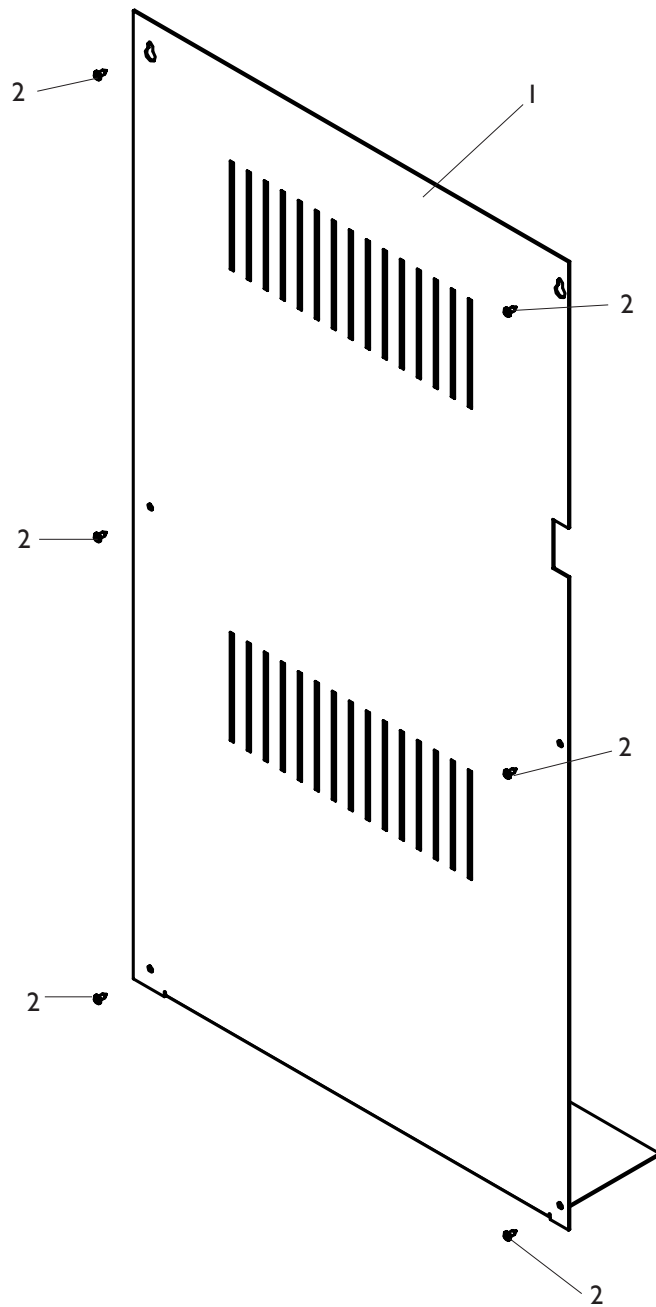
VISTA ANTERIORE
FRONT VIEW



[TORNA AL COMPLESSIVO](#)
[RETURNS TO OVERALL](#)

Rif. Ref.	Codice Code	Descrizione	Description
1	2-00863	VTCEI M6X30	CIRCULAR SOCKET HEAD SCREW M6X30
2	2-02147	VTBEI M6X30	ROUNDED HEAD SCREW SOCKET M6X30
3	435957	TAPPO NERO D.12,7 SP3,2	CAP BLACK D.12,7 SP3,2
4	4-118473	COLONNA PORTAPESI SX	WEIGHT HOLDER LEFT COLUMN

PANNELLO POSTERIORE REAR PANEL

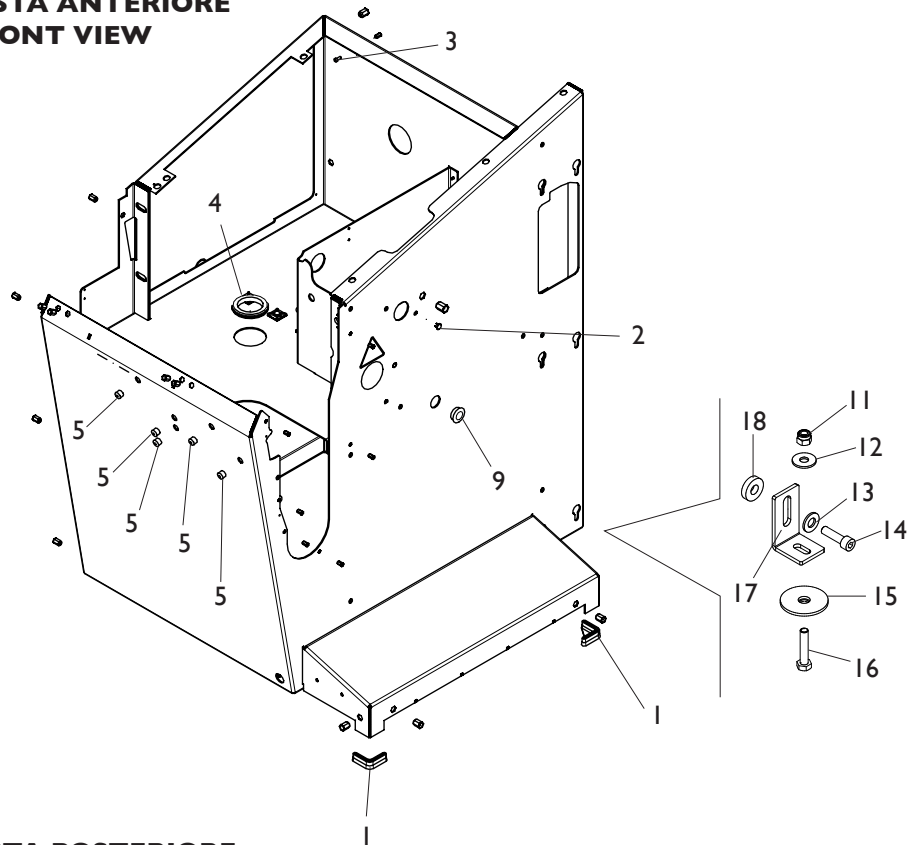


[TORNA AL COMPLESSIVO](#)
[RETURNS TO OVERALL](#)

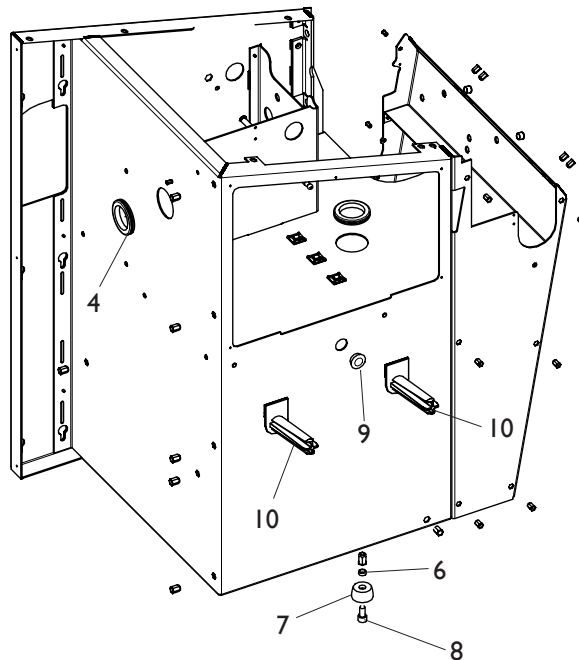
Rif. Ref.	Codice Code	Descrizione	Description
1	4-117364	PANNELLO CHIUSURA POSTERIORE	REAR LOCKING PANEL
2	2-80171	VATBIC D.3,9X9,5	ROUNDED HEAD SCREW TAPPING CROSS CUT D.3,9X9,5

CASSONE BODY

VISTA ANTERIORE
FRONT VIEW



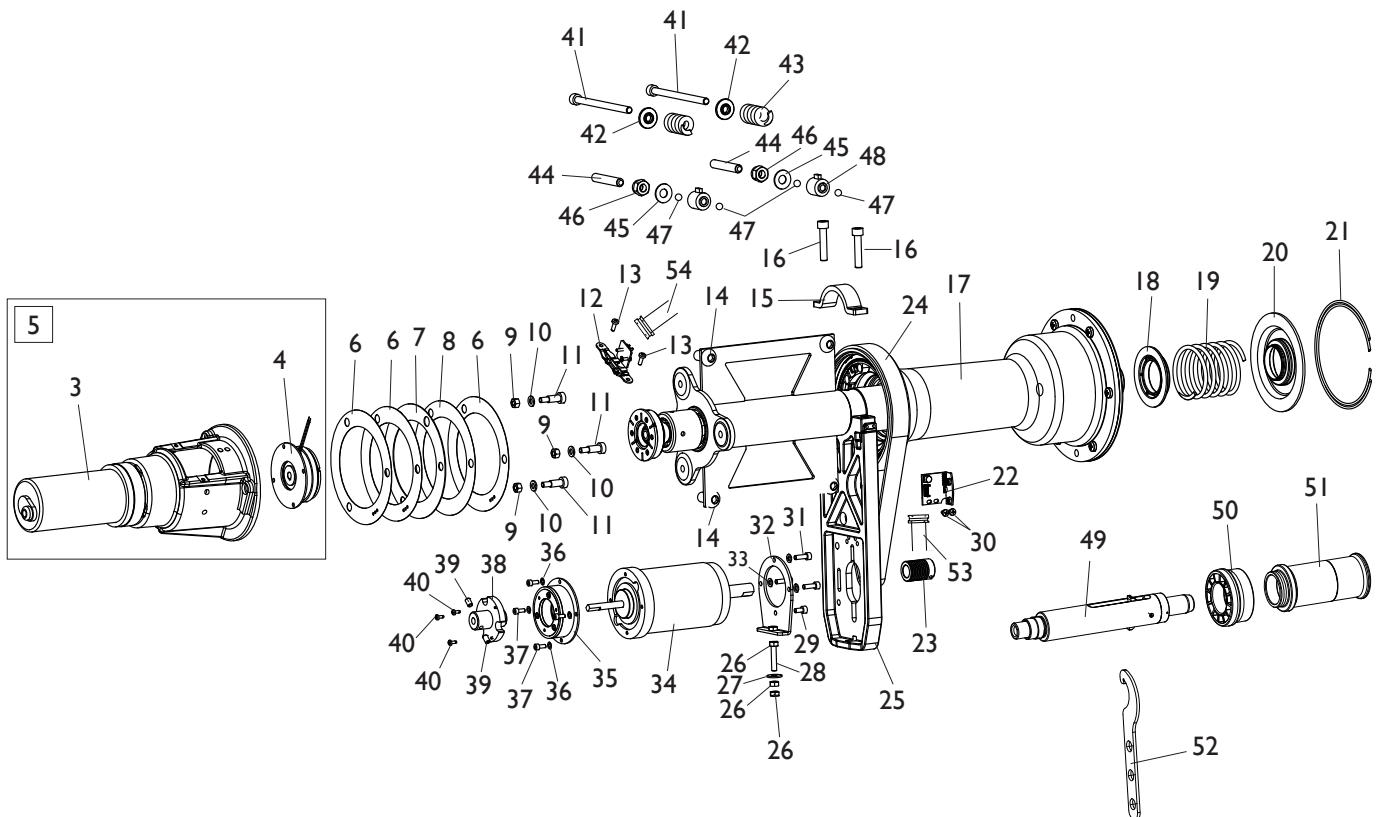
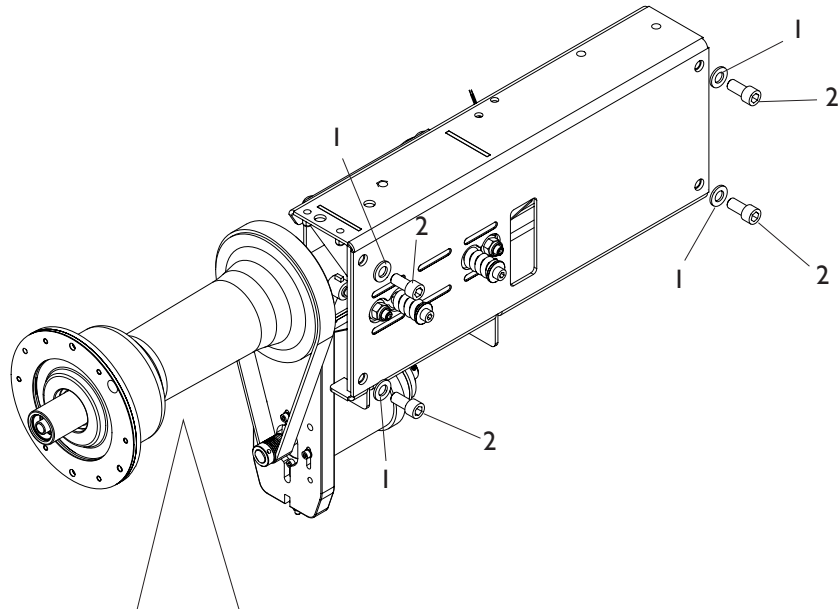
VISTA POSTERIORE
REAR VIEW



**TORNA AL COMPLESSIVO
RETURNS TO OVERALL**

Rif. Ref.	Codice Code	Descrizione	Description
1	4-117130	PIEDE D.35X35	FOOT D.35X35
2	3-02956	TAPPO IN PLASTICA NERO D.8	PLASTIC BLACK CAP D.8
3	2-02080	VTCEI M4X10	CIRCULAR SOCKET HEAD SCREW M4X10
4	460314	PASSACAVO ROTONDO D.48X60X2,5	PASSACAVO ROUND
5	435957	TAPPO NERO D.12,7 SP3,2	BLACK CAP D.12,7 SP3,2
6	360095	DISTANZIALE PIEDE	FOOT SPACER
7	460029	PIEDE	FOOT
8	2-01985	VTCEI M10X20	CIRCULAR SOCKET HEAD SCREW M10X20
9	456193	TAPPO NERO D.25,4 SP4,4	BLACK CAP D.25,4 SP4,4
10	438319	PORTAFLANGIA A SLITTA	SLIDING HOLDER FLANGE
11	2-01020	DADO ES.N.A. M8	NORMAL AUTOLOCKING HEX NUT M8
12	2-01299	ROSETTA D.9X24X2	WASHER D.9X24X2
13	2-00213	RONDELLA D.10	WASHER D.10
14	2-80017	VTCEI M10X30	CIRCULAR SOCKET HEAD SCREW M10X30
15	441631	RONDELLA D.48X13X3	WASHER D.48X13X3
16	2-00376	VTE M8X40	HEXAGON HEAD SCREW M8X40
17	4-110010	STAFFA FISSAGGIO A TERRA	BRACKET
18	4-110031	RONDELLA IN NYLON D.10,5X25X6	NYLON WASHER D.10,5X25X6

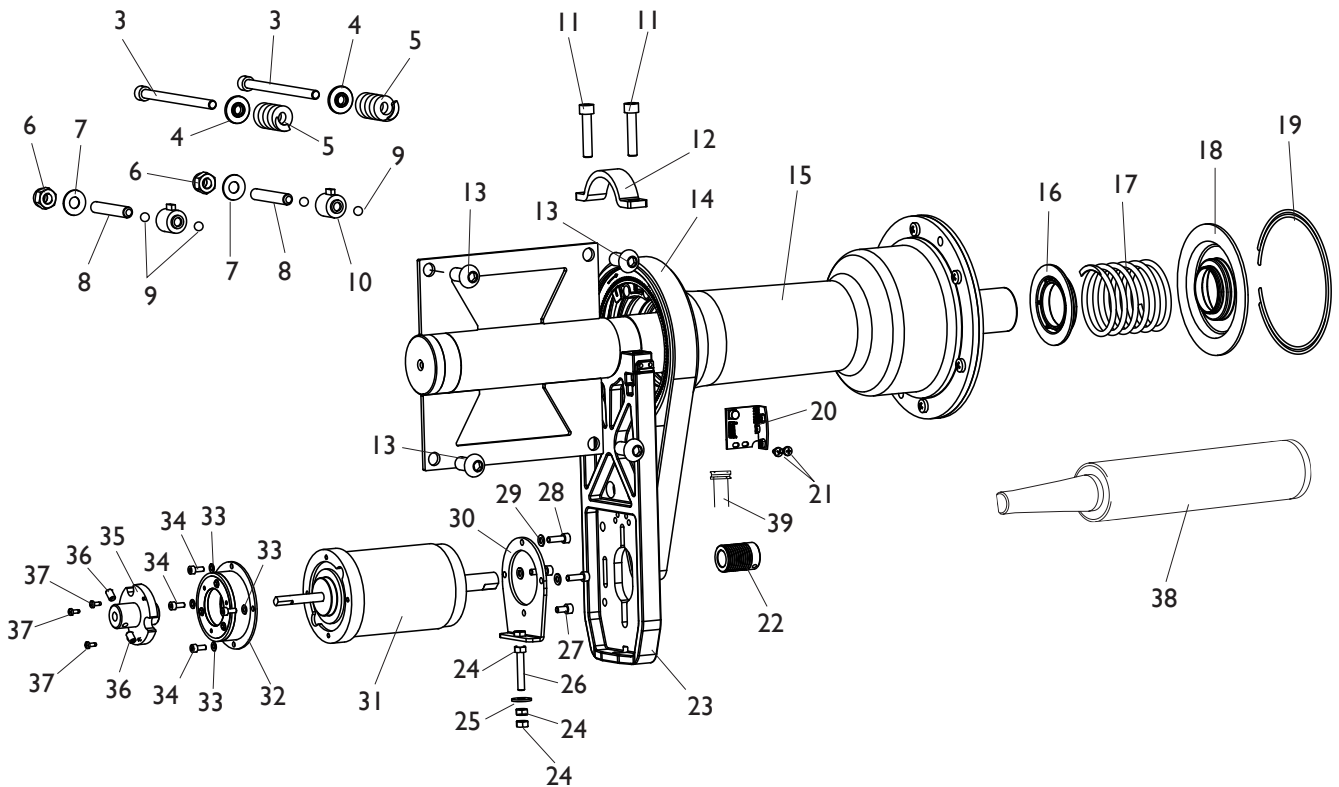
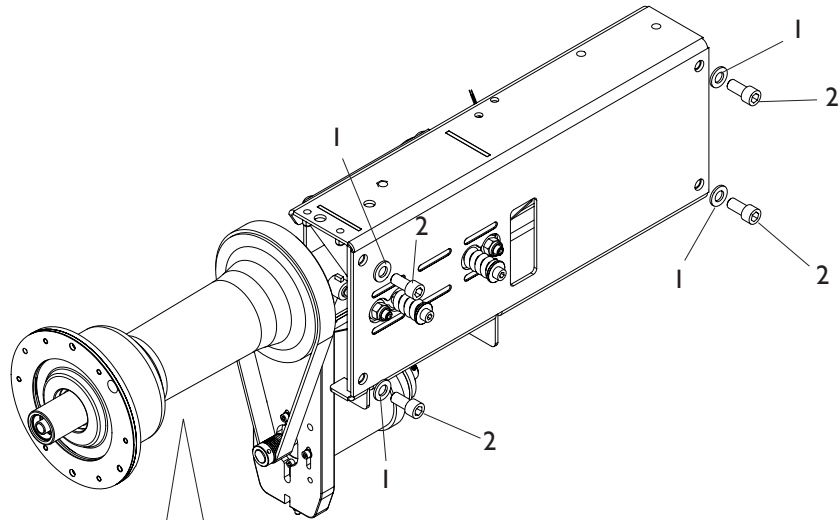
GRUPPO OSCILLANTE C OSCILLATING GROUP C



**TORNA AL COMPLESSIVO
RETURNS TO OVERALL**

Rif. Ref.	Codice Code	Descrizione	Description
1	2-00214	RONDELLA D.12	WASHER D.12
2	2-80164	VTCEI M12X25	CIRCULAR SOCKET HEAD SCREW M12X25
3	4-105403	MOTORIDUTTORE	MOTOR GEAR
4	5-101987	FRIZIONE	CLUTCH
5	5-103271	MOTORIDUTTORE CPL	COMPLETE MOTOR GEAR
6	4-105937	RONDELLA SPESSORAMENTO D.0,3	WASHER SHIMMING D.0,3
7	4-105936	RONDELLA SPESSORAMENTO D.1	WASHER SHIMMING D.1
8	4-113011	RONDELLA SPESSORAMENTO D.0,1	WASHER SHIMMING D.0,1
9	2-00111	DADO ES.A. M6	AUTOLOCKING HEXAGON NUT M6
10	2-00211	RONDELLA D.6	WASHER D.6
11	2-03091	VSTCCE 8X16 M6	SPECIAL SCREW 8X16 M6
12	5-101537	SCHEDA ENCODER REFLEX	REFLEX ENCODER BOARD
13	2-00609	VTCIC M4X12	HEAD SCREW CROSS CUT M4X12
14	2-03217	VTBEI M12X25	ROUNDED HEAD SCREW SOCKET M12X25
15	4-104591	FLANGIA SUPPORTO MOTORE	MOTOR SUPPORT FLANGE
16	2-02008	VTCEI 1/2F M8X40	CIRCULAR SOCKET HEAD SCREW 1/2F M8X40
17	5-120044	GRUPPO OSCILLANTE C	OSCILLATING GROUP C
18	4-104589	DISCO PORTA MOLLA D.40	DISC HOLDER SPRING D.40
19	4-104588	MOLLA D.4,8X66X121	SPRING D.4,8X66X121
20	4-104590	DISCO PREMI MOLLA D.40	DISC SPING COMPRESSOR D.40
21	4-101740	ANELLO D.127,5X2,5	RING D.127,5X2,5
22	5-120045	SCHEDA RICERCA	SEARCH P.C. BOARD
23	4-104599	PULEGGIA	PULLEY
24	3-01750	CINGHIA	BELT
25	4-107205	SUPPORTO MOTORE	MOTOR SUPPORT
26	2-00146	DADO ES.N. M6	NORMAL HEXAGON NUT M6
27	2-00679	ROSETTA D.6,6X18X1,5	WASHER D.6,6X18X1,5
28	2-03427	VTE M6X50	HEXAGON HEAD SCREW M6X50
29	2-00891	VTCEI M5X10	CIRCULAR SOCKET HEAD SCREW M5X10
30	2-03425	VATCCIC M4X6	SCREW TAPPING HEAD CUTTING CIRCULAR CROSS M4X6
31	2-03003	VTCEI M5X20	CIRCULAR SOCKET HEAD SCREW M5X20
32	4-104598	FLANGIA MOTORE	MOTOR FLANGE
33	2-71546	ROSETTA D.5	WASHER D.5
34	5-103007	MOTORE 48V	MOTOR 48V
35	5-104252	FRENO	BRAKE
36	2-71541	ROSETTA D.4	WASHER D.4
37	2-02080	VTCEI M4X10	CIRCULAR SOCKET HEAD SCREW M4X10
38	4-104596	MOZZO FRENO	HUB BRAKE
39	2-00672	VSTEI P.PA. M6X10	CSK SCREW SOCKET M6X10
40	2-02908	VATCCIC M3X8	SCREW TAPPING HEAD CUTTING CIRCULAR CROSS M3X8
41	2-03661	VTCEI M8X120	CIRCULAR SOCKET HEAD SCREW M8X120
42	4-104650	BOCCOLA POSTERIORE MOLLA PICK UP	BUSH REAR SPRING PICK UP
43	4-104652	MOLLA D.6X25X41	SPRING D.6X25X41
44	2-01887	VSTEI P.CP. M10X60	CSK SCREW SOCKET M10X60
45	424993	MOLLA D.10,2X23X1,25	SPRING D.10,2X23X1,25
46	2-01019	DADO ES.N.A. M10	NORMAL AUTOLOCKING HEXAGON NUT M10
47	2-00243	SFERA 5/16"	SPHERE 5/16"
48	5-103533	PICK-UP	PICK-UP
49	5-105864	MOZZO BLOCCAGGIO RUOTA	LOCKING WHEEL HUB
50	4-115864	DISTANZIALE RUOTA	WHEEL SPACER
51	5-105873	MANICOTTO BLOCCAGGIO RUOTA	COUPLING LOCKING WHEEL
52	4-117227	CHIAVE SPECIALE	SPECIAL KEY
53	449319	FLAT 8 VIE L.1100mm	FLAT CABLE 8 WAY L.1100mm
54	4-102558	FLAT 4VIE L.800mm	FLAT CABLE 4 WAY L.800mm

GRUPPO OSCILLANTE OSCILLATING GROUP

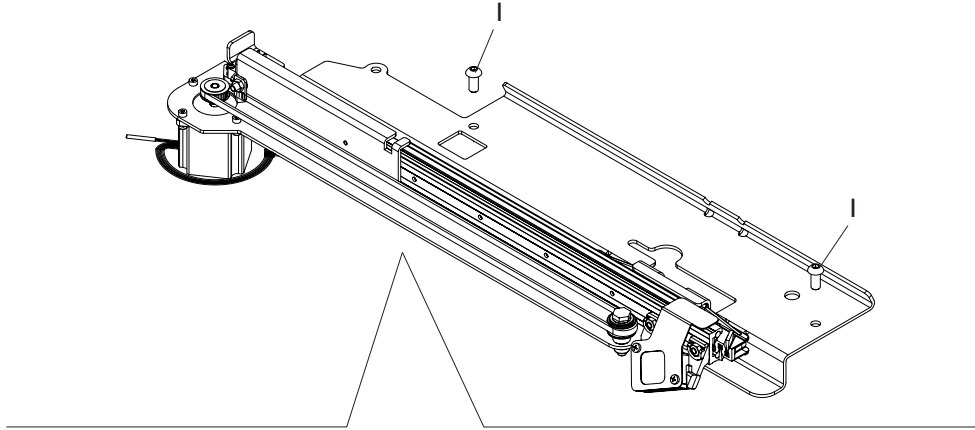


**TORNA AL COMPLESSIVO
RETURNS TO OVERALL**

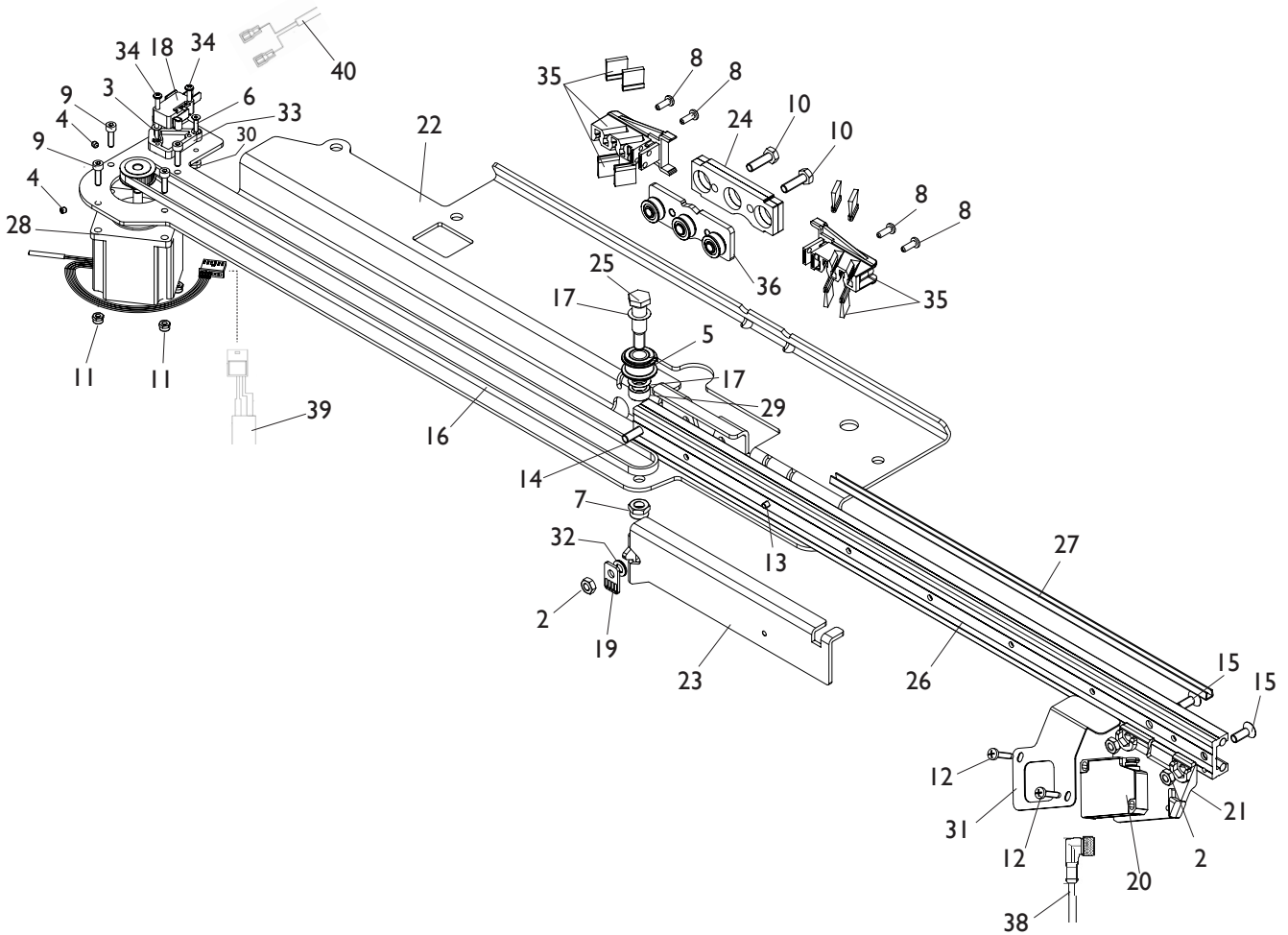
Rif. Ref.	Codice Code	Descrizione	Description
1	2-00214	RONDELLA D.12	WASHER D.12
2	2-80164	VITETCEI M12X25	CIRCULAR SOCKET HEAD SCREW M12X25
3	2-03661	VTCEI M8X120	CIRCULAR SOCKET HEAD SCREW M8X120
4	4-104650	BOCCOLA POSTERIORE MOLLA PICK UP	BUSH REAR SPRING PICK UP
5	4-104652	MOLLA D.6X25X41	SPRING D.6X25X41
6	2-01019	DADO ES.N.A. M10	NORMAL AUTOLOCKING HEXAGON NUT M10
7	424993	MOLLA D.10,2X23X1,25	SPRING D.10,2X23X1,25
8	2-01887	VSTEI P.CP. M10X60	CSK SCREW SOCKET M10X60
9	2-00243	SFERA 5/16"	SPHERE 5/16"
10	5-103533	PICK-UP	PICK-UP
11	2-02008	VTCEI 1/2F M8X40	CIRCULAR SOCKET HEAD SCREW 1/2F M8X40
12	4-104591	FLANGIA SUPPORTO MOTORE	MOTOR SUPPORT FLANGE
13	2-03217	VTBEI M12X25	ROUNDED HEAD SCREW SOCKET M12X25
14	3-01750	CINGHIA	BELT
15	5-120046	GRUPPO OSCILLANTE	OSCILLATING GROUP
16	4-104589	DISCO PORTA MOLLA D.40	DISC HOLDER SPRING D.40
17	4-104588	MOLLA D.4,8X66X121	SPRING D.4,8X66X121
18	4-104590	DISCO PREMI MOLLA D.40	DISC SPING COMPRESSOR D.40
19	4-101740	ANELLO D.127,5X2,5	RING D.127,5X2,5
20	5-120045	SCHEDA RICERCA	SEARCH P.C. BOARD
21	2-03425	VATCCIC M4X6	SCREW TAPPING HEAD CUTTING CIRCULAR CROSS M4X6
22	4-104599	PULEGGIA	PULLEY
23	4-107205	SUPPORTO MOTORE	MOTOR SUPPORT
24	2-00146	DADO ES.N. M6	NORMAL HEXAGON NUT M6
25	2-00679	ROSETTA D.6,6X18X1,5	WASHER D.6,6X18X1,5
26	2-03427	VTE M6X50	HEXAGON HEAD SCREW M6X50
27	2-00891	VTCEI M5X10	CIRCULAR SOCKET HEAD SCREW M5X10
28	2-03003	VTCEI M5X20	CIRCULAR SOCKET HEAD SCREW M5X20
29	2-71546	ROSETTA D.5	WASHER D.5
30	4-104598	FLANGIA MOTORE	MOTOR FLANGE
31	5-103007	MOTORE 48V	MOTOR 48V
32	5-104252	FRENO	BRAKE
33	2-71541	ROSETTA D.4	WASHER D.4
34	2-02080	VTCEI M4X10	CIRCULAR SOCKET HEAD SCREW M4X10
35	4-104596	MOZZO FRENO	HUB BRAKE
36	2-00672	VSTEI P.PA. M6X10	CSK SCREW SOCKET M6X10
37	2-02908	VATCCIC M3X8	SCREW TAPPING HEAD CUTTING CIRCULAR CROSS M3X8
38	5-101514	MOZZO BLOCCAGGIO RUOTA	LOCKING WHEEL HUB
39	449319	FLAT 8VIE L.1100mm	FLAT CABLE 8WAY L.1100mm

RILEVATORE INTERNO LASER MT4000

MT4000 INTERNAL LASER DETECTOR



37



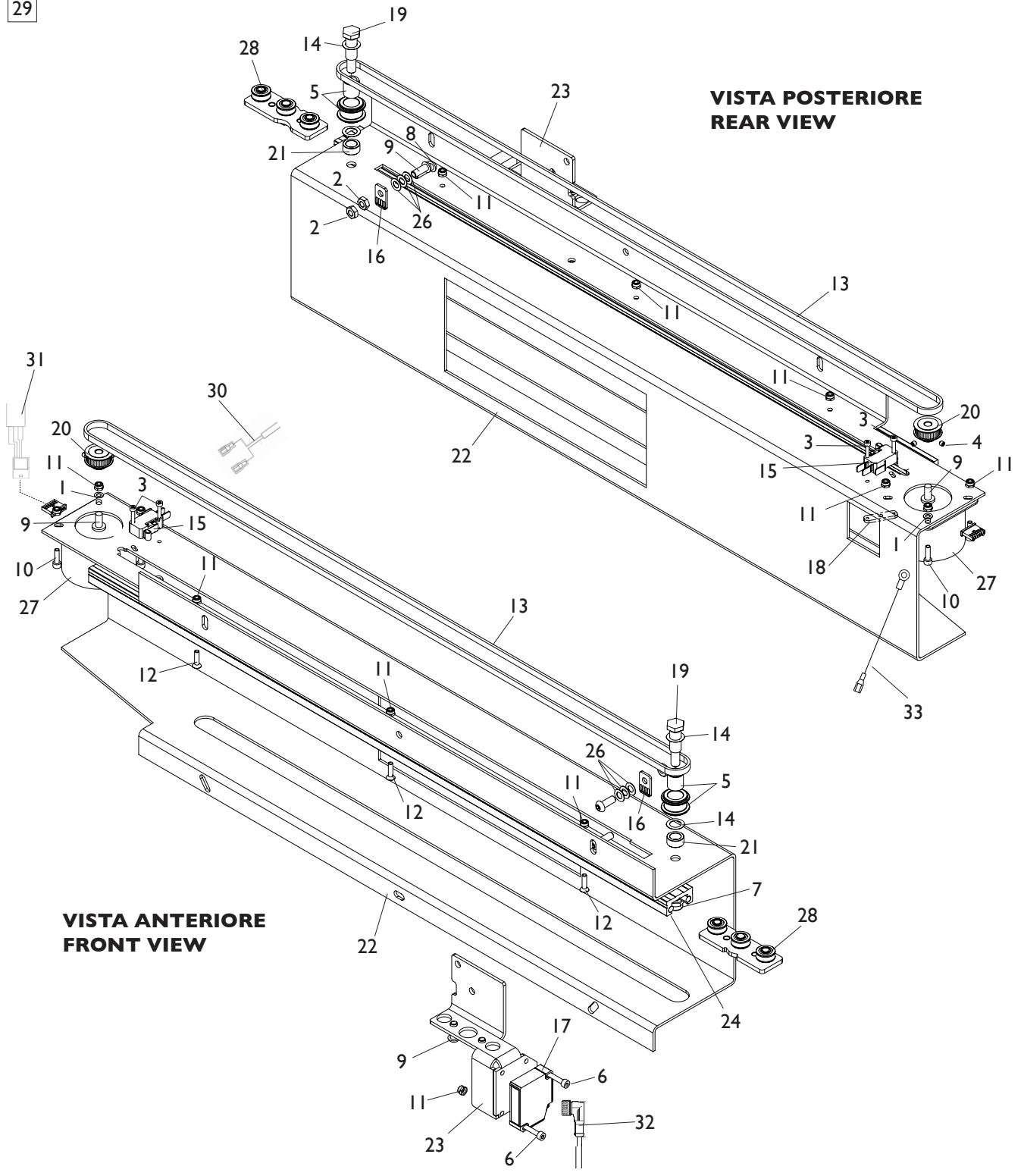
TORNA AL COMPLESSIVO
RETURNS TO OVERALL

Rif. Ref.	Codice Code	Descrizione	Description
1	2-02157	VTBEI M8X18	ROUNDED HEAD SCREW SOCKET M8X18
2	2-00167	DADO ES. B. M6	LOW HEXAGON NUT M6
3	2-00208	RONDELLA D.3	WASHER D.3
4	2-00537	VTSCE M4X4	CIRCULAR HEHXAGONAL SCREW CSK M4X4
5	5-103053	ASTUCCIO + PULEGGIA	BOX WITH PULLEY
6	2-00924	VTSPEI M3X12	CSK FLAT HEAD SCREW SOCKET M3X12
7	2-01137	DADO ES.B.A. M8	LOW AUTOLOCKING HEXAGON NUT M8
8	2-02095	VTCCIC M.4X12	HEAD SCREW CROSS CUTTING CIRCULAR CONE M4X12
9	2-02260	VTCEI M4X14	CIRCULAR SOCKET HEAD SCREW M4X14
10	2-02339	VTE M6X20	HEXAGON HEAD SCREW M6X20
11	2-02883	DADO ES.B.A. M4	LOW AUTOLOCKING HEXAGON NUT M4
12	2-03102	VTCCIC M4X20	HEAD SCREW CROSS CUTTING CIRCULAR CONE M4X20
13	2-72205	VTSPEI M6X20	CSK FLAT HEAD SCREW SOCKET M6X20
14	2-80129	VTSPEI M4X8	CSK FLAT HEAD SCREW SOCKET M4X8
15	2-80134	VTSPEI M6X16	CSK FLAT HEAD SCREW SOCKET M6X16
16	3-00689	CINGHIA	BELT
17	314589	RONDELLA D.10,25X16X0,2	WASHER D.10,25X16X0,2
18	4-102043	MICROINTERRUTTORE	MICROSWITCH
19	4-107120	PIASTRA FISSAGGIO CINGHIA	BELT PLATE
20	4-107134	SENSORE LASER	LASER SENSOR
21	4-108198	SUPPORTO LASER ANTERIORE	FRONT LASER SUPPORT
22	4-111360	SUPPORTO RILEVATORE	DETECTOR SUPPORT
23	4-111365	DISTANZIALE CINGHIA	BELT SPACER
24	4-112489	PIASTRA CARRELLO 5mm	PLATE CART 5mm
25	4-112495	PERNO ECCENTRICO D.10 M8	ECCENTRIC PIN D.10 M8
26	4-112496	GUIDA RILEVATORE ANTERIORE	FRONT DETECTOR GUIDE
27	4-112497	CANALINA PER CAVI	CABLE TRUNKING
28	5-103745	MOTORE + PULEGGIA	MOTOR WITH PULLEY
29	4-112504	DISTANZIALE D.10X15X6,5	SPACER D.10X15X6,5
30	4-113353	PIASTRINA REGOLAZIONE MICRO	MICRO ADJUSTMENT PLATE
31	4-113636	COVER LASER	LASER COVER
32	414384	RONDELLA D.6X12X0,5	WASHER D.6X12X0,5
33	435898	SUPPORTO MICRO	MICRO SUPPORT
34	457023	VATBIC M.3X14	ROUNDED HEAD SCREW TAPPING CROSS CUT M3X14
35	5-103880	TERGI GUIDA	BLADE GUIDE
36	5-103881	CARRELLO	TROLLEY
37	5-103579	RILEVATORE INTERNO LASER	INTERNAL LASER DETECTOR
38	5-102440	CAVO SENSORE LASER	LASER SENSOR CABLE
39	4-118216	CAVO 4X0,22 6P L.650mm	CABLE 4X0,22 6P L.650mm
40	4-118109	CAVO 2P L.1400mm	CABLE 2P L.1400mm

RILEVATORE POSTERIORE MT4000

MT4000 REAR DETECTOR

29



VISTA POSTERIORE
REAR VIEW

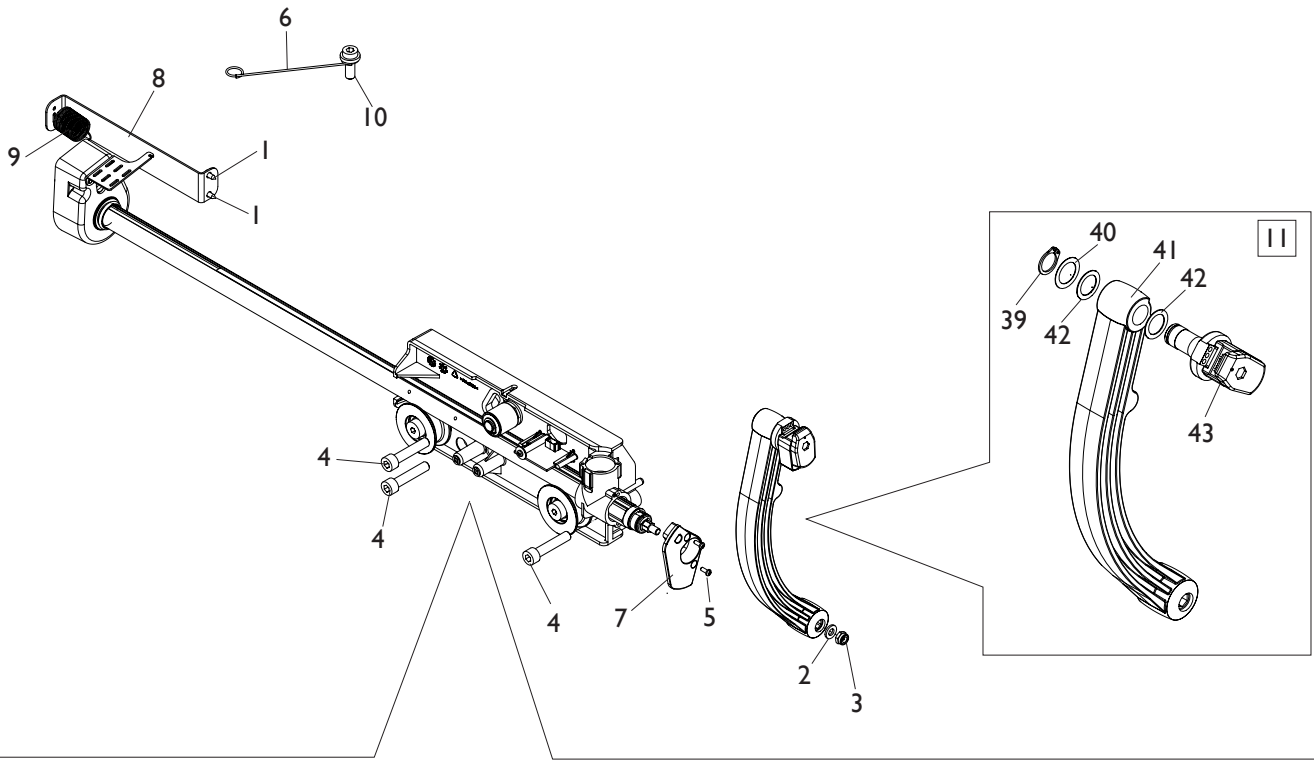
VISTA ANTERIORE
FRONT VIEW

[TORNA AL COMPLESSIVO](#)
[RETURNS TO OVERALL](#)

Rif. Ref.	Codice Code	Descrizione	Description
1	2-94059	ROSETTA D.4	WASHER D.4
2	2-00167	DADO ES. B. M6	LOW HEXAGON NUT M6
3	2-00288	VTCEI M3X16	CIRCULAR SOCKET HEAD SCREW M3X16
4	2-00537	VTSCE M4X4	CIRCULAR HEHXAGONAL SCREW CSK M4X4
5	5-103053	ASTUCCIO + PULEGGIA	BOX WITH PULLEY
6	2-00911	VTCEI M4X25	CIRCULAR SOCKET HEAD SCREW M4X25
7	2-01137	DADO ES.B.A. M8	LOW AUTOLOCKING HEXAGON NUT M8
8	2-02147	VTBEI M6X20	ROUNDED HEAD SCREW SOCKET M6X20
9	2-02155	VTBEI M6X16	ROUNDED HEAD SCREW SOCKET M6X16
10	2-02260	VTCEI M4X14	CIRCULAR SOCKET HEAD SCREW M4X14
11	2-02883	DADO ES.B.A. M4	LOW AUTOLOCKING HEXAGON NUT M4
12	2-02928	VTSPEI M4X16	CSK FLAT HEAD SCREW SOCKET M4X16
13	3-80139	CINGHIA	BELT
14	314589	RONDELLA D.10,25X16X0,2	WASHER D.10,25X16X0,2
15	4-102043	MICROINTERRUTTORE	MICROSWITCH
16	4-107120	PIASTRA FISSAGGIO CINGHIA	BELT PLATE
17	4-107134	SENSORE LASER	LASER SENSOR
18	4-111645	PIASTRA REGOLAZIONE MICRO	MICRO ADJUSTMENT PLATE
19	4-112495	PERNO ECCENTRICO D.10 M8	ECCENTRIC PIN D.10 M8
20	4-112503	PULEGGIA	PULLEY
21	4-112504	DISTANZIALE D.10X15X6,5	SPACER D.10X15X6,5
22	4-117159	SUPPORTO RILEVATORE POSTERIORE	DETECTOR REAR SUPPORT
23	4-117160	SUPPORTO SENSORE	SENSOR SUPPORT
24	4-117161	GUIDA RILEVATORE POSTERIORE	REAR DETECTOR GUIDE
26	414384	RONDELLA D.6X12X0,5	WASHER D.6X12X0,5
27	5-103054	MOTORE PASSO 48PP	MOTOR 48PP
28	5-103881	CARRELLO	TROLLEY
29	5-120047	RILEVATORE POSTERIORE	REAR DETECTOR
30	4-116015	CAVO 2P L.1200mm	CABLE 2P L.1200mm
31	4-117895	CAVO 4X0,22 6P L.900mm	CABLE 4X0,22 6P L.900mm
32	5-102440	CAVO SENSORE LASER	LASER SENSOR CABLE
33	5-100237	CAVO DI MASSA	CABLE

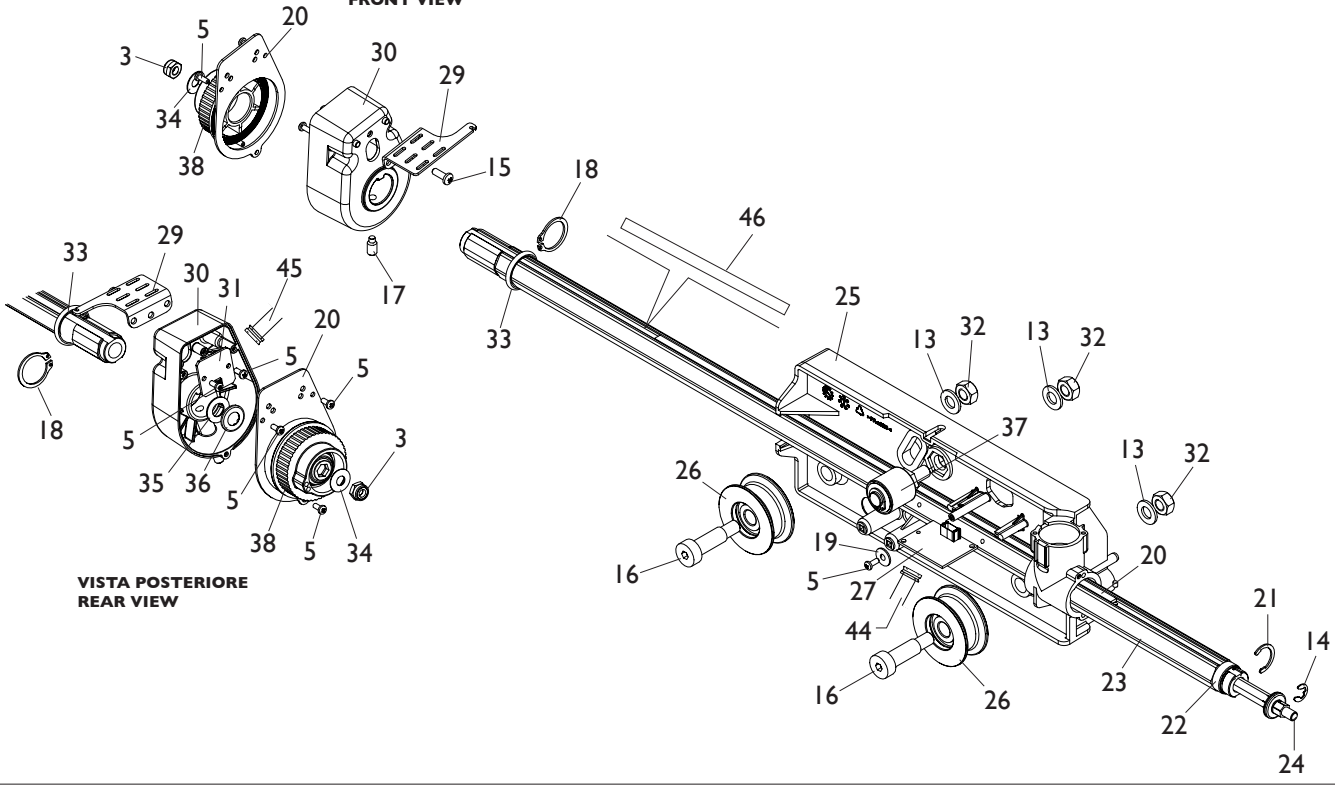
RILEVATORE DIGITALE MT3800-MT3500

MT3800-MT3500 DIGITAL DETECTOR



12

VISTA ANTERIORE
FRONT VIEW



VISTA POSTERIORE
REAR VIEW

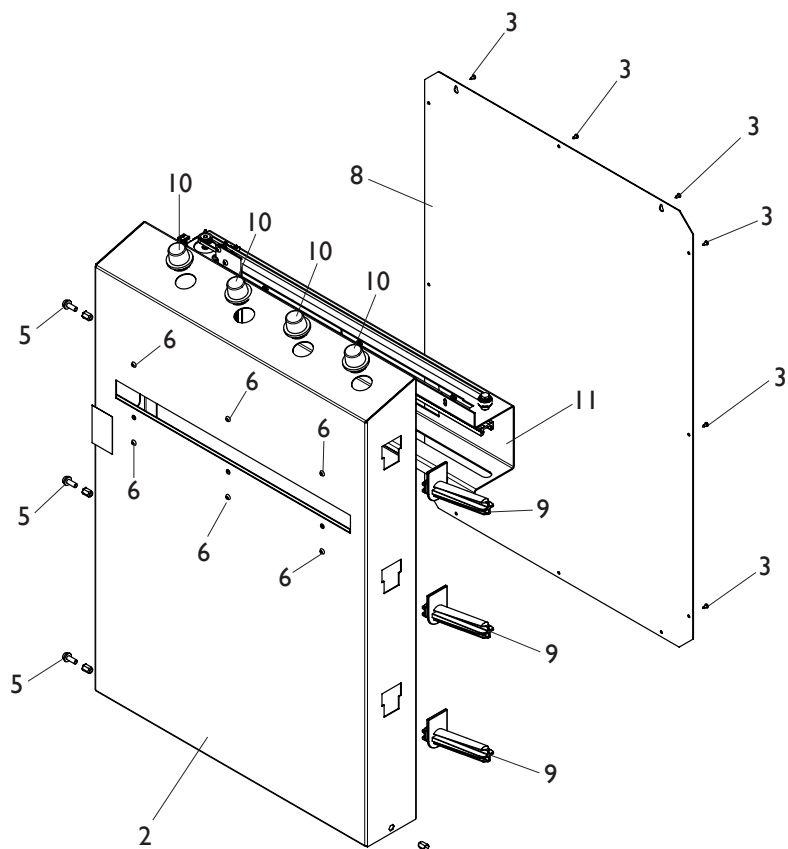
TORNA AL COMPLESSIVO
RETURNS TO OVERALL

Rif. Ref.	Codice Code	Descrizione	Description
1	2-80171	VTBIC D.3,9X9,5	ROUNDED HEAD SCREW CROSS CUT D.3,9X9,5
2	2-00211	RONDELLA D.6	WASHER D.6
3	2-01979	DADO ES.B.A. M6	LOW AUTOLOCKING HEXAGON NUT M6
4	2-02008	VTCEI 1/2F M8X40	CIRCULAR SOCKET HEAD SCREW 1/2F M8X40
5	2-02071	VATCCIC M.3X8	SCREW TAPPING HEAD CUTTING CIRCULAR CROSS M.3X8
6	4-106132	GANCIO GUIDA CAVO	HOOK CABLE GUIDE
7	4-116241	BOCCOLA FERMO ROTAZIONE	BUSH STOP ROTATION
8	4-117675	TIRANTE MOLLA	ROD SPRING
9	457598	MOLLA D.0,8X15,8X47,6	SPRING D.0,8X15,8X47,6
10	457693	VTCEI M8X20	CIRCULAR SOCKET HEAD SCREW M8X20
11	5-105497	LEVA CON TERMINALE PORTAPESI	LEVER END WEIGHT HOLDERS
12	5-105498	RILEVATORE DIGITALE	DIGITAL DETECTOR
13	2-00212	RONDELLA D.8	WASHER D.8
14	2-01010	ANELLO D.6	SEEGER D.6
15	2-02095	VATCCIC D.4X12	SCREW TAPPING HEAD CUTTING CIRCULAR CROSS D4X12
16	2-03396	VITE SPEC. D.10X25 M8	SPECIAL SCREW D.10X25 M8
17	2-71374	VSTEI M6X12	CSK SCREW ROUND SOCKET M6X12
18	2-71587	ANELLO D.20	SEEGER D.20
19	2-91679	ROSETTA D.4X12	WASHER D.4X12
20	4-101276	RIGA MAGNETICA L.400mm	MAGNETIC LINE L.400mm
21	4-101457	ANELLO D.17 H.17	SEEGER D.17 H.17
22	4-104485	BOCCOLA D.17,5X19,7X6,4	BUSHING D.17,5X19,7X6,4
23	5-120048	ASTA+MAGNETE+RIGA MAGNETICA	ROD AND LINE WITH MAGNET MAGNETIC
24	4-104488	ASTA ESAGONALE COMANDO	COMMAND HEXAGONAL ROD
25	4-104492	SUPPORTO RILEVATORE	DETECTOR SUPPORT
26	4-104525	RULLO INFERIORE	LOWER ROLLER
27	5-103205	SK MAGNETI	MAGNET P.C. BOARD
28	4-109564	LAMIERA CHIUSURA ENCODER	LOCKING PLATE ENCODER
29	4-109566	ATTACCO MOLLA RILEVATORE	SPRING ATTACK DETECTOR
30	4-109567	SUPPORTO SK RILEV.DIAMETRO	P.C. BOARD SUPPORT
31	5-103501	SK ENCODER RIFLETTENTE	P.C. BOARD ENCODER REFLECTIVE
32	421349	DADO AUTOFR.TRISTOP M8	AUTOLOCKING HEXAGON NUT M8
33	441728	OR D.18,64X3,53	O-RING D.18,64X3,53
34	459001	MOLLA D.6,2X15X0,5	SPRING D.6,2X15X0,5
35	4-104483	RALLA A RULLINI D.0,9X17X0,8	FIFTH WHEEL ROLLER D.0,9X17X0,8
36	4-104484	CUSCINETTO ASSIALE A RULLINI D.0,9X17X0,8	AXIAL NEEDLE BEARING D.0,9X17X0,8
37	5-103502	RULLO SUPERIORE	UPPER ROLLER
38	5-103470	PULEGGIA	PULLEY
39	2-00832	ANELLO D.13	SEEGER D.13
40	2-03063	RONDELLA D.14X20X0,3	WASHER D.14X20X0,3
41	4-116242	LEVA	LEVER
42	450073	RONDELLA D.13	WASHER D.13
43	5-101462	TERMINALE PORTAPESI STD	TERMINAL STANDARD WEIGHT HOLDERS
44	4-109588	FLAT 6 VIE L.1100mm	FLAT CABLE 6-WAY L.1100mm
45	4-109760	FLAT 4 VIE L.2200mm	FLAT CABLE 4-WAY L.2200mm
46	4-108321	TARGHETTA MILLIMETRATA L.400MM	MILLIMETRIC LABEL L.400MM

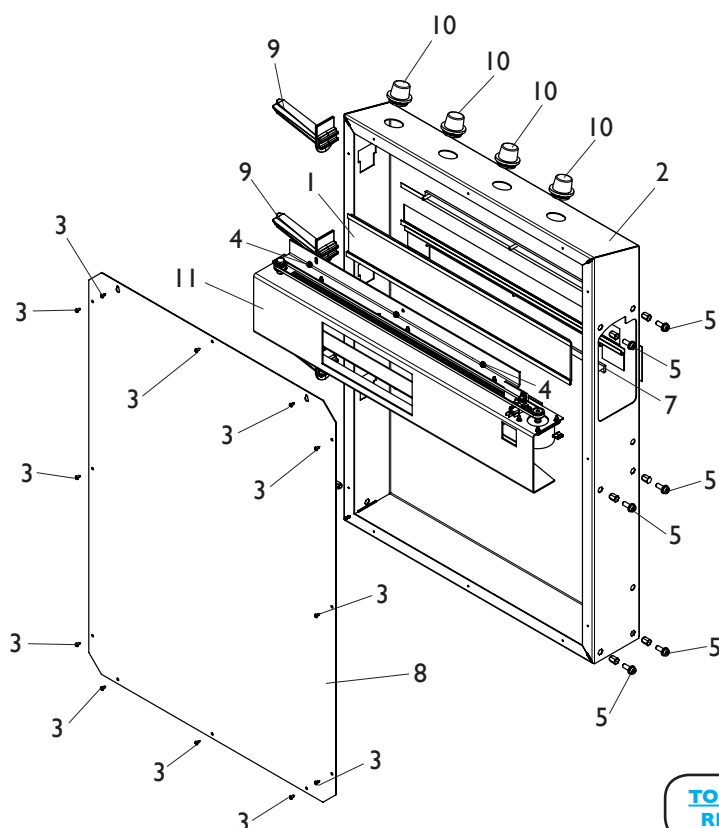
KIT RILEVATORE POSTERIORE MT4000

MT4000 REAR DETECTOR KIT

**VISTA ANTERIORE
FRONT VIEW**



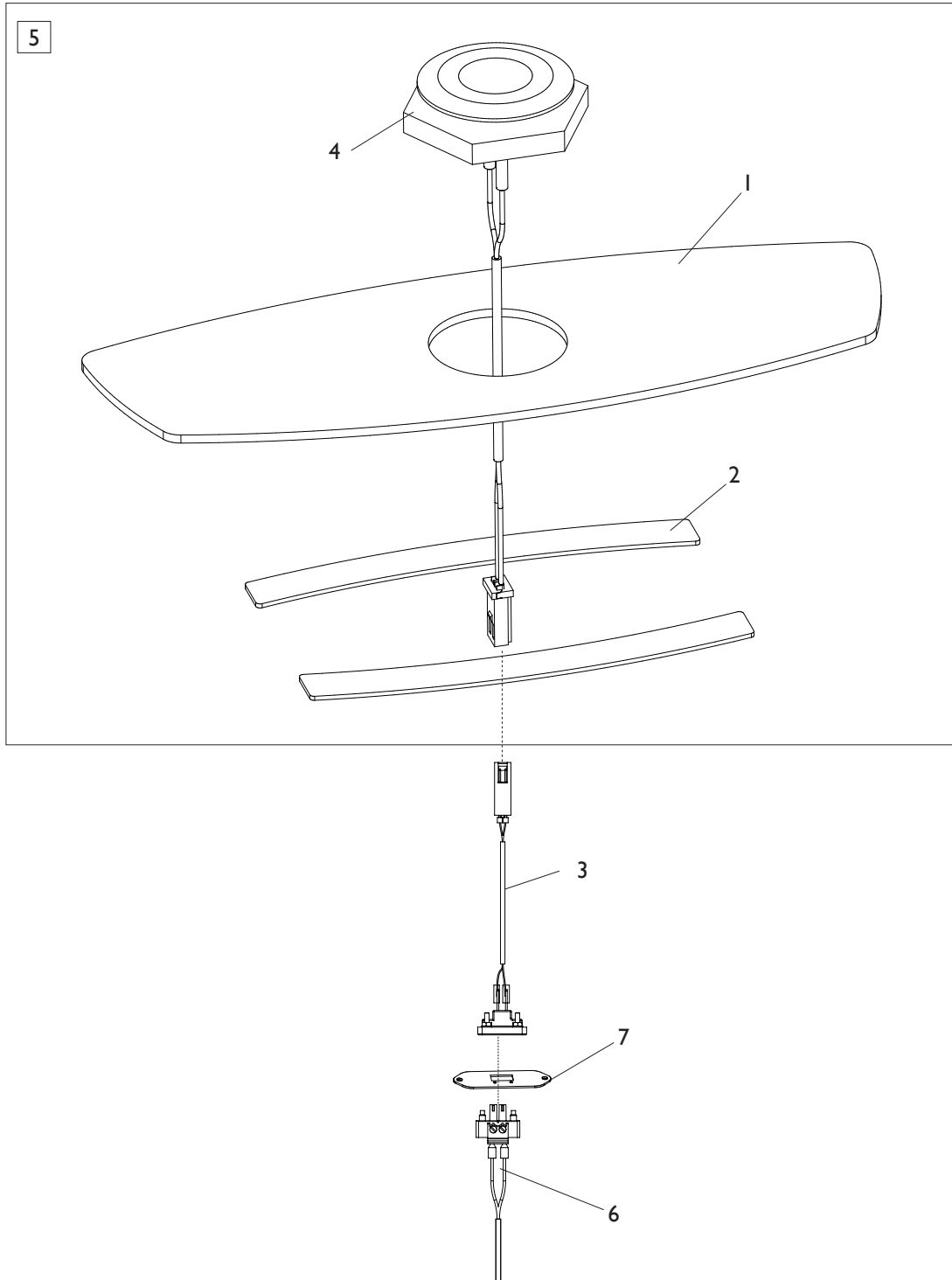
**VISTA POSTERIORE
REAR VIEW**



**TORNA AL COMPLESSIVO
RETURNS TO OVERALL**

Rif. Ref.	Codice Code	Descrizione	Description
1	5-120049	VETRO	GLASS
2	5-120050	PANNELLO CON ADESIVO	PANEL WITH LABEL
3	2-80171	VTBIC D.3,9X9,5	ROUNDED HEAD SCREW CROSS CUT D.3,9X9,5
4	2-01979	DADO ES.B.A. M6	LOW AUTOLOCKING HEXAGON NUT M6
5	457693	VTCEI FLANGIATA M8X20	CIRCULAR SOCKET HEAD SCREW M8X20
6	2-02147	VTBEI M6X20	ROUNDED HEAD SCREW SOCKET M6X20
7	4-117163	PIASTRA DISTANZIALE	SPACER PLATE
8	4-117164	PANNELLO POSTERIORE	REAR PANEL
9	438319	PORTAFLANGIA A SLITTA	SLIDING HOLDER FLANGE
10	441224	PORTACONO AD INCASTRO	CONE HOLDER INTERLOCKING
11	5-120047	RILEVATORE POSTERIORE	REAR DETECTOR

TASTIERA ONE TOUCH MT4000 MT4000 ONE TOUCH KEYBOARD

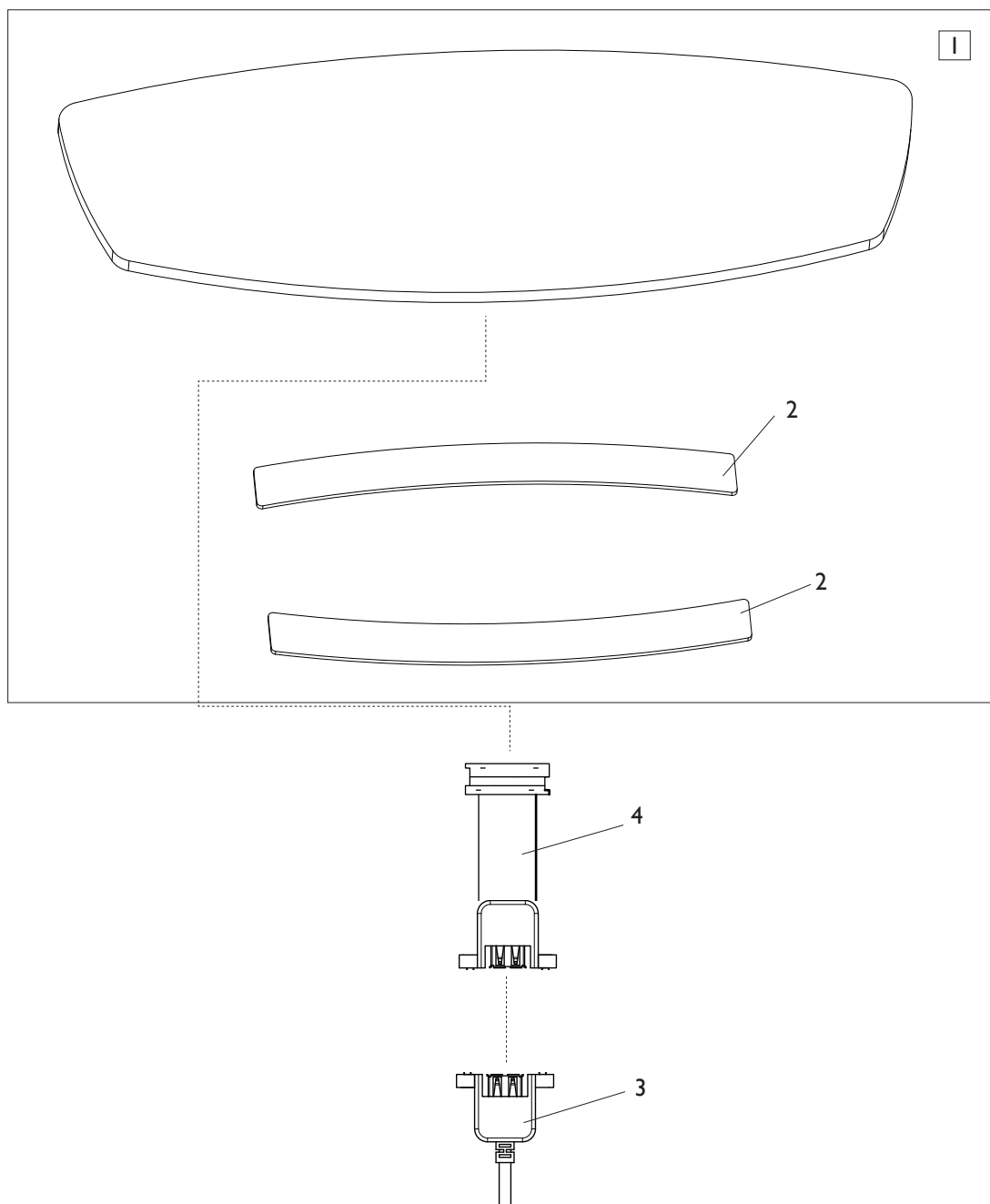


[TORNA AL COMPLESSIVO](#)
[RETURNS TO OVERALL](#)

Rif. Ref.	Codice Code	Descrizione	Description
1	4-130697	PIASTRA SUPPORTO	SUPPORT PLATE
2	4-106013	ADESIVO DUAL LOCK	DUAL LOCK LABEL
3	4-130702	CAVO 2X0,34 L.360mm	CABLE 2X0,34 L.360mm
4	5-120304	PULSANTE CON CAVO	BUTTON WITH CABLE
5	5-120076	TASTIERA ONE TOUCH	ONE TOUCH KEYBOARD
6	4-130704	CAVO 2x0,34 L.1100mm	CABLE 2x0,34 L.1100mm
7	4-130695	PIASTRA CONNETTORE PHOENIX	PLATE

TASTIERA MT3800

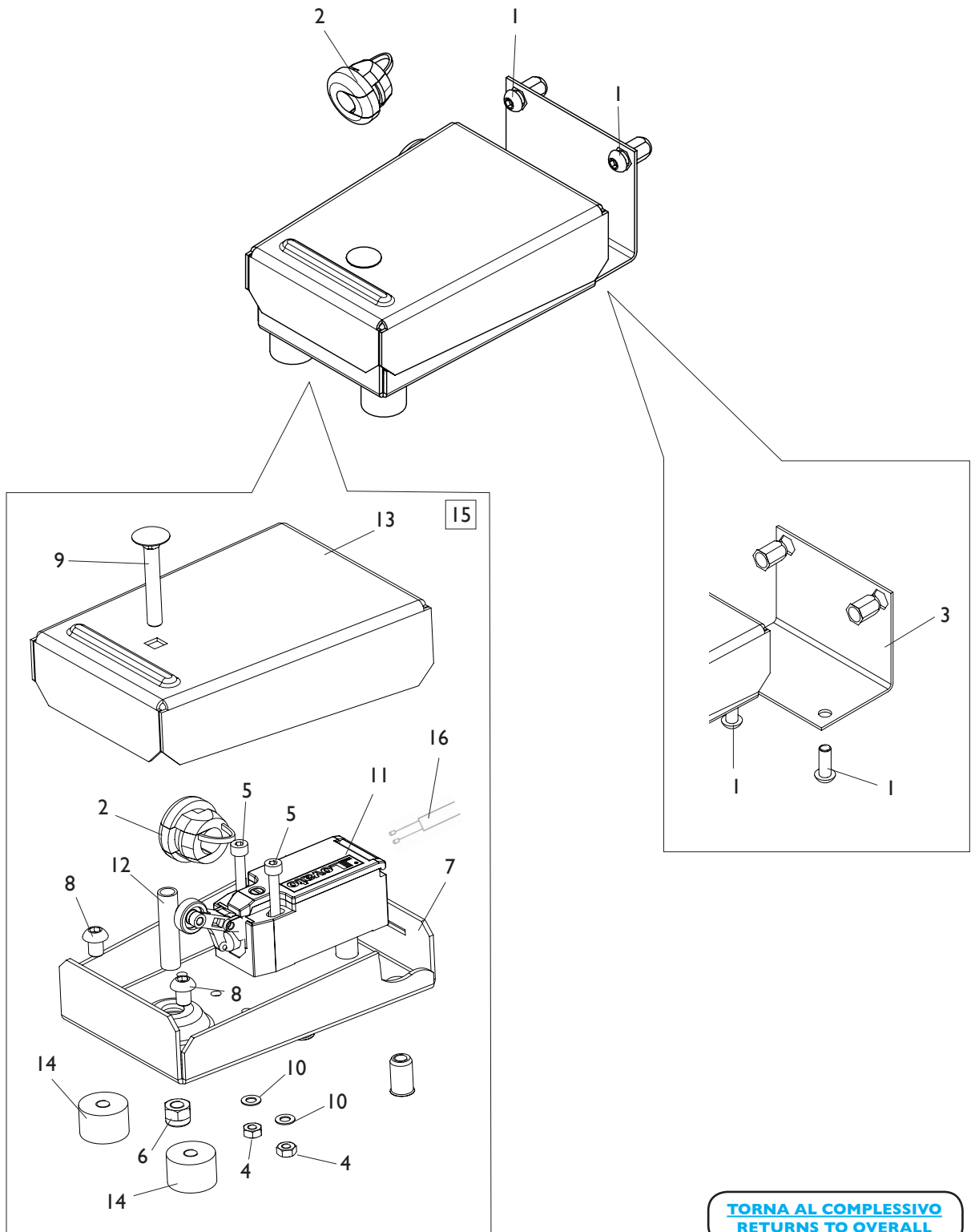
MT3800 KEYBOARD



[TORNA AL COMPLESSIVO](#)
[RETURNS TO OVERALL](#)

Rif. Ref.	Codice Code	Descrizione	Description
1	5-120077	TASTIERA	KEYBOARD
2	4-106013	VELCRO ADESIVO	LABEL
3	4-106038	FLAT 16 VIE L.600mm	FLAT CABLE 16-WAY L.600mm
4	4-106035	FLAT 16 VIE L.300mm	FLAT CABLE 16-WAY L.300mm

PEDALE EC EC PEDAL

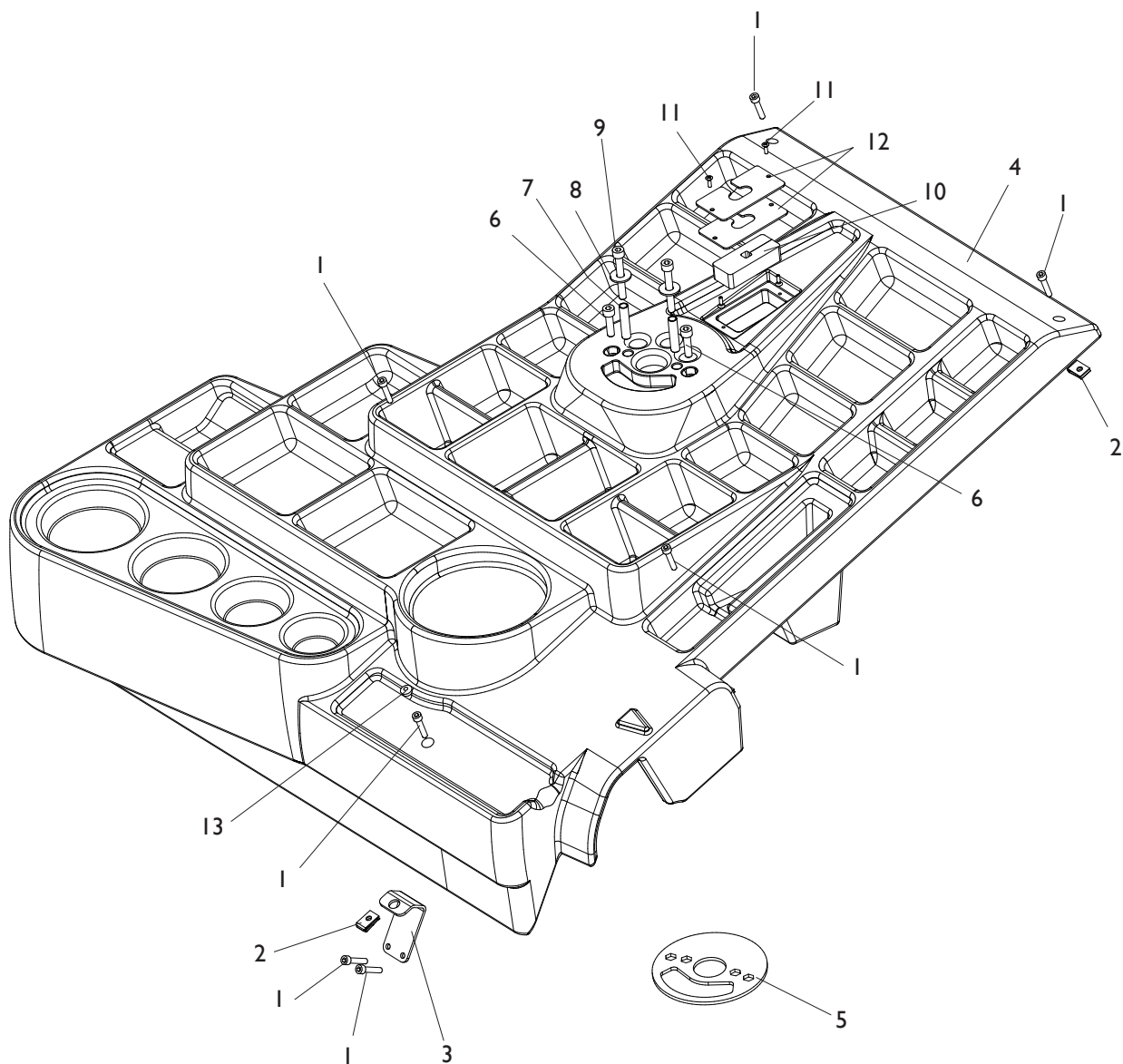


**TORNA AL COMPLESSIVO
RETURNS TO OVERALL**

Rif. Ref.	Codice Code	Descrizione	Description
1	2-02155	VTBEI M6X16	ROUNDED HEAD SCREW SOCKET M6X16
2	461234	PRESSACAVO	PRESSACAVO
3	5-120053	ATTACCO PEDALE	PEDAL CONNECTION
4	2-00149	DADO ES.N. M4	NORMAL HEXAGON NUT M4
5	2-00735	VTCEI 1/2F M4X30	CIRCULAR SOCKET HEAD SCREW 1/2F M4X30
6	2-01257	DADO ES.N.A. M6	NORMAL AUTOLOCKING HEXAGON NUT M6
7	5-120054	LAMIERA INFERIORE	LOWER PLATE
8	2-02151	VTBEI M6X8	ROUNDED HEAD SCREW SOCKET M6X8
9	2-03493	VTTL 1/2F M6X40	SCREW 1/2F M6X40
10	2-71541	ROSETTA D.4	WASHER D.4
11	4-105962	MICRO 10A	MCRO 10A
12	4-130772	DISTANZIALE D. 8X6X30	SPACER D.8X6X30
13	4-117194	LAMIERA SUPERIORE	UPPER PLATE
14	441675	ANTIVIBRANTE 20X13 M6X6	ANTIVIBRATION 20X13 M6X6
15	5-105658	PEDALE CON STAFFA	PEDAL WITH PLATE
16	4-117894	CAVO 2XI L.1500mm	CABLE 2XI L.1500mm

COPERCHIO PORTAPESI MT4000

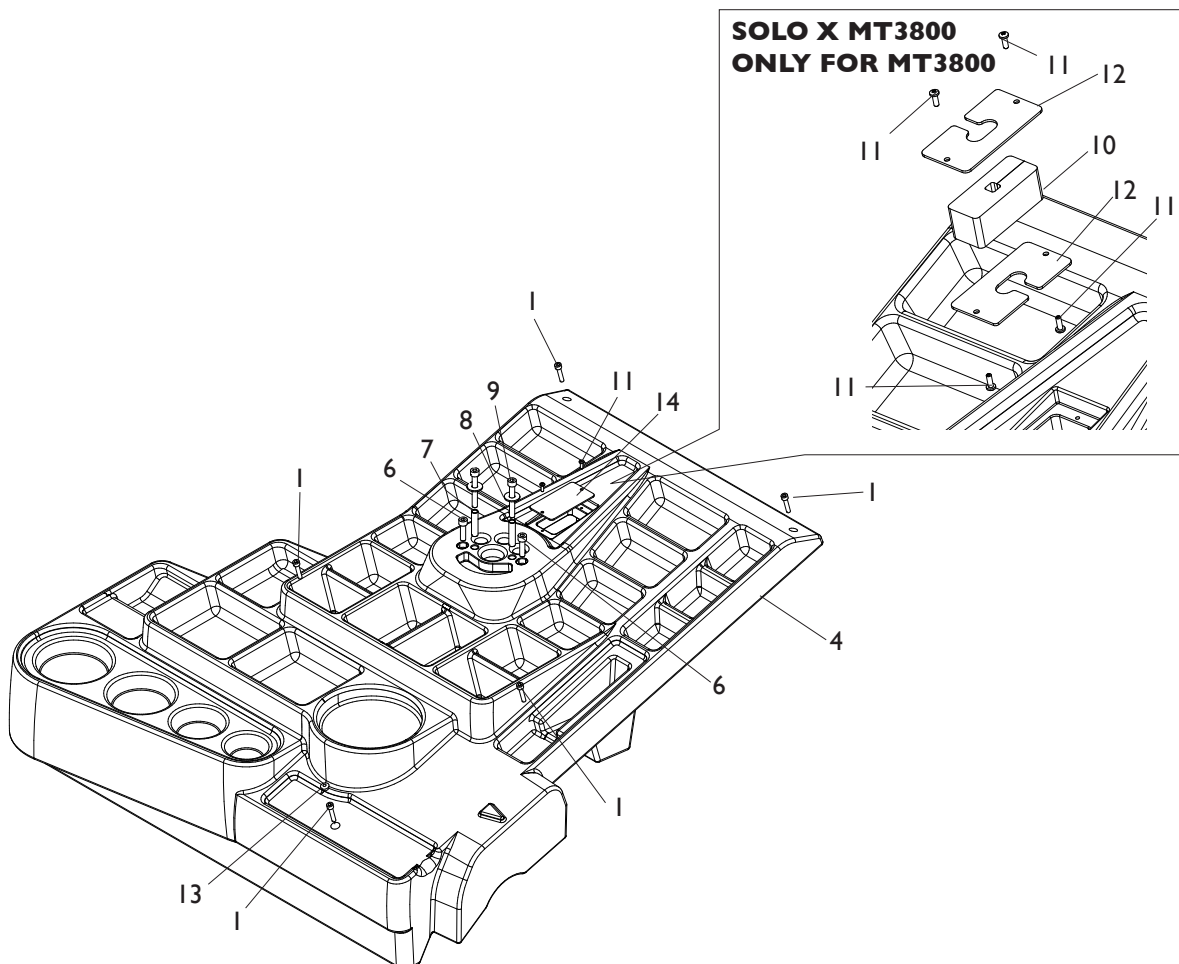
MT4000 WEIGHT HOLDERS COVER



[TORNA AL COMPLESSIVO](#)
[RETURNS TO OVERALL](#)

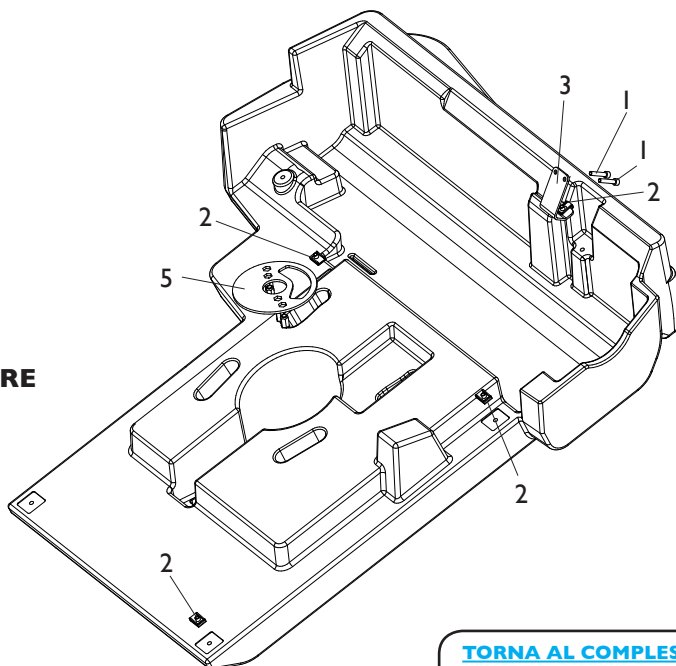
Rif. Ref.	Codice Code	Descrizione	Description
1	2-00863	VTCEI M6X30	CIRCULAR SOCKET HEAD SCREW M6X30
2	4-100615	INSERTO M6	INSERT M6
3	4-118640	STAFFA ANTERIORE	FRONT PLATE
4	4-117950	COPERCHIO PORTAPESI	COVER WEIGHT TRAY
5	5-120078	PIASTRA INFERIORE TESTATA	LOWER PLATE HEAD
6	2-02049	VTCEI M8X30	CIRCULAR SOCKET HEAD SCREW M8X30
7	4-130239	DISTANZIALE D.8,1X10X44	SPACER D.8,1X10X44
8	2-01299	RONDELLA D.9X24X2	WASHER D.9X24X2
9	2-03531	VTCEI M8X60	CIRCULAR SOCKET HEAD SCREW M8X60
10	462534	TAPPO IN GOMMA	CAP
11	2-02095	VATSCIC D.4X12	HEAD SCREW CROSS CUTTING CIRCULAR CONE D.4X12
12	4-130109	PANNELLO PASSACAVI MONITOR	PANEL MONITOR CABLE
13	454472	TAPPO NERO D.11,1	BLACK CAP D.11,1

COPERCHIO PORTAPESI MT3800-MT3500 MT3800-MT3500 WEIGHT HOLDERS COVER



**VISTA ANTERIORE
FRONT VIEW**

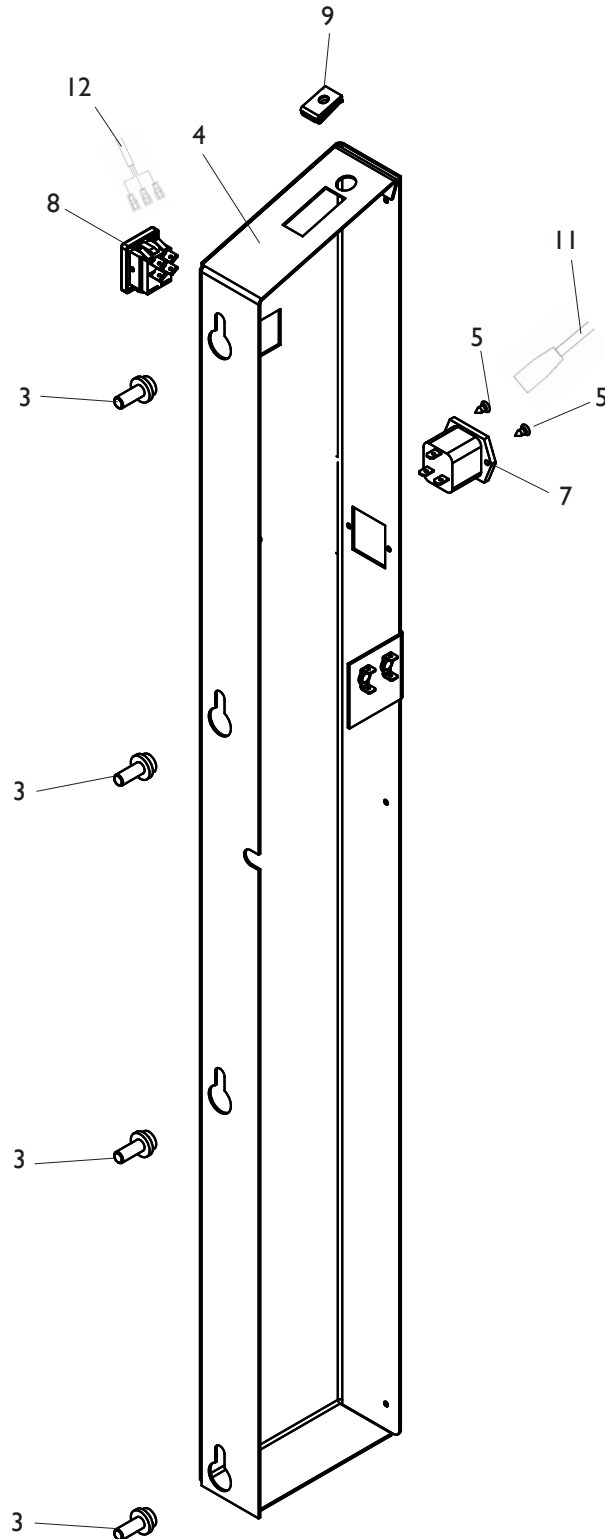
**VISTA POSTERIORE
REAR VIEW**



**TORNA AL COMPLESSIVO
RETURNS TO OVERALL**

Rif. Ref.	Codice Code	Descrizione	Description
1	2-00863	VTCEI M6X30	CIRCULAR SOCKET HEAD SCREW M6X30
2	4-100615	INSERTO M6	INSERT M6
3	4-118640	STAFFA ANTERIORE	FRONT PLATE
4	4-117949	COPERCHIO PORTAPESI	COVER WEIGHT TRAY
5	5-120078	PIASTRA INFERIORE TESTATA	LOWER PLATE HEAD
6	2-02049	VTCEI M8X30	CIRCULAR SOCKET HEAD SCREW M8X30
7	4-130239	DISTANZIALE D.8,1X10X44	SPACER D.8,1X10X44
8	2-01299	RONDELLA D.9X24X2	WASHER D.9X24X2
9	2-03531	VTCEI M8X60	CIRCULAR SOCKET HEAD SCREW M8X60
10	462534	TAPPO IN GOMMA (SOLO X MT3800)	CAP (ONLY FOR MT3800)
11	2-02095	VATSCIC D.4X12	HEAD SCREW CROSS CUTTING CIRCULAR CONE D.4X12
12	4-130109	PANN. PASSACAVI MONITOR (SOLO X MT3800)	PANEL MONITOR CABLE (ONLY FOR MT3800)
13	454472	TAPPO NERO D.11,1	BLACK CAP D.11,1
14	4-130679	PIASTRA CHIUSURA (SOLO X MT3500)	PLATE 95X50 (ONLY FOR MT3500)

COLONNA POSTERIORE SX REAR LEFT COLUMN

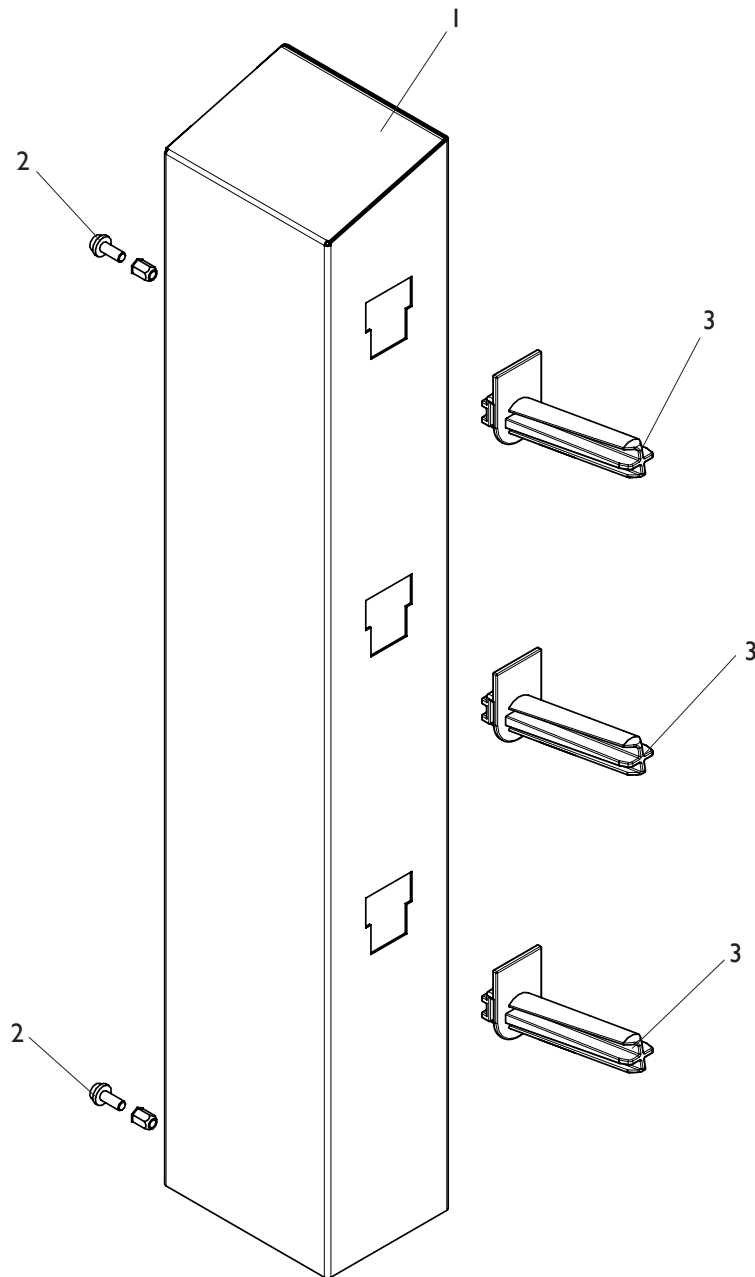


[TORNA AL COMPLESSIVO](#)
[RETURNS TO OVERALL](#)

Rif. Ref.	Codice Code	Descrizione	Description
3	457693	VTCEI FLANGIATA M8X20	CIRCULAR SOCKET HEAD SCREW M8X20
4	5-120079	COLONNA POSTERIORE	REAR COLUMN
5	2-01945	VATSPIC D.3,9X9,5	TAPPING SCREW PLAT SOCKET CSK D.3,9X9,5
7	3-02943	SPINA BIPOLARE 10A-250V	BIPOLAR PLUG 10A-250V
8	3-02944	INTERRUTTORE BIPOLARE	BIPOLAR SWITCH
9	4-100615	INSERTO M6	INSERT M6
11	3-01943	CAVO RETE 2-2,5MT	FIDING CABLE 2-2,5MT
12	4-117898	CAVO ALIMENTAZIONE F. PRESA VDE	VDE POWER CABLE

COLONNA POSTERIORE DX MT3800-MT3500

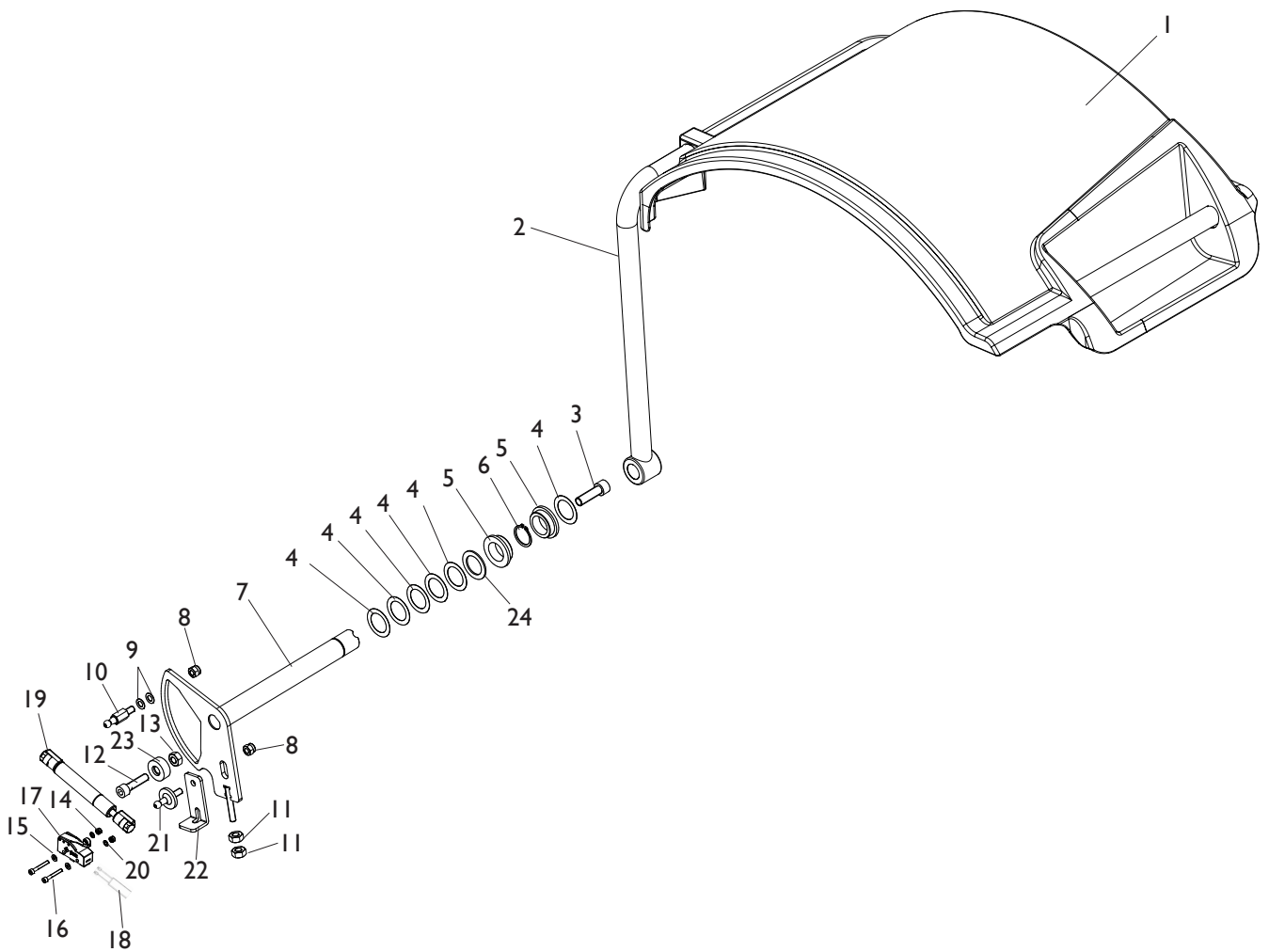
MT3800-MT3500 RIGHT REAR COLUMN



[TORNA AL COMPLESSIVO](#)
[RETURNS TO OVERALL](#)

Rif. Ref.	Codice Code	Descrizione	Description
1	5-120059	COLONNA POSTERIORE DX	RIGHT REAR COLUMN
2	457693	VTCEI FLANGIATA M8X20	CIRCULAR SOCKET HEAD SCREW M8X20
3	438319	PORTAFLANGIA A SLITTA	SLIDING HOLDER FLANGE

GRUPPO PROTEZIONE PROTECTION GROUP

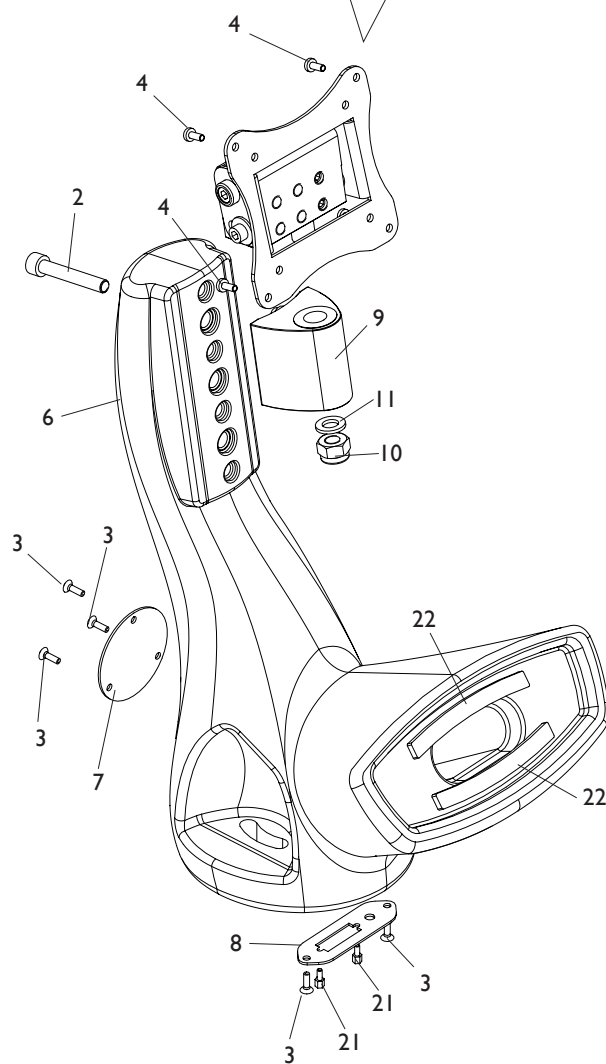
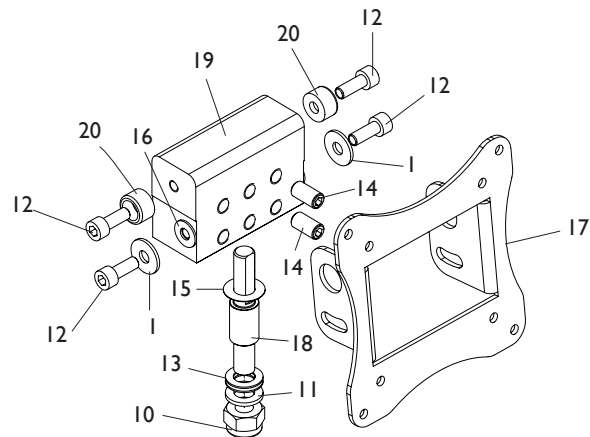


[TORNA AL COMPLESSIVO](#)
[RETURNS TO OVERALL](#)

Rif. Ref.	Codice Code	Descrizione	Description
1	4-105459	PROTEZIONE RUOTA 44"	WHEEL PROTECTION 44"
2	5-120580	TUBO ESTERNO PROTEZIONE	EXTERNAL TUBE PROTECTION
3	2-03001	VTCEI M12X40	CIRCULAR SOCKET HEAD SCREW M12X40
4	436721	RONDELLA D.29X42X0,5	WASHER D.29X42X0,5
5	433637	BOCCOLA FLANGIATA D.28X38X13	BUSH D.28X38X13
6	2-01110	SEEGER D.28	SEEGER D.28
7	4-131513	CAMMA PROTEZIONE	PROTECTION PIN
8	2-01020	DADO ES.A. M8	AUTOLOCKING HEXAGON NUT M8
9	2-00193	ROSETTA D.8	WASHER D.8
10	4-131514	SNODO M8 D.10	JOINT M8 D.10
11	2-00112	DADO ES. M8	HEXAGON NUT M8
12	2-01191	VTCEI M10X25	CIRCULAR HEX. HEAD SCREW M10X25
13	2-00152	DADO ES. M10	HEXAGON NUT M10
14	2-02883	DADO ES.A. M4	AUTOLOCKING HEXAGON NUT M4
15	2-00209	RONDELLA D.4	WASHER D.4
16	2-02078	VTCEI 1/2F M4X30	CIRCULAR SOCKET HEAD SCREW 1/2F M4X30
17	4-109005	MICRO I6A	MICRO I6A
18	4-109501	CAVO 2P L.1400mm	CABLE 2P L.1400mm
19	4-131899	MOLLA GAS	GAS SPRING
20	2-00196	RONDELLA D.4	WASHER D.4
21	4-131515	SNODO M8	JOINT M8
22	4-131516	STAFFA FISSAGGIO MOLLA A GAS	GAS SPRING BRACKET
23	4-118425	TAMPONE D.30X13	PAD D.30X13
24	4-109006	RONDELLA D.28,5X42X2	WASHER D.28,5X42X2

GRUPPO TESTATA MT4000-MT3800

MT4000-MT3800 HEAD GROUP

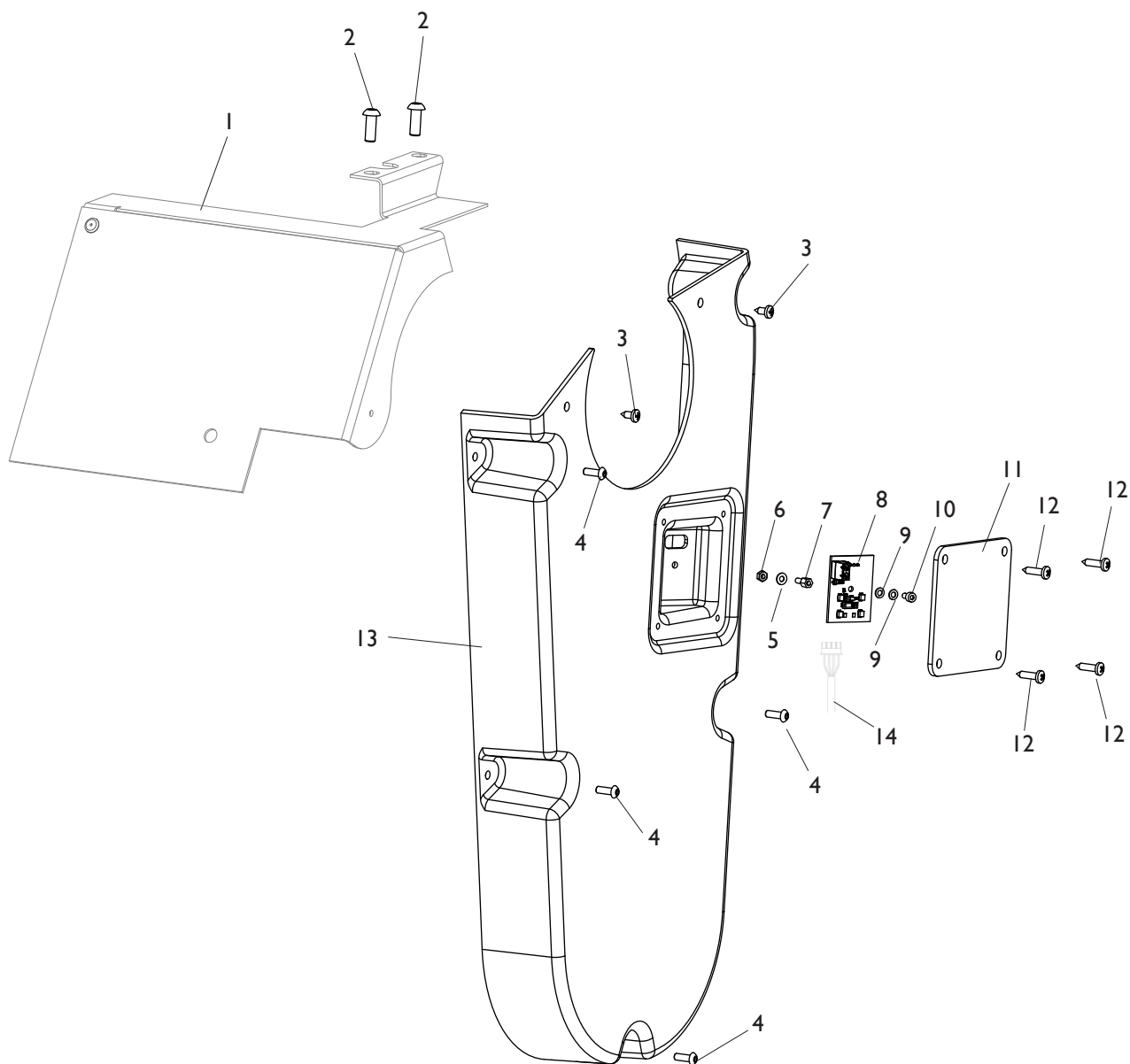


TORNA AL COMPLESSIVO
RETURNS TO OVERALL

Rif. Ref.	Codice Code	Descrizione	Description
1	2-00679	RONDELLA D.6,6X18X1,6	WASHER D.6,6X18X1,6
2	2-80015	VTCEI M8X50	CIRCULAR SOCKET HEAD SCREW M8X50
3	2-02054	VATSCIC D.3,5X12	TAPPING SCREW PLAT SOCKET CSK D.3,5X12
4	2-00605	VTIC M4X10	CIRCULAR CROSS HEAD SCREW CUTTING M4X10
6	4-105906	SUPPORTO MONITOR LCD	LCD MONITOR SUPPORT
7	4-118325	PIASTRA CHIUSURA	PLATE CLOSING
8	4-118373	PIASTRA	PLATE
9	4-105400	BLOCCHETTO	BLOCK
10	2-01019	DADO ES.N.A. M10	NORMAL AUTOLOCKING HEXAGON NUT M10
11	2-02067	RONDELLA D.10	WASHER D.10
12	2-02378	VTCEI M6X16	CIRCULAR SOCKET HEAD SCREW M6X16
13	2-02993	ROSETTA D.10	WASHER D.10
14	2-71768	VSTEI M8X16	CSK SCREW ROUND SOCKET M8X16
15	310842	RONDELLA D.10,25X20X0,3	WASHER D.10,25X20X0,3
16	3-01756	RONDELLA D.6,2X14X1	WASHER D.6,2X14X1
17	4-111291	PIASTRA MONITOR	MONITOR PLATE
18	4-118828	PERNO VERTICALE	VERTICAL PIN
19	4-118829	CORPO SNODO	BODY JOINT
20	4-118830	BOCCOLA FULCRO SNODO	BUSHING FULCRUM JOINT
21	431812	DISTANZIALE	SPACER
22	4-106013	VELCRO ADESIVO	LABEL

GRUPPO ILLUMINATORE MT4000

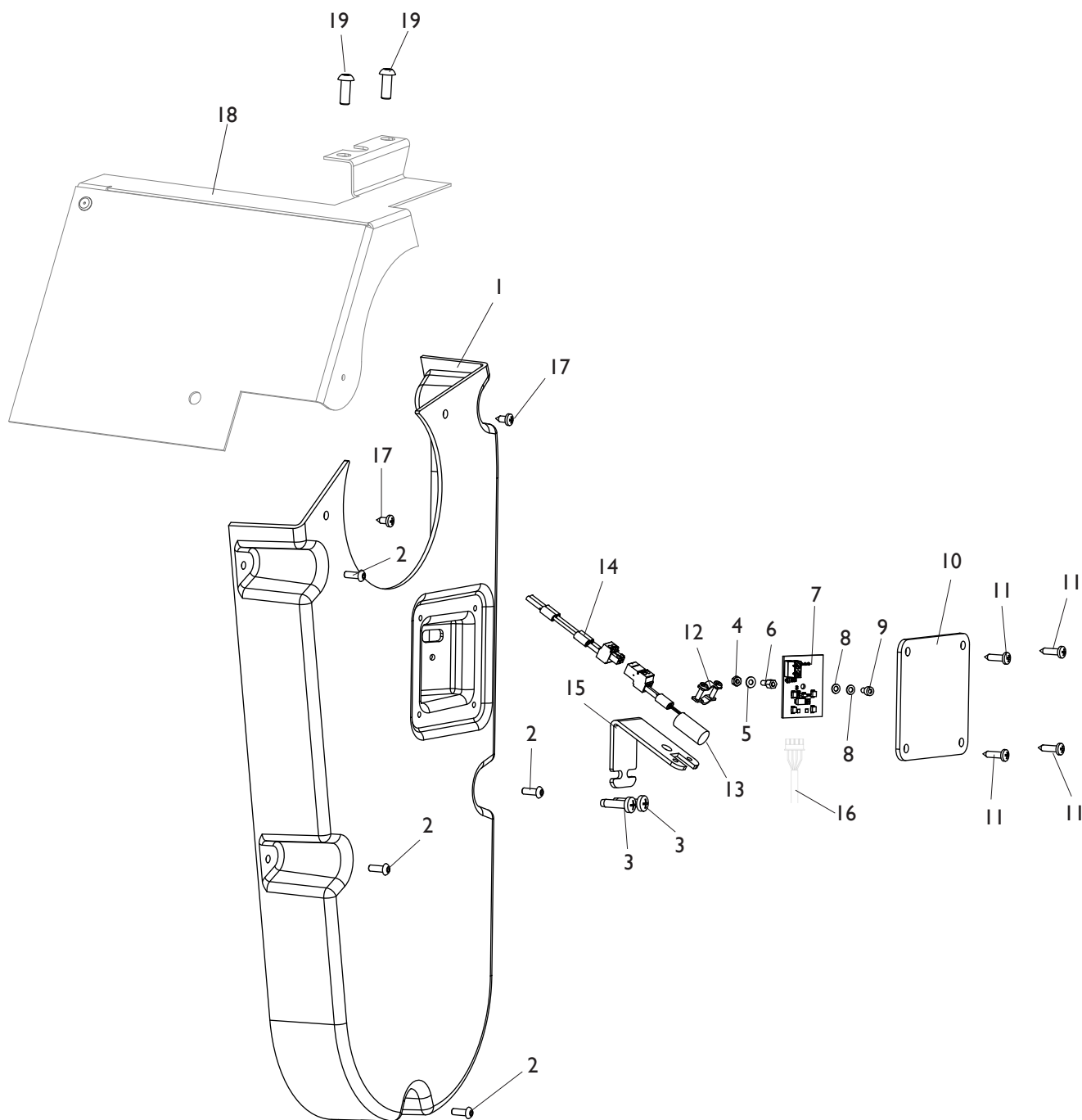
MT4000 LIGHTING GROUP



TORNA AL COMPLESSIVO
RETURNS TO OVERALL

Rif. Ref.	Codice Code	Descrizione	Description
1	5-120080	CARTER PROTEZIONE	PROTECTION COVER
2	2-02155	VTBEI M6X16	ROUNDED HEAD SCREW SOCKET M6X16
3	2-80171	VATBIC D.3,9X9,5	ROUNDED HEAD SCREW TAPPING CROSS CUT D.3,9X9,5
4	2-02146	VTBEI M4X12	ROUNDED HEAD SCREW SOCKET M4X12
5	2-00208	RONDELLA D.3	WASHER D.3
6	2-00142	DADO ES.N. M3	NORMAL HEXAGON NUT M3
7	436072	DISTANZIALE M3	SPACER M3
8	4-113647	SK ILLUMINATORE	LIGHTING P.C. BOARD
9	448482	RONDELLA D.3	WASHER D.3
10	2-00284	VTCEI M3X6	CIRCULAR SOCKET HEAD SCREW M3X6
11	4-116237	PROTEZIONE SK	BOARD PROTECTION
12	2-94134	VATBIC D.3,9X16	ROUNDED HEAD SCREW TAPPING CROSS CUT D.3,9X16
13	4-116235	CARTER	COVER
14	4-113078	CAVO L.2000mm	CABLE L.2000mm

GRUPPO ILLUMINATORE MT3800-MT 3500 MT3800-MT3500 LIGHTING GROUP

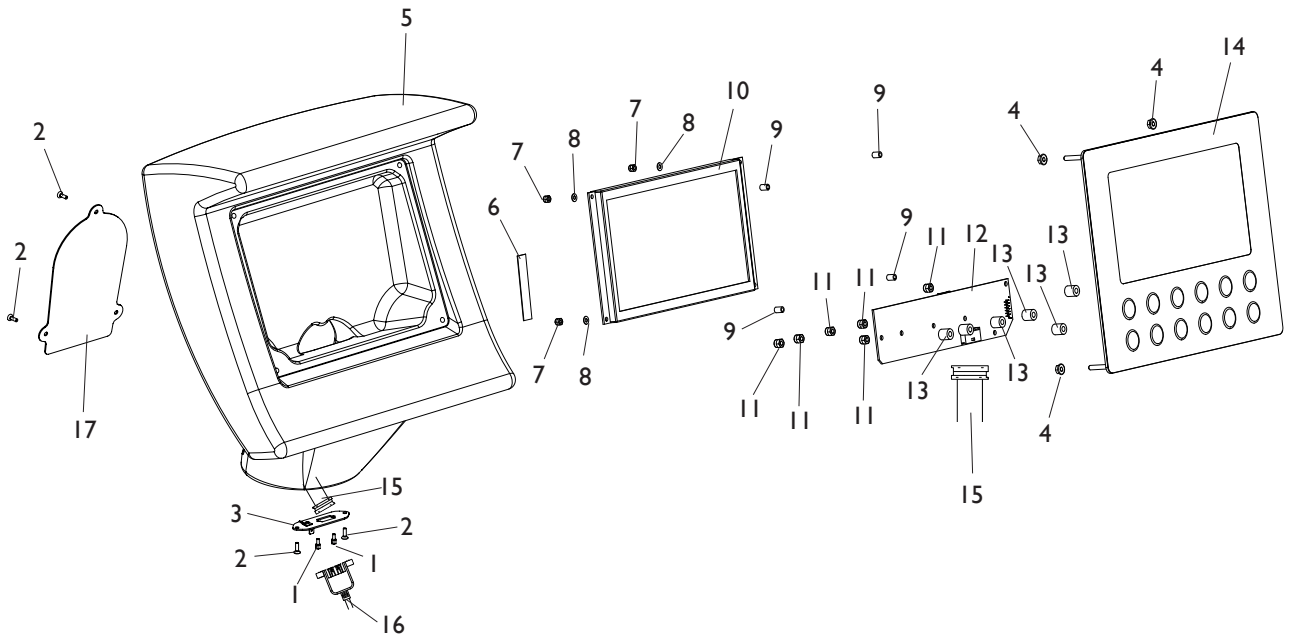


TORNA AL COMPLESSIVO
RETURNS TO OVERALL

Rif. Ref.	Codice Code	Descrizione	Description
1	5-120081	CARTER	COVER
2	2-02146	VTBEI M4X12	ROUNDED HEAD SCREW SOCKET M4X12
3	2-03103	VATCCIC M5X20	SCREW TAPPING HEAD CUTTING CIRCULAR CROSS M5X20
4	2-00142	DADO ES.N. M3	NORMAL HEXAGON NUT M3
5	2-00208	RONDELLA D.3	WASHER D.3
6	436072	DISTANZIALE M3	SPACER M3
7	4-113647	SK ILLUMINATORE	LIGHTING P.C. BOARD
8	448482	RONDELLA D.3	WASHER D.3
9	2-00284	VTCEI M3X6	CIRCULAR SOCKET HEAD SCREW M3X6
10	4-116237	PROTEZIONE SK	BOARD PROTECTION
11	2-94134	VATBIC D.3,9X16	ROUNDED HEAD SCREW TAPPING CROSS CUT D.3,9X16
12	3-02950	CLIP IN METALLO	METAL CLIP
13	5-120308	DIODO LASER	DIODE LASER
14	4-117954	CAVO 2X0,5 2P L.600mm	CABLE 2X0,5 2P L.600mm
15	4-116240	SUPPORTO DIODO	SUPPORT DIODE
16	4-113078	CAVO L.2000mm	CABLE L.2000mm
17	2-80171	VATBIC D.3,9X9,5	ROUNDED HEAD SCREW TAPPING CROSS CUT D.3,9X9,5
18	5-120080	CARTER PROTEZIONE	PROTECTION COVER
19	2-02155	VTBEI M6X16	ROUNDED HEAD SCREW SOCKET M6X16

GRUPPO DISPLAY MT3500

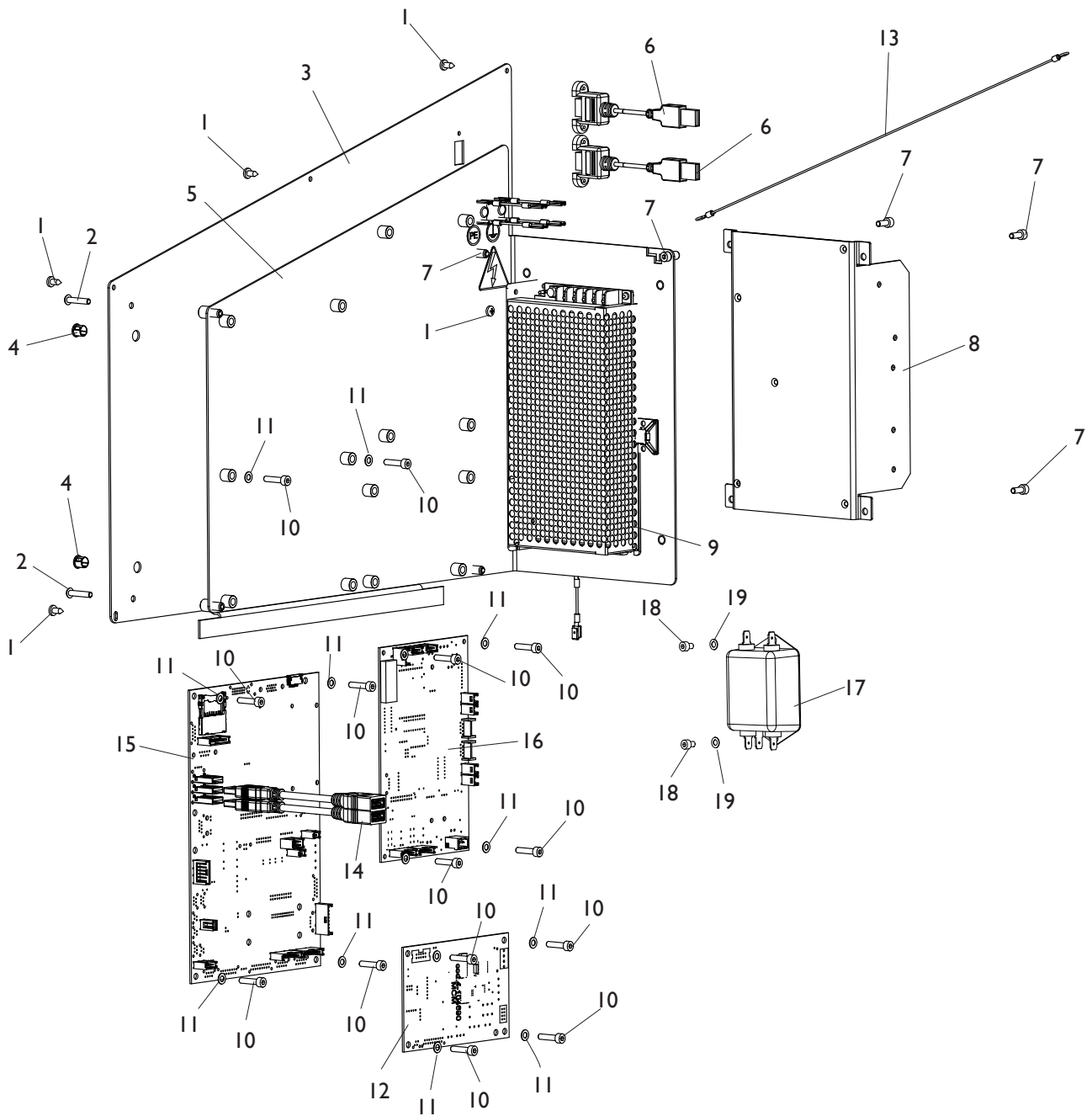
MT3500 DISPLAY GROUP



TORNA AL COMPLESSIVO
RETURNS TO OVERALL

Rif. Ref.	Codice Code	Descrizione	Description
1	431812	COLONNETTA	COLUMN
2	2-02054	VATSCIC D.3,5X12	TAPPING SCREW PLAT SOCKET CSK D.3,5X12
3	4-118695	PIASTRA FISSAGGIO CONN.VASHETTA 9P	PLATE CONNECTOR 9P
4	2-80078	DADO ES.FLANGIATO M4	HEXAGON NUT M4
5	4-105307	TESTATA DISPLAY	DISPLAY HEAD
6	4-118258	FLAT 10VIE L.152mm	FLAT CABLE 10-WAY L.152mm
7	2-01017	DADO ES.N.A. M3	NORMAL AUTOLOCKING HEXAGON NUT M3
8	2-00208	RONDELLA D.3	WASHER D.3
9	33021053	DISTANZIALE	SPACER
10	4-104694	SK VISUALIZZAZIONE LCD	LCD DISPLAY P.C. BOARD
11	2-01018	DADO ES.N.A. M4	NORMAL AUTOLOCKING HEXAGON NUT M4
12	5-103504	SK INTERFACCIA TASTIERA	KEYBOARD INTERFACE P.C. BOARD
13	438996	DISTANZIALE	SPACER
14	4-118477	PANNELLO DISPLAY	DISPLAY PANEL
15	4-106053	FLAT L.300mm	FLAT CABLE L.300mm
16	4-106012	CAVO PROLUNGA A VASH. 9P L.2000mm	EXTENTION CABLE 9P L.2000mm
17	4-118479	PANNELLO CHIUSURA TESTATA	CLOSING PANEL HEAD

PANNELLO ELETTRICO ELECTRIC PANEL

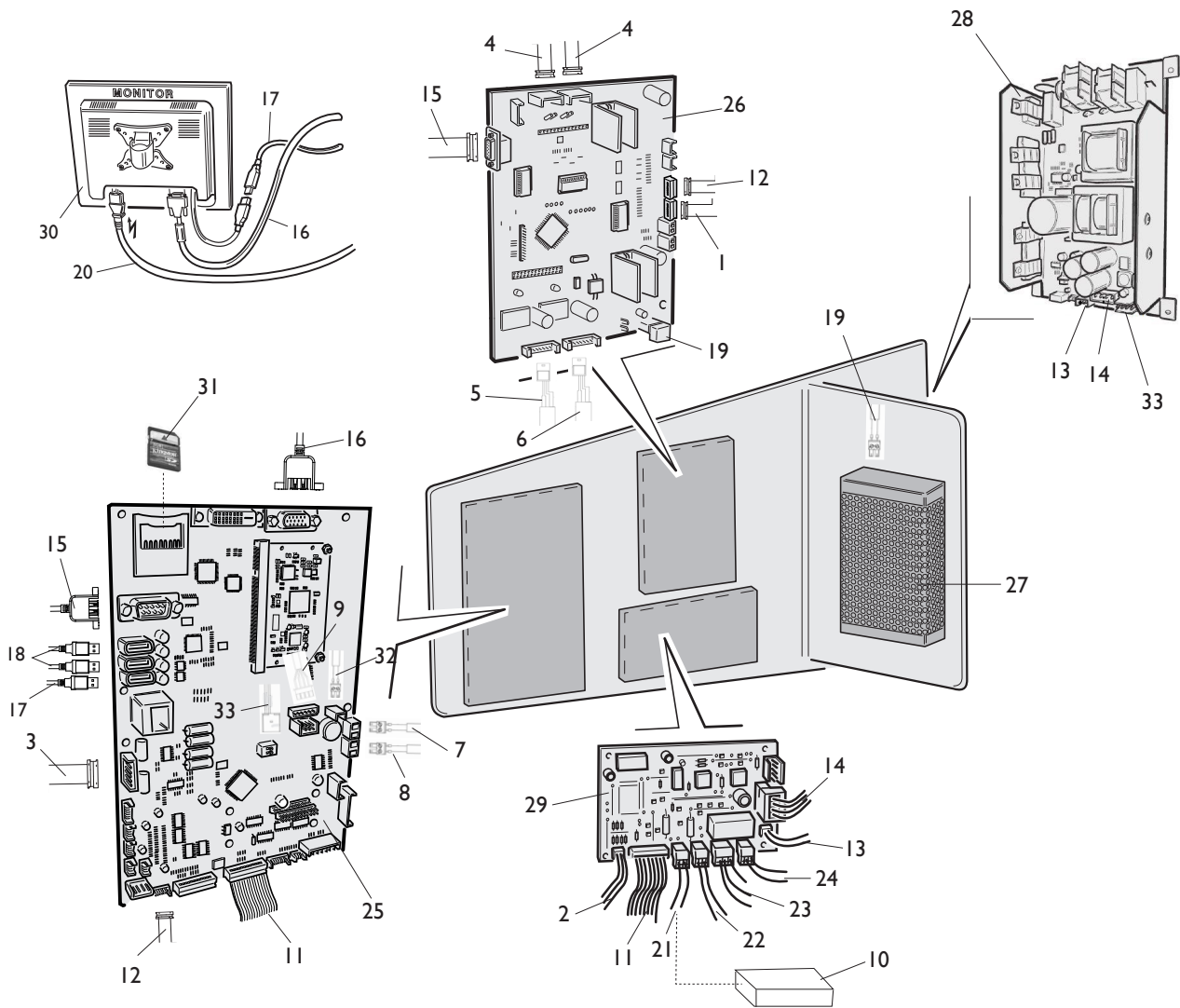


**TORNA AL COMPLESSIVO
RETURNS TO OVERALL**

Rif. Ref.	Codice Code	Descrizione	Description
1	2-80171	VATBIC D.3,9X9,5	ROUNDED HEAD SCREW TAPPING CROSS CUT D.3,9X9,5
2	2-02164	VTBEI M4X20	ROUNDED HEAD SCREW SOCKET M4X20
3	4-117523	PANNELLO DI CHIUSURA	CLOSING PANEL
4	445294	TAPPO NERO D.7,9	BLACK PLUG D.7,9
5	5-120062	SUPPORTO SK	SUPPORT BOARDS
6	4-113407	CAVO PROLUNGA USB	CABLE USB EXTENSION
7	2-02080	VTCEI M4X10	CIRCULAR SOCKET HEAD SCREW M4X10
8	5-102761B	SK ALIMENTATORE	POWER SUPPLY BOARD
9	3-10019	ALIMENTATORE 150W 24V	POWER SUPPLY 150W 24V
10	2-80099	VTCEI M4X18	CIRCULAR SOCKET HEAD SCREW M4X18
11	2-03363	ROSETTA D.4	WASHER D.4
12	5-120263	SK MOTORI (MCM)	MOTOR P.C.. BOARD (MCM)
13	4-117188	CAVO CASSETTA ELETTRICA	CABLE ELECTRICAL BOX
14	1060127	CAVO PROLUNGA USB	CABLE USB EXTENSION
15	5-121045	SK MBUGRF-2 MT4000	P.C. BOARD MBUGRF-2 MT4000
15	5-120065	SK MBUGRF-2 MT3800	P.C.BOARD MBUGRF-2 MT3800
15	5-120066	SK MBU 32F MT3500	P.C.BOARD MBU 32F MT3500
16	5-120068	SK ACQ-MUX MT4000	P.C.BOARD ACQ-MUX MT4000
17	448914	FILTRO RETE 115/250V 6A	FILTER 115/250V 6A
18	2-02819	VTCEI M4X6	CIRCULAR SOCKET HEAD SCREW M4X6
19	2-03363	ROSETTA D.4	WASHER D.4

CABLAGGI ELETTRICI MT4000

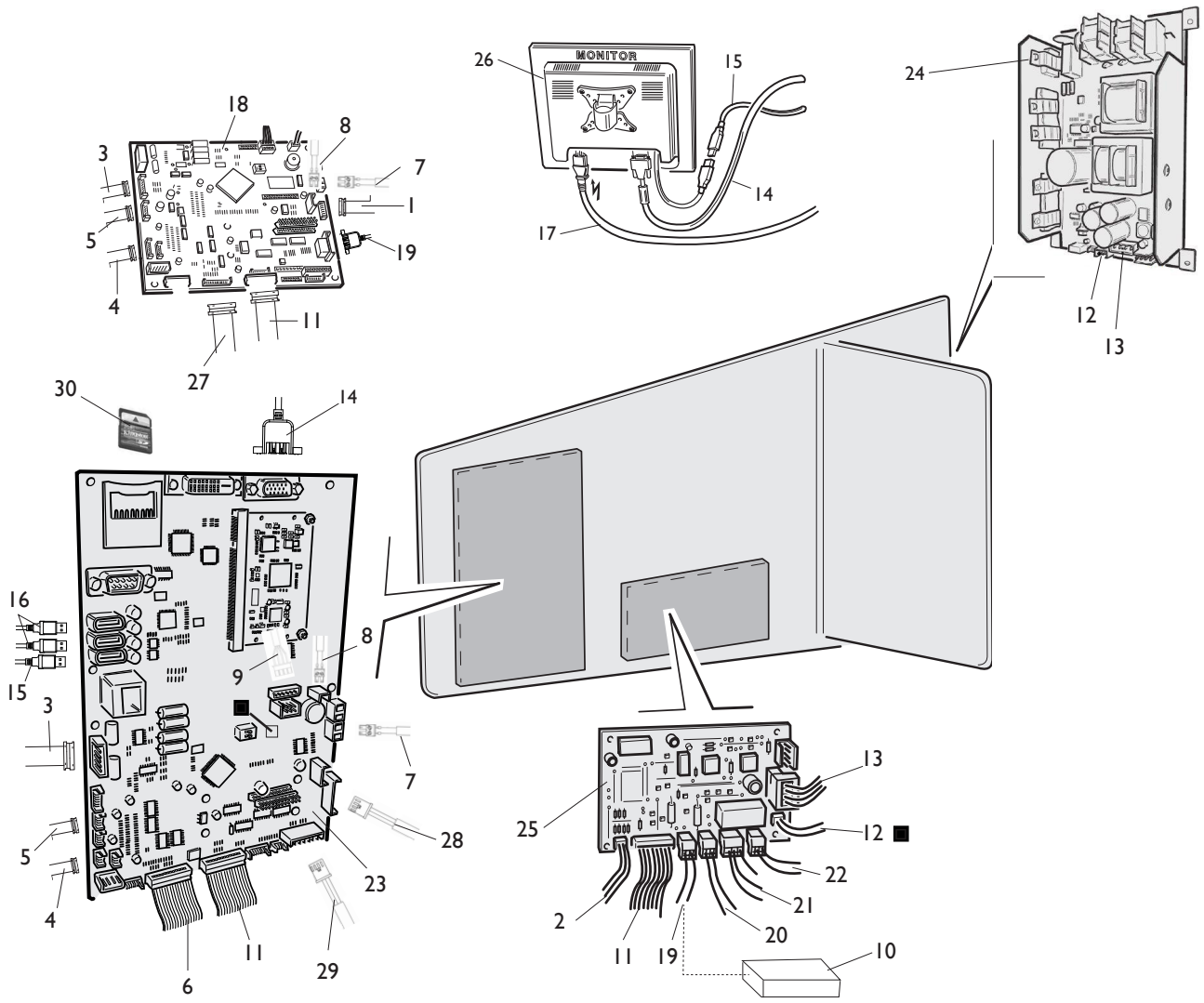
MT4000 ELECTRICAL WIRING



[TORNA AL COMPLESSIVO](#)
[RETURNS TO OVERALL](#)

Rif. Ref.	Codice Code	Descrizione	Description
1	449319	FLAT 8VIE L.1100mm	FLAT CABLE 8WAY L.1100mm
2	4-102558	FLAT 4VIE L.800mm	FLAT CABLE 4WAY L.800mm
3	5-103533	PICK-UP	PICK-UP
4	5-102440	CAVO SENSORE LASER	LASER SENSOR CABLE
5	4-118216	CAVO 4X0,22 6P L.650mm	CABLE 4X0,22 6P L.650mm
6	4-117895	CAVO 4X0,22 6P L.900mm	CABLE 4X0,22 6P L.900mm
7	4-130704	CAVO 2x0,34 L.1100mm	CABLE 2x0,34 L.1100mm
8	4-117894	CAVO 2X1 L.1500mm	CABLE 2X1 L.1500mm
9	4-113078	CAVO L.2000mm	CABLE L.2000mm
10	4-118395	SK FILTRO LC	LC FILTER
11	4-109502	FLAT 18VIE L.250mm	FLAT CABLE 18-WAY L.250mm
12	4-118110	FLAT 8VIE L.650mm	FLAT CABLE 8-WAY L.650mm
13	4-132831	CAVO ALIMENTAZIONE 6X0.22 L.510mm	POWER CABLE 6X0.22 L.510mm
14	4-105030	CAVO ALIMENTAZIONE SWITCH-MCM 48V	POWER CABLE SWITCH-MCM 48V
15	442198	CAVO SERIALE 9PIN L.2000mm	SERIAL CABLE 9PIN L.2000mm
16	4-107133	CAVO PROLUNGA A VASH. 15HD L.3000mm	EXTENTION CABLE 15HD L.3000mm
17	1060127	CAVO PROLUNGA USB	CABLE USB EXTENSION
18	4-113407	CAVO PROLUNGA USB	CABLE USB EXTENSION
19	4-107112	CAVO 2P L.500mm	CABLE 2P L.500mm
20	4-117898	CAVO ALIMENTAZIONE F. PRESA VDE	VDE POWRE CABLE
21	5-104252	FRENO	BRAKE
22	5-101987	FRIZIONE	CLUTCH
23	5-103007	MOTORE 48V	MOTOR 48V
24	4-105403	MOTORIDUTTORE	MOTOR GEAR
25	5-121045	SK MBUGRF-2	P.C. BOARD MBUGRF-2
26	5-120068	SK ACQ-MUX	P.C.BOARD ACQ-MUX
27	3-10019	ALIMENTATORE 150W 24V	POWER SUPPLY 150W 24V
28	5-102761B	SK ALIMENTATORE	POWER SUPPLY BOARD
29	5-120263	SK MOTORI (MCM)	MOTOR P.C.. BOARD (MCM)
30	4-118435	MONITOR LCD TOUCHSCREEN	TOUCHSCREEN LCD MONITOR
31	5-120230	SD MT4000	SD MT4000
32	4-109501	CAVO 2P L.1400mm	CABLE 2P L.1400mm
33	4-132830	CAVO 2XAWG 22 L.400mm	CABLE 2XAWG 22 L.400mm

CABLAGGI ELETTRICI MT3800-MT3500 MT3800-MT3500 ELECTRICAL WIRING

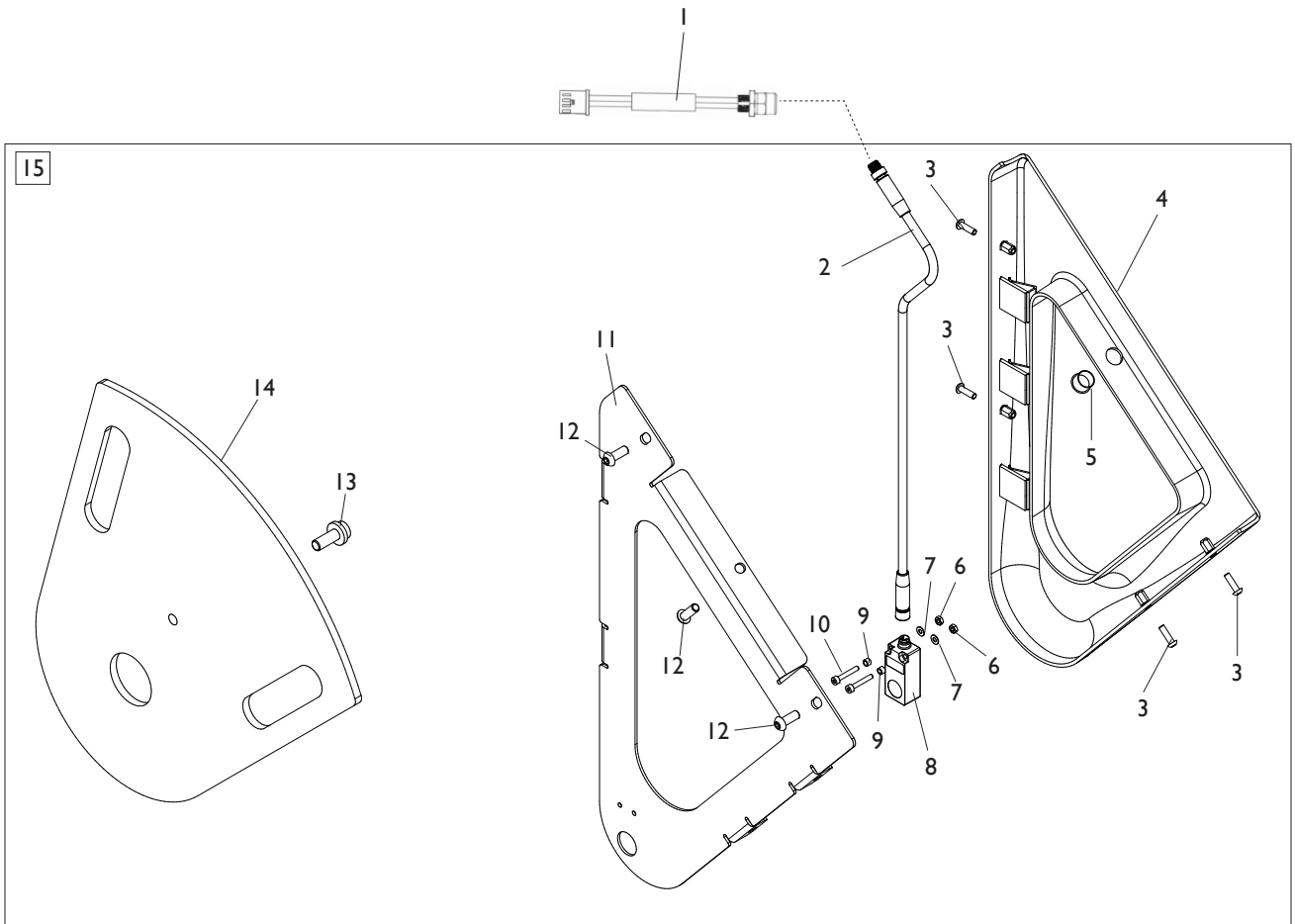


**TORNA AL COMPLESSIVO
RETURNS TO OVERALL**

Rif. Ref.	Codice Code	Descrizione	Description
1	449319	FLAT 8VIE L.1100mm	FLAT CABLE 8 WAY L.1100mm
2	4-102558	FLAT 4VIE L.800mm	FLAT CABLE 4 WAY L.800mm
3	5-103533	PICK-UP	PICK-UP
4	4-109588	FLAT 6VIE L.1100mm	FLAT CABLE 6-WAY L.1100mm
5	4-109760	FLAT 4VIE L.2200mm	FLAT CABLE 4-WAY L.2200mm
6	4-106038	FLAT 16VIE L.600mm (MT3800)	FLAT CABLE 16-WAY L.600mm (MT3800)
7	4-117894	CAVO 2X1 L.1500mm	CABLE 2X1 L.1500mm
8	4-109501	CAVO 2P L.1400mm	CABLE 2P L.1400mm
9	4-113078	CAVO L.2000mm	CABLE L.2000mm
10	4-118395	SK FILTRO LC	LC FILTER
11	4-109502	FLAT 18VIE L.250mm	FLAT CABLE 18-WAY L.250mm
12	4-111346	CAVO ALIMENTAZIONE MCM-MBU 32F	POWER CABLE MCM-MBU32F
13	4-105030	CAVO ALIMENTAZIONE SWITCH-MCM 48V	POWER CABLE SWITCH-MCM 48V
14	4-107133	CAVO PROLUNGA A VASH. 15HD L.3000mm	EXTENTION CABLE 15HD L.3000mm
15	1060127	CAVO PROLUNGA USB	CABLE USB EXTENSION
16	4-113407	CAVO PROLUNGA USB	CABLE USB EXTENSION
17	4-117898	CAVO ALIMENTAZIONE F. PRESA VDE	VDE POWRE CABLE
18	5-120066	SK MBU 32F (MT3500)	P.C.BOARD MBU 32F (MT3500)
19	5-104252	FRENO	BRAKE
20	5-101987	FRIZIONE	CLUTCH
21	5-103007	MOTORE 48V	MOTOR 48V
22	4-105403	MOTORIDUTTORE	MOTOR GEAR
23	5-120065	SK MBUGRF-2 (MT3800)	P.C.BOARD MBUGRF-2 (MT3800)
24	5-102761B	SK ALIMENTATORE	POWER SUPPLY BOARD
25	5-120263	SK MOTORI (MCM)	MOTOR P.C.. BOARD (MCM)
26	3-00673	MONITOR 22" LCD/LED WIDE (MT3800)	LCD MONITOR 22" (MT3800)
27	4-106053	FLAT L.300mm (MT3500)	FLAT CABLE L.300mm (MT3500)
28	4-118394	CAVO SONAR	SONAR CABLE
29	4-118382	FLAT 4VIE L.350mm	FLAT CABLE 4-WAY L.350mm
30	5-120465	SD MT3800 (FINO A 04/2014)	SD MT3800 (UP TO 04/2014)
30	5-120649	SD MT3800 (DA 05/2014 A 01/2015)	SD MT3800 (SINCE 05/2014 UP TO 01/2015)
30	5-106367	SD MT3800 (DA 02/2015)	SD MT3800 SINCE (02/2015)

GRUPPO SONAR MT3800-MT3500

MT3800-MT3500 SONAR GROUP



TORNA AL COMPLESSIVO
RETURNS TO OVERALL

Rif. Ref.	Codice Code	Descrizione	Description
1	4-118394	CAVO SONAR-SK ALIM.	SONAR CABLE
2	4-118134	CAVO 4X0,35 M8 M-F	CABLE 4X0,35 M8
3	2-03494	VTBEI M4X14	ROUNDED HEAD SCREW SOCKET M4X14
4	4-117868	CARTER SENSORE	SENSOR COVER
5	435957	TAPPO NERO D.12,7	BLACK CAP D.12,7
6	2-71510	DADO ES.N. M3	NORMAL HEXAGON NUT M3
7	2-00208	RONDELLA D.3	WASHER D.3
8	4-117867	SONAR	SONAR
9	3-02948	DISTANZIALE D.3,2X4,8X3,2	SPACER D.3,2X4,8X3,2
10	2-01150	VTCEI M3X20	CIRCULAR SOCKET HEAD SCREW M3X20
11	5-120478	LAMIERA SUPPORTO SENSORE	SENSOR SUPPORT
12	2-02155	VTBEI M6X16	ROUNDED HEAD SCREW SOCKET M6X16
13	457693	VTCEI CON COLLARE M8X20	CIRCULAR SOCKET HEAD SCREW M8X20
14	4-118355	CALIBRATORE	CALIBRATOR
15	8-21100232	GRUPPO SONAR	SONAR GROUP



MONDOLFO FERRO S.p.a.
Viale dell'industria, 20 - 61037 MONDOLFO (PU) Italy
info@mondolfoferro.it
www.mondolfoferro.it

Code 4-I18380E

Production date : 02 / 2015

Il disegno è realizzato con tutti i particolari ma solo quelli codificati sono forniti come ricambi. L'Azienda si riserva la facoltà di apportare modifiche senza preavviso.

The drawing shows all parts but only the coded parts are supplied as spares. The Company reserves the right to make modifications without prior notice.