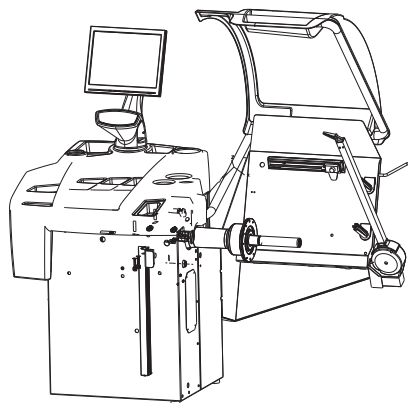
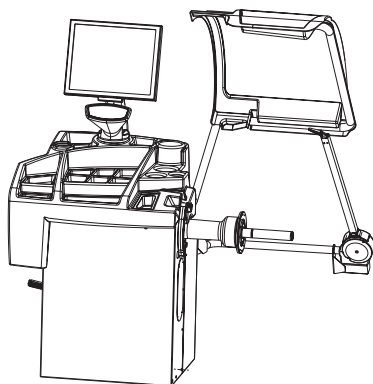
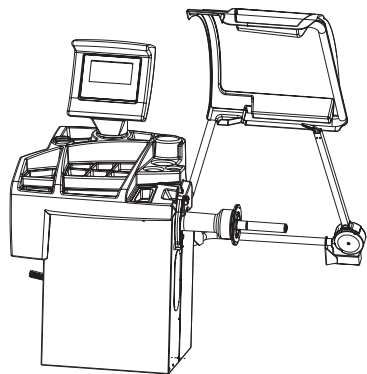




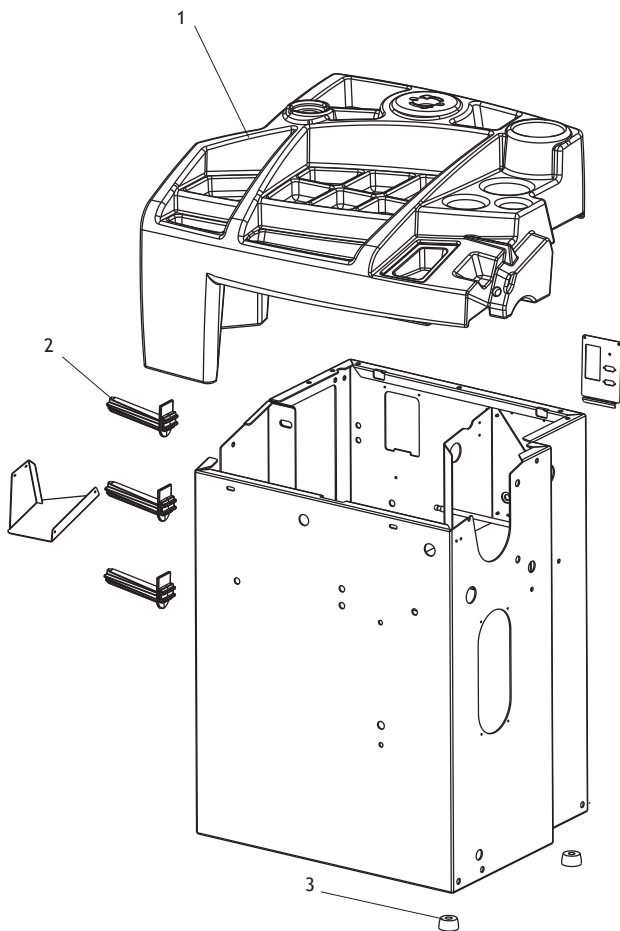
*Lista Componenti*  
*List of components*  
*Ersatzteilliste*  
*Lista de lo Componentes*



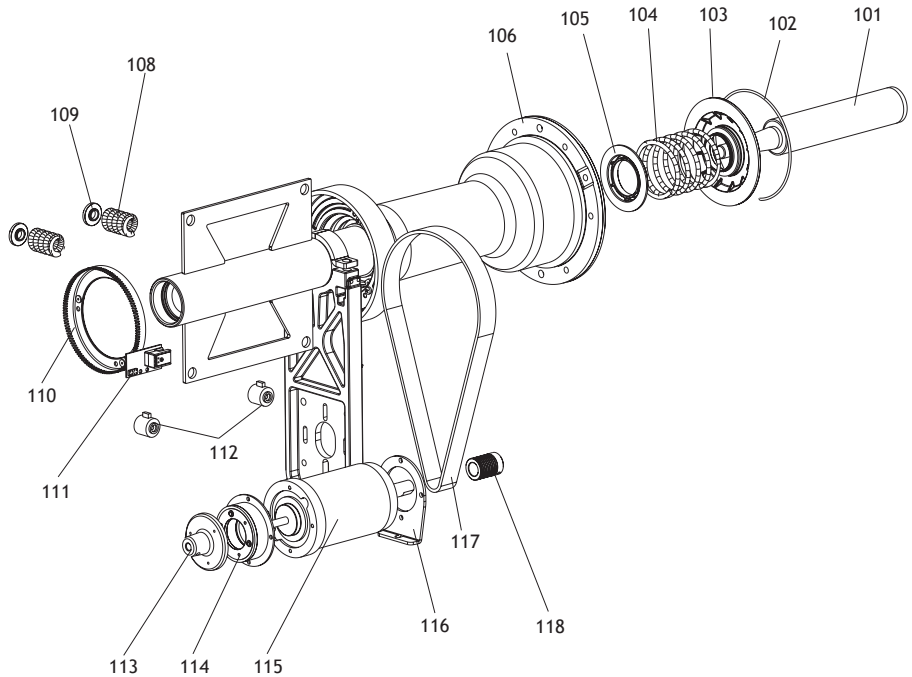
**MT 3700 ROT**

**MT 3700 - MT 3400**

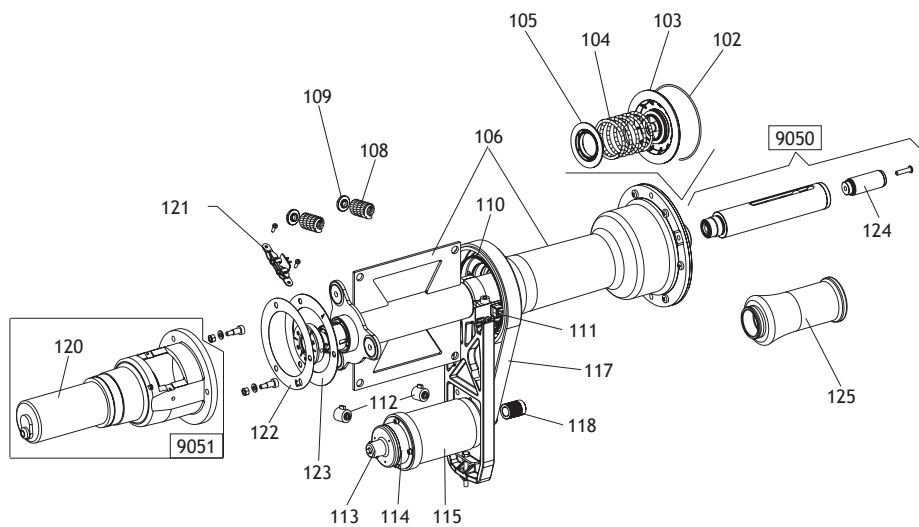
*Production 09/2010 - Code 4-109396*



0001	4-105305	PIANO PORTAPESI	LID	DECKEL	COUVERCLE
0002	438319	SUPPOTO	SUPPORT	LAGER	SUPPORT
0003	460029	PIEDE	FOOT	FUSS	PIED

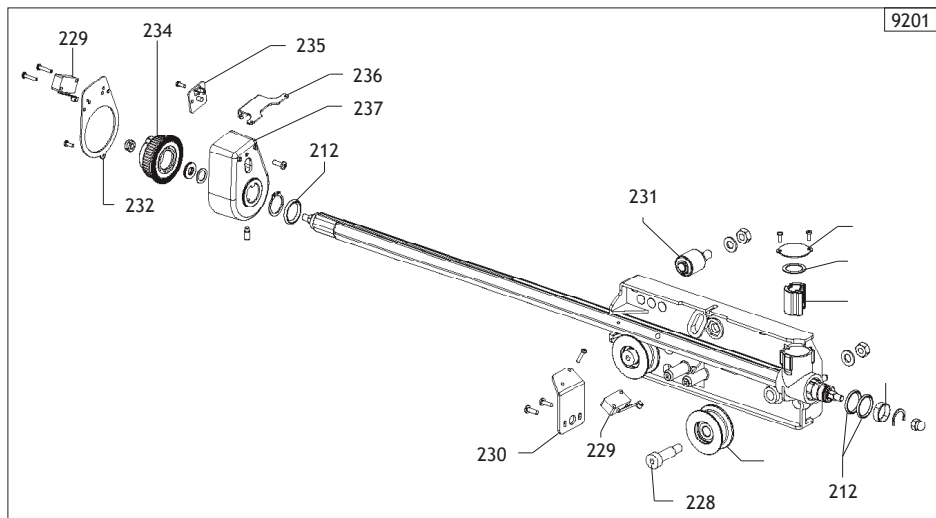
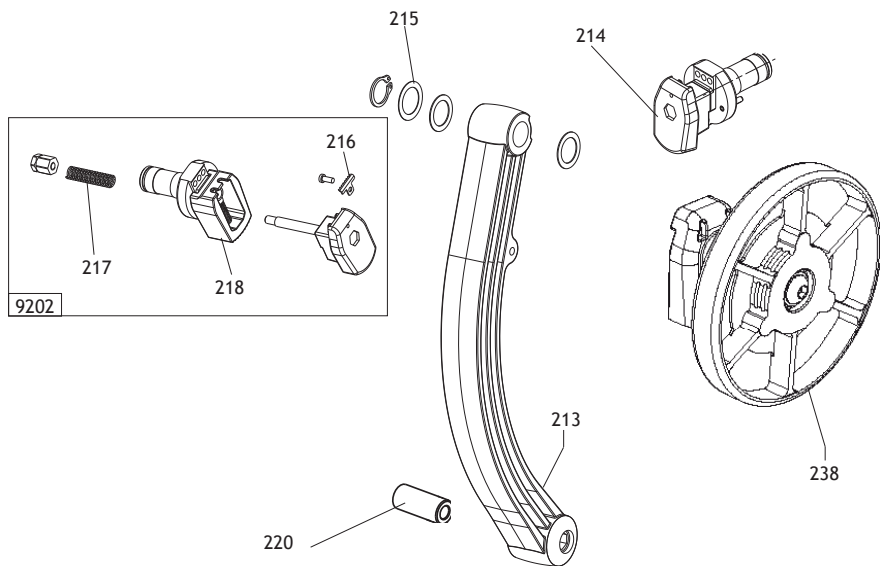


0101	5-100436	MOZZO	HUB	NABE	MOYEU
0102	4-101740	ANELLO	RING	RING	ANNEAU
0103	4-104590	DISCO	DISK	SCHEIBE	DISQUE
0104	4-104588	MOLLA	SPRING	FEDER	RESSORT
0105	4-104589	DISCO	DISK	SCHEIBE	DISQUE
0106	5-103258	GRUPPO	ASSEMBLY	GRUPPE	GROUPE
0108	4-104652	MOLLA	SPRING	FEDER	RESSORT
0109	4-104650	BOCCOLA	BUSHING	LAGER	DOUILLE
0110	5-102161	DISCO	DISK	SCHEIBE	DISQUE
0111	5-101447	SK.ENCODER	ENCODER	CODIERER	ENCODER
0112	5-102760	PICK-UP	PICK-UP	PICK-UP	PICK-UP
0113	4-104596	MOZZO	HUB	NABE	MOYEU
0114	4-104594	FRENO	BRAKE	BREMSE	FREIN
0115	5-103007	MOTORE CC+PULEGG.	MOTOR	MOTOR	MOTEUR
0116	4-104598	FLANGIA	FLANGE	FLANSCH	FLASQUE
0117	3-01750	CINGHIA	BELT	RIEMEN	COURROIE
0118	4-104599	PULEGGIA	PULLEY	RIEMENSCHIEBE	POULIE





9050	5-101504	MOZZO	PIN	ZAPPEN	PIVOT
0124	4-105349	PROTEZIONE	PROTECTION		
9051	5-103271	MOTORIDUT. CPL.	GEAR BOX		
0120	4-105403	MOTORIDUTTORE	GEAR BOX		
0102	4-101740	ANELLO	RING	RING	ANNEAU
0103	4-104590	DISCO	DISK	SCHEIBE	DISQUE
0104	4-104588	MOLLA	SPRING	FEDER	RESSORT
0105	4-104589	DISCO	DISK	SCHEIBE	DISQUE
0106	5-103017	GRUPPO	ASSEMBLY	GRUPPE	GROUPE
0108	4-104652	MOLLA	SPRING	FEDER	RESSORT
0109	4-104650	BOCCOLA	BUSHING	LAGER	DOUILLE
0110	5-102161	DISCO	DISK	SCHEIBE	DISQUE
0112	5-102760	PICK-UP	PICK-UP	PICK-UP	PICK-UP
0113	4-104596	MOZZO	HUB	NABE	MOYEU
0114	4-104594	FRENO	BRAKE	BREMSE	FREIN
0115	5-103007	MOTORE CC+PULEGG.	MOTOR	MOTOR	MOTEUR
0117	3-01750	CINGHIA	BELT	RIEMEN	COURROIE
0118	4-104599	PULEGGIA	PULLEY	RIEMENSCHIEBE	POULIE
0121	5-101537	SK.ENCODER REFLEX	ENCODER BOARD		
0122	4-105937	SPESSORE 0.3 MM	THICKNESS		
0123	4-105936	SPESSORE 1 MM	THICKNESS		
0125	4-105397	MANICOTTO	MUFF		





MT 3700 - MT 3400  
MT3700 ROT

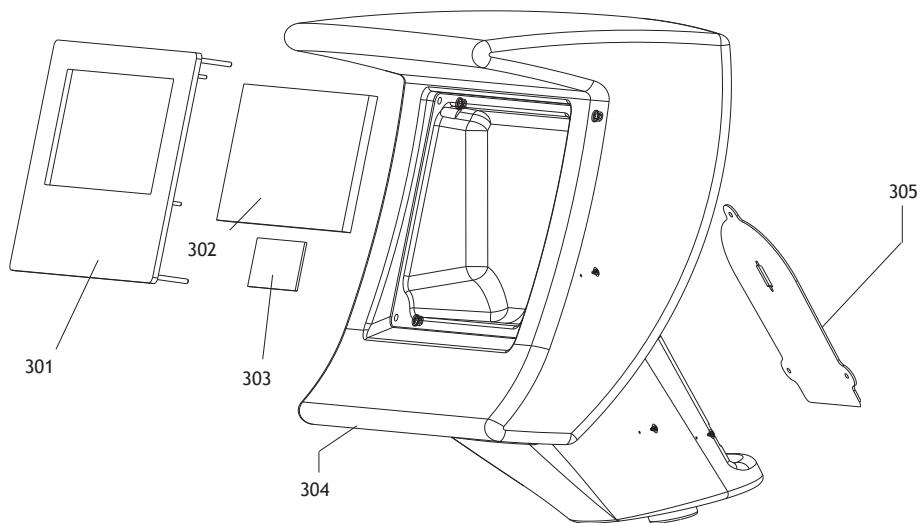
Tastatore

TAV. C - 09 / 10

9201	5-103260	TASTATORE	FEELER PIN
0202	5-100414	SCHEDA SENSORE	P.C. BOARD.
0203	4-104485	BOCCOLA	BUSHING
0204	4-104525	RULLO INFERIORE	ROLLER
0212	441728	GUARNIZIONE	SEAL
0226	412246	ANELLO ELASTICO	RING
0227	4-101269	COPERCHIO	LID
0228	2-03396	VITE M8	SCREW
0229	440874	MICRO	SWITCH
0230	4-109563	LAMIERA SUPP.MICRO	PLATE
0231	5-103502	RULLO SUPERIORE	ROLLER
0232	4-109564	LAMIERA CHIUS.ENCODER	PLATE
0234	5-103470	PULEGGIA	PULLEY
0235	5-103501	SCHEDA ENCODER	ENCODER BOARD
0236	4-109566	LAMIERA ATT.MOLLA	PLATE
0237	4-109567	SUPPORTO SCHEDA	BOARD SUPPORT

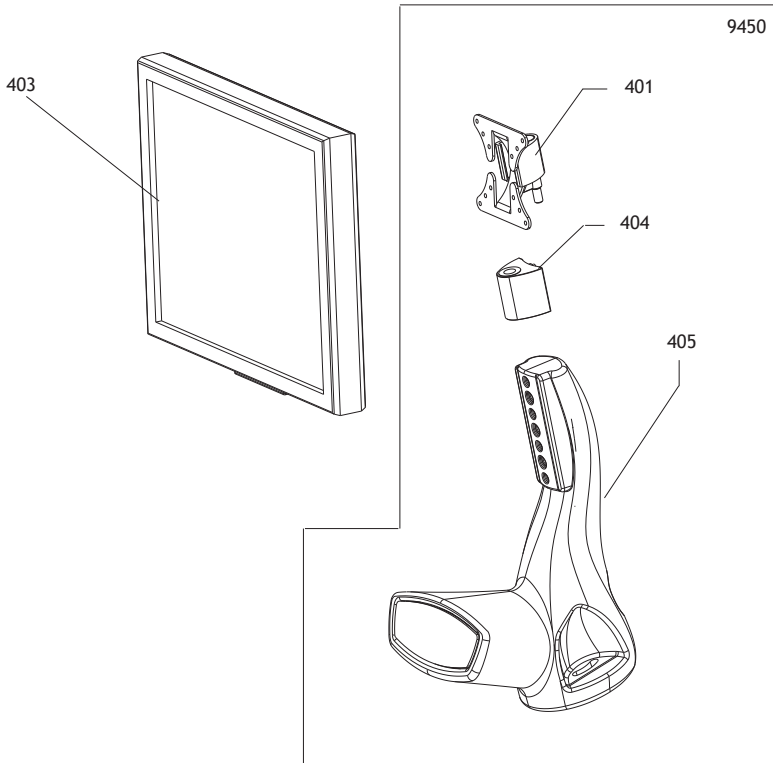
9202	5-101462	TERMINALE	TERMINAL
0216	4-101272	LAMIERA	METAL SHEET
0217	408835	MOLLA	SPRING
0218	449342	PULSANTE	BUTTON

0213	4-104473	LEVA	LEVER
0214	5-102232	TERMINALE no clip	TERMINAL
0215	450073	ANELLO	RING
0238	5-102200	ROTELLA	WHELL
0220	4-105886	DIST.TASTATORE	SPACE

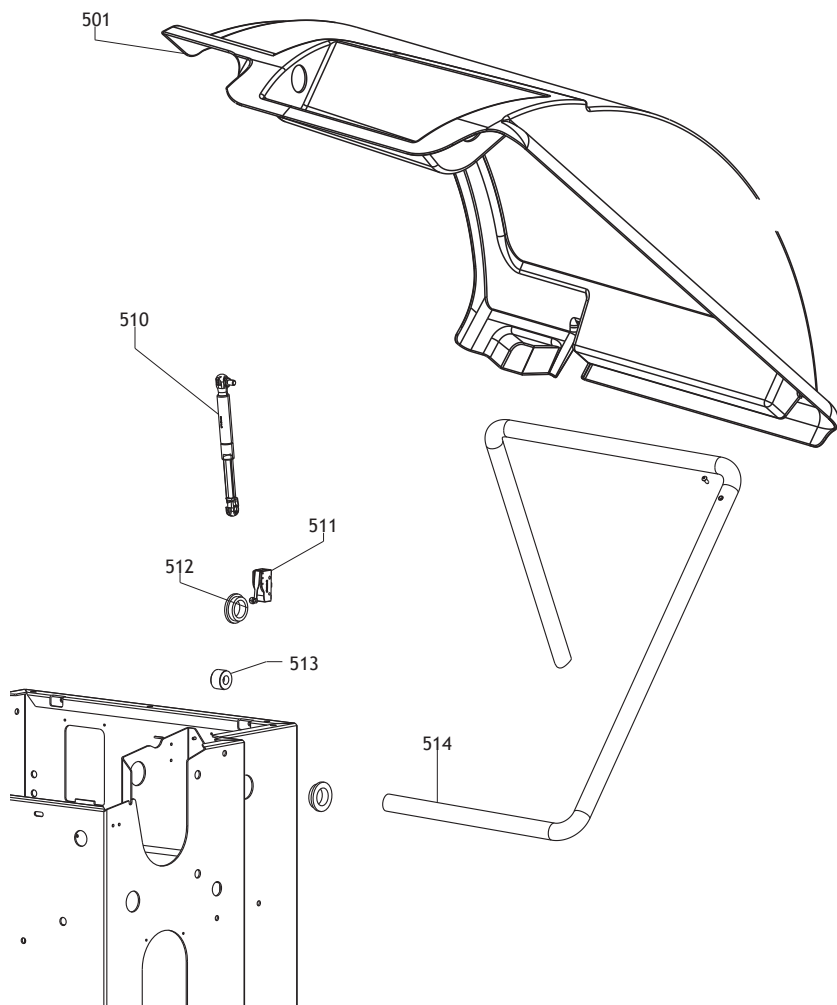


0301	5-103644	TASTIERA	KEYBOARD
0302	4-104694	SK.VISUALIZZAZ.	P.C. BOARD
0303	5-103504	SK.INTERF.LCD/TAST.	P.C. BOARD
0304	4-105307	TESTATA	SUPPORT
0305	4-105903	PANNELLO	PANNELL.





9450	5-102003	SUPPORTO MONITOR CPL	MONITOR SUPPORT
0401	4-105402	SUPPORTO	SUPPORT
0404	4-105400	BLOCCHETTO	BLOCK
0405	4-105906	SUPPORTO MONITOR	SUPPORT
0403	4-103594	MONITOR 17"	MONITOR 17"
0403	3-01952	MONITOR 19"	MONITOR 19"





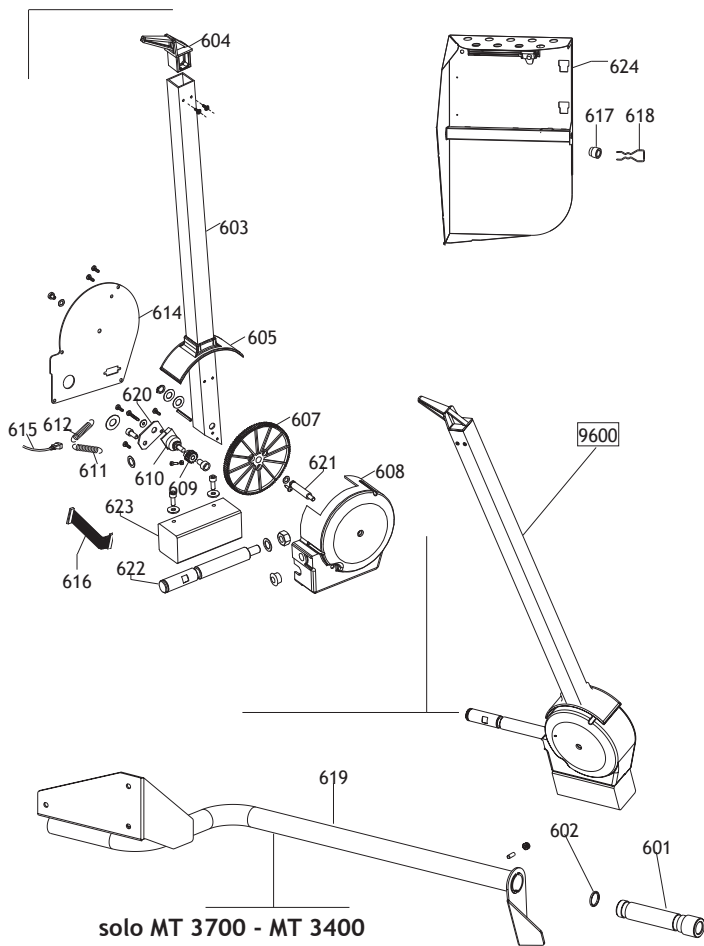
MT 3700 - MT 3400  
MT3700 ROT

Protezione

TAV. F - 06 /09

0501	4-105459	PROTEZIONE	SHIELD
0510	4-109117	MOLLA GAS	SPRING
0511	4-109005	MICRO	MICRO
0512	433637	BOCCOLA	BUSHING
0513	383372	FERMO SCORR.	PLATE
0514	5-102922	TUBO	SUPPORT

**solo MT3700 ROT  
only MT3700 ROT**



**solo MT 3700 - MT 3400  
only MT 3700 - MT 3400**

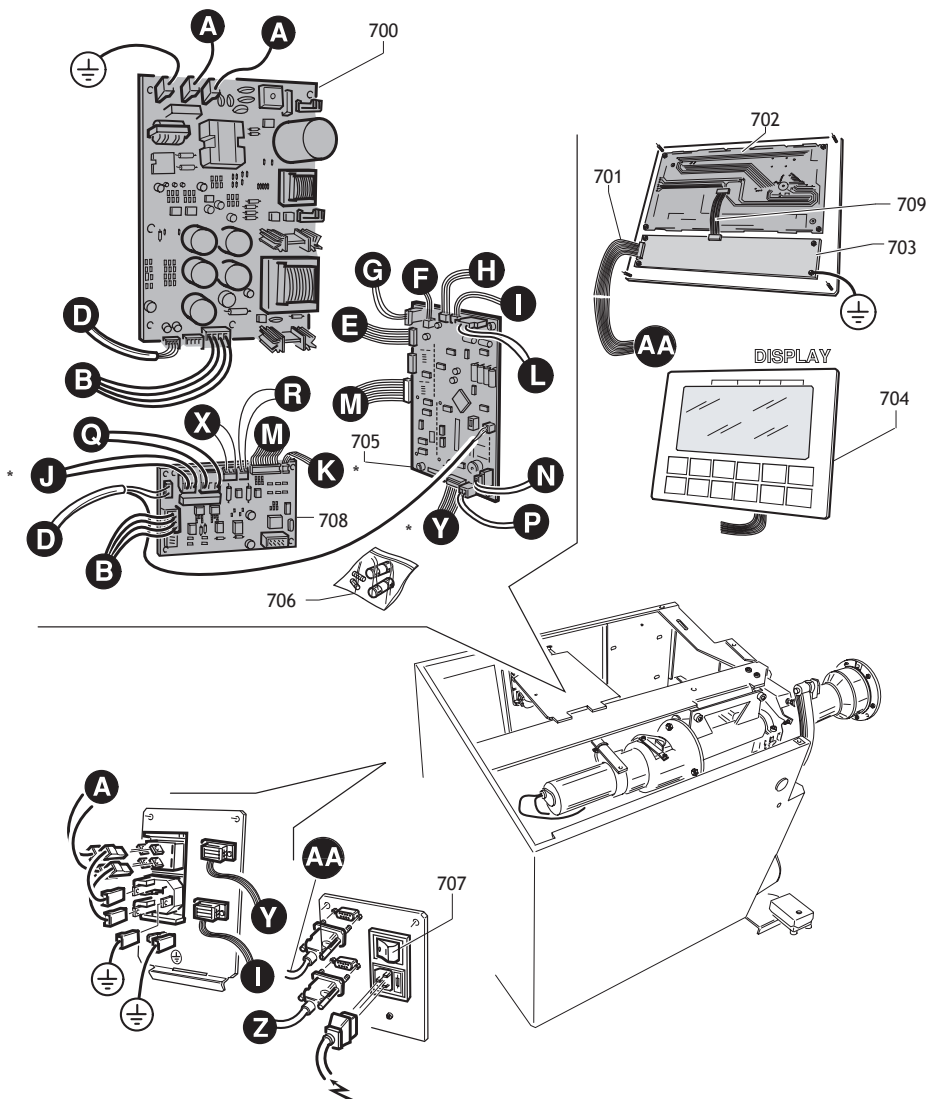


MT 3700 - MT 3400  
MT3700 ROT

Rilevatore esterno TAV. G - 09 /10

0601	4-104994	BOCCOLA	BUSHING
0602	421590	GUARNIZIONE	SEAL
0617	460109	BOCCOLA	BUSHING
0618	4-103061	MOLLA A GANCI	SPRING
0619	4-104813	SUPPORTO TASTATORE	SUPPORT

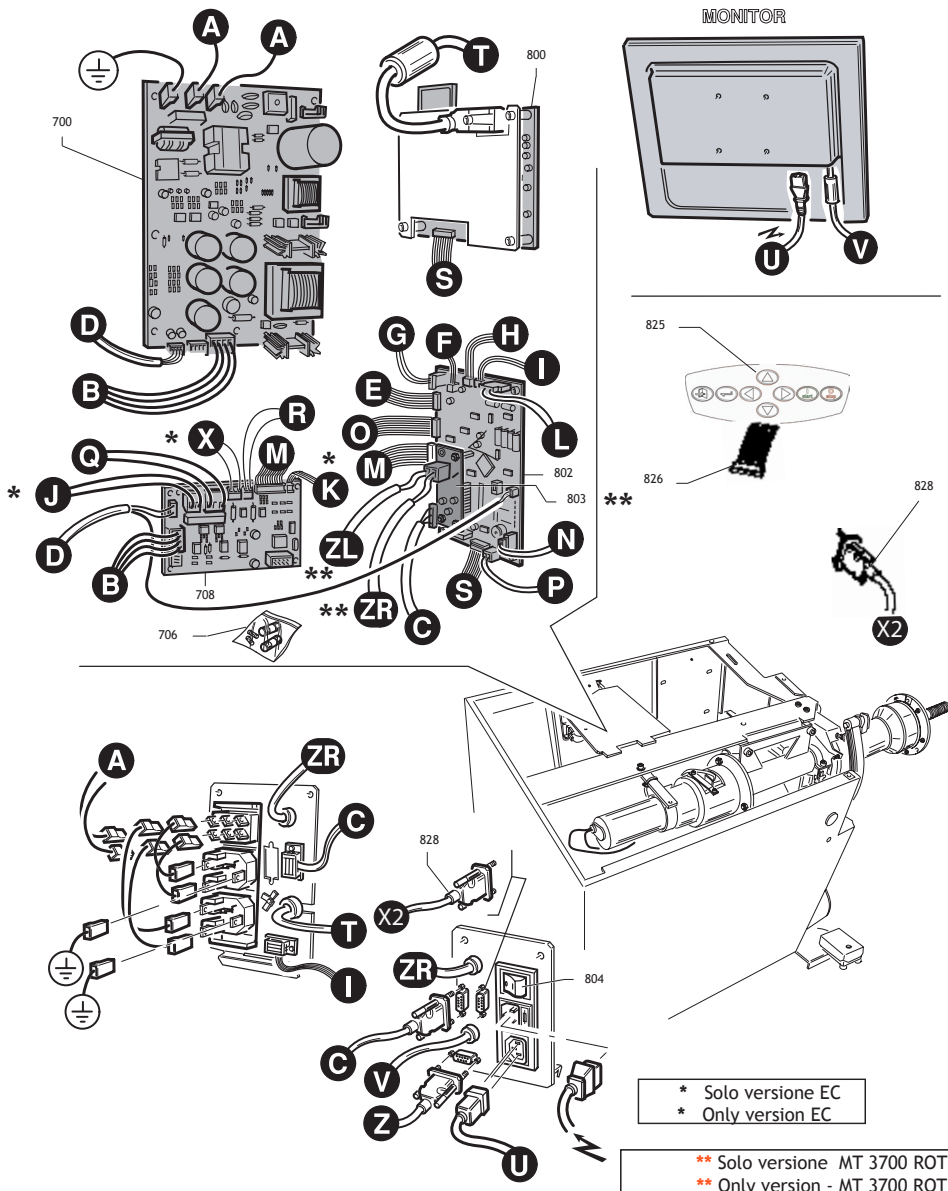
9600	257670	RILEVATORE	SIGNAL TRACER	AUFNEHMER	MESUREUR
0603	353559	BRACCIO	ARM	ARM	BRAS
0604	453572	TASTATORE	FEELER PIN	FUEHLER	PALPEUR
0605	454458	PROTEZIONE	SHIELD	ABDECKUNG	PROTECTION
0607	453579	INGRANAGGIO	GEAR	ZAHNRADGETRIEBE	ENGRENAGE
0608	454457	CORPO	BODY	KOERPER	CORPS
0609	449326	PIGNONE	PINION	RITZEL	PIGNON
0610	5-101455	POTENZIOMETRO	POTENTIOMETER	POTENTIOMETER	POTENTIOMETRE
0611	455120	MOLLA	SPRING	FEDER	RESSORT
0612	454239	MOLLA	SPRING	FEDER	RESSORT
0614	4-106072	COPERCHIO	LID	DECKEL	COUVERCLE
0615	4-106012	conn.a vaschetta l.2000		cabla l.2000	
0616	4-106036	cavo flat l.100	flat cable l.100	kabel	cable
0620	353573	LAMIERA POTENZIOMETRO			PROTECTION
0621	353574	PERNO FULCRO BRACCIO			PIN
0622	353575	PERNO ROTAZIONE			PIN
0623	353577	CONTRAPPESO			POIND
0624	4-109125	SUPPORTO BOCCOLE			SUPPORT



\* Solo versione EC  
\* Only version EC

0700	5-102761	SCH. ALIMENTAZIONE	P.C. BOARD
0701	4-106053	FLAT 12VIE L.300	CABLE
0702	4-104694	SCHEDA VISUALIZZAZIONE	P.C.BOARD
0703	5-103504	SCHEDA INTERFACCIA	P.C. BOARD
0704	5-103644	PANNELLO VISORE	PANNELL
0705	5-103641	SCHEDA CPU	P.C. BOARD
0706	5-102043	SACCH.3 FUSIBILI 8AT	FUSES
0707	3-01940	INTERRUTTORE	SWITCH
0708	5-102685	SCHEDA CONTROLLO MOTORI (MCM)	P.C.BOARD
0709	4-104698	CAVO FLAT 10VIE L.70	FLAT
AA	4-106011	CAVO FLAT 12VIE/CONN.VASCHETTA	FLAT
B	4-105030	CAVO COLL.SCHEDA MCM/ALIM.	CABLE
D	4-111346	CAVO ALIMENT.SCHEDA MCM/CPU	CABLE
E	454754	CAVO FLAT 8 VIE L.850	CABLE
F	4-105572	CAVO FLAT 8 VIE L.800	CABLE
G	4-109503	CAVO DOPPIO COLL.MICRO	CABLE
H	4-105571	FLAT 4VIE L.800	CABLE
I	455181	CAVO FLAT 3 POLI	CABLE
L	5-102760	PICK-UP	PICK-UP
M	4-109502	FLAT 18VIE L.250	FLAT
N	4-109501	CAVO 2POLI L.700	CABLE
P	4-105978	CAVO 2 POLI L.2000	CABLE
Q	5-103007	MOTORE+PULEGGIA	MOTOR+PULLEY
R	4-104594	FRENO	BRAKE
*K	4-102558	FLAT 4 VIE L.800	FLAT
*J	4-105403	MOTORIDUTTORE	REARBOX
*X	4-105133	FRIZIONE	CLUTCH
Y	4-105869	FLAT 12VIE L.800	FLAT
Z	4-106012	CAVO PROLUNGA VASCHETTA L.2000	CABLE

* Solo versione EC * Only version EC
---





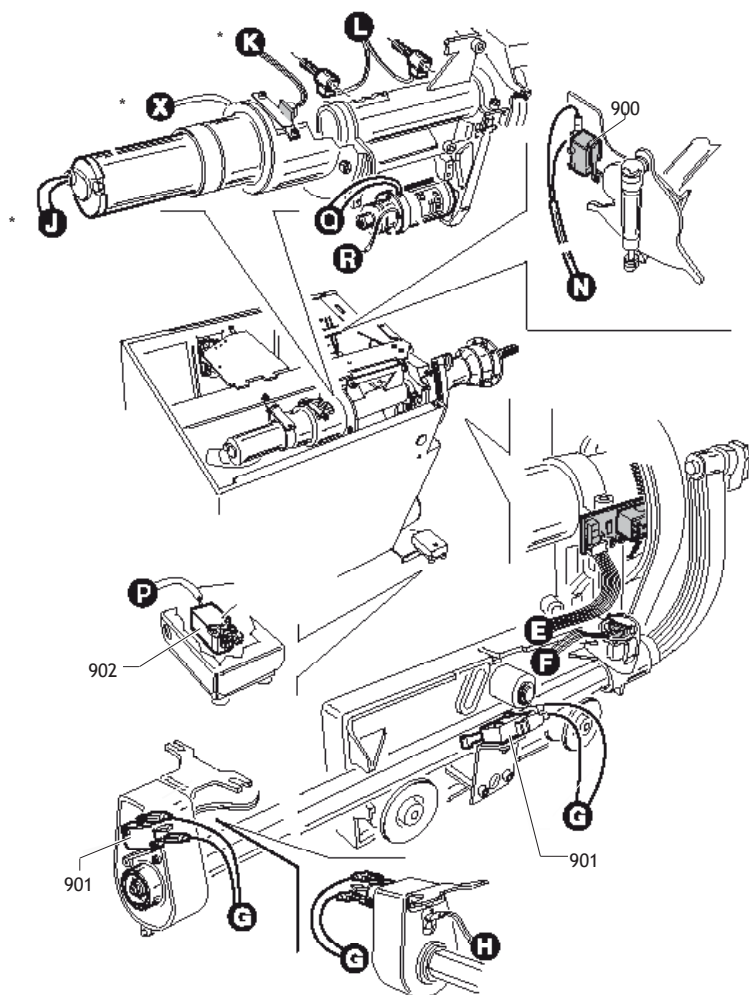
0700	5-102761	SCH. ALIMENTAZIONE	P.C. BOARD
0706	5-102043	SACCH.3 FUSIBILI 8AT	FUSES
0708	5-102685	SK CONTROLLO MOTORI (MCM)	P.C. BOARD
0800	5-103507	SCHEDA GRAFICA	P.C.BOARD
0802	5-103642	SCHEDA CPU	P.C.BOARD
**0803	4-103804	SCHEDA SONAR	P.C.PBOARD
0804	3-01941	INTERRUTTORE	SWITCH
0825	4-105879	TASTIERA	KEYBOARD
0826	4-106035	CAVO TASTIERA	CABLE
0828	4-106052	CAVO PROLUNGA	CABLE
B	4-105030	CAVO COLL.SK MCM/ALIM.	CABLE
C	4-105374	CAVO COLL.STAMPANTE	CABLE
D	4-111346	CAVO ALIM.SK MCM/CPU	CABLE
E	454754	CAVO FLAT 8 VIE L.850	CABLE
F	4-105572	CAVO FLAT 8 VIE L.800	CABLE
G	4-109503	CAVO DOPPIO COLL.MICRO	CABLE
H	4-105571	FLAT 4VIE L.800	CABLE
I	455181	CAVO FLAT 3 POLI	CABLE
L	5-102760	PICK-UP	PICK-UP
M	4-109502	FLAT 18VIE L.250	FLAT
N	4-109501	CAVO 2POLI L.700	CABLE
O	4-106035	CAVO FLAT 16VIE L.300	CABLE
P	4-105978	CAVO 2 POLI L.2000	CABLE
Q	5-103007	MOTORE+PULEGGIA	MOTOR+PULLEY
R	4-104594	FRENO	BRAKE
S	4-109500	FLAT 12VIE L.250	FLAT
T	4-106133	CAVO PROLUNGA VASCHETTAL.1800	CABLE
V	4-106133	CAVO PROLUNGA VASCHETTAL.1800	CABLE
**ZL - ZR	5-102227	CAVO SONAR	CABLE
*K	4-102558	FLAT 4 VIE L.800	FLAT
*J	4-105403	MOTORIDUTTORE	REARBOX
*X	4-105133	FRIZIONE	CLUTCH
U	3-01942	CAVO COLL.MONITOR	CABLE
Z	4-106012	CAVO PROLUNGA VASCHETTA L.2000	CABLE

\* Solo versione EC

\* Only version EC

\*\* Solo versione MT 3700 ROT

\*\* Only version MT 3700 ROT



\* Solo versione EC  
\* Only version EC

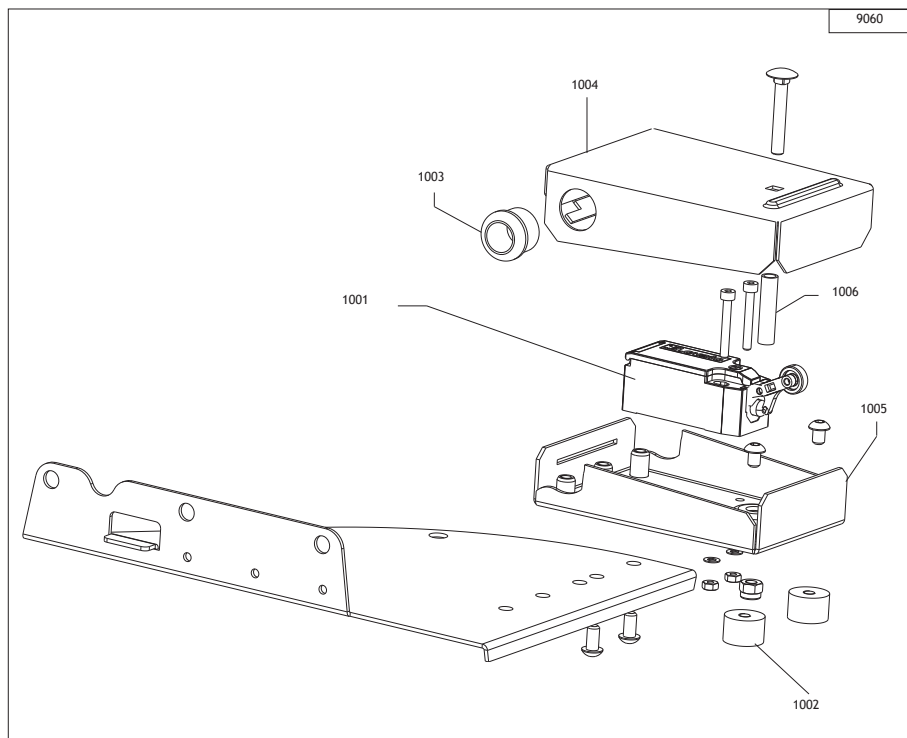


MT 3700 - MT 3400  
MT3700 ROT

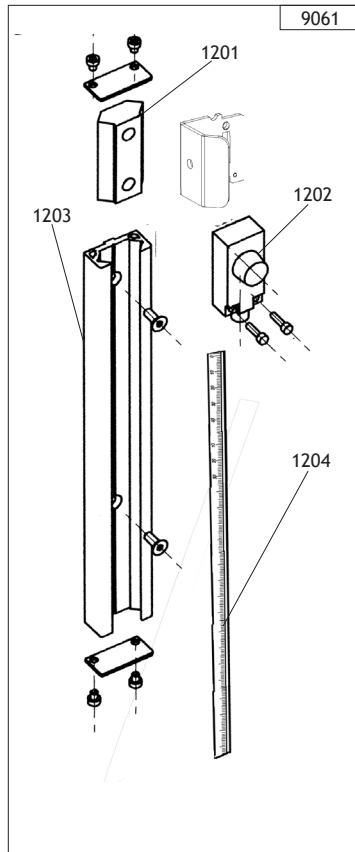
Impianto elettrico TAV. L - 09 /10

0900	4-109005	MICRO	SWITCH
0901	440874	MICRO	SWITCH
0902	4-105962	MICRO	SWITCH
E	454754	CAVO FLAT 8 VIE L.850	CABLE
F	4-105572	CAVO FLAT 8 VIE L.800	CABLE
G	4-109503	CAVO DOPPIO COLL.MICRO	CABLE
H	4-105571	FLAT 4VIE L.800	CABLE
L	5-102760	PICK-UP	PICK-UP
N	4-109501	CAVO 2POLI L.700	CABLE
P	4-105978	CAVO 2 POLI L.2000	CABLE
Q	5-103007	MOTORE+PULEGGIA	MOTOR+PULLEY
R	4-104594	FRENO	BRAKE
*K	4-102558	FLAT 4 VIE L.800	FLAT
*J	4-105403	MOTORIDUTTORE	REARBOX
*X	4-105133	FRIZIONE	CLUTCH

\* Solo versione EC  
\* Only version EC

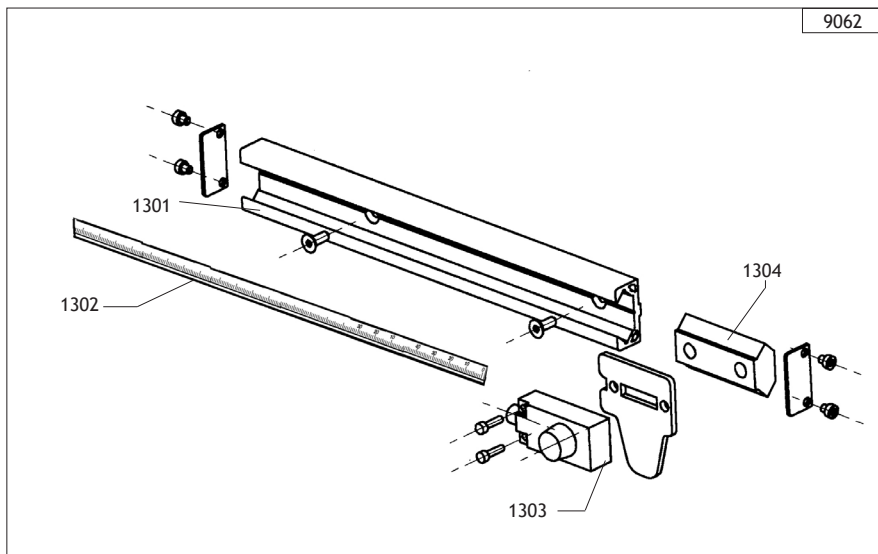


9060	5-102030	PEDALE COMPLETO	PEDAL
1001	4-105962	MICROINTERRUT.	SWITCH
1002	441675	ANTIVIBRAZIONI	VIBRATION DAMPER
1003	461234	PRESSACAVO	PLUG
1004	4-105961	LAMIERA SUP.	COVER
1005	4-105960	LAMIERA INF.	COVER
1006	4-105974	TUBO	TUBE



9061	5-102152	GRUP. RILEVATORE	SIGNAL TR. ASS.		
1201	4-104055	PATTINO	PAD	GLEITSTCHUH	PATIN
1202	4-104053	SENSORE	SENSOR	SONDE	CAPTEUR
1203	4-106301	TRAFILATO	DRAWN	GEZOGEN	TREFILE
1204	4-106942	ADESIVO	DECAL	KLEBER	ADHESIF

9062



9062	5-102312	GRUP. RILEVATORE	SIGNAL TR. ASS.		
1301	4-103631	TRAFILATO	DRAWN	GEZOGEN	TREFILE
1302	4-104860	ADESIVO	DECAL	KLEBER	ADHESIF
1303	4-104053	SENSORE	SENSOR	SONDE	CAPTEUR
1304	4-104055	PATTINO	PAD	GLEITSTCHUH	PATIN

A large rectangular frame containing 20 horizontal dotted lines, providing a space for writing or drawing.



**MONDOLFO FERRO S.p.a.**  
Viale dell'industria, 20 - 61037 MONDOLFO (PU) Italy  
[info@mondolfoferro.it](mailto:info@mondolfoferro.it)  
[www.mondolfoferro.it](http://www.mondolfoferro.it)