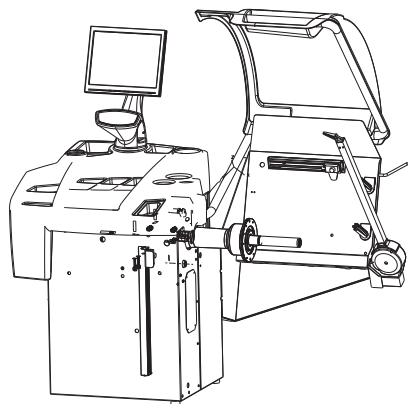
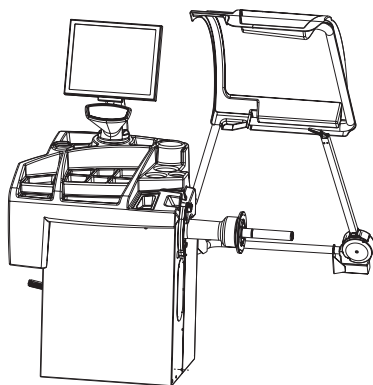
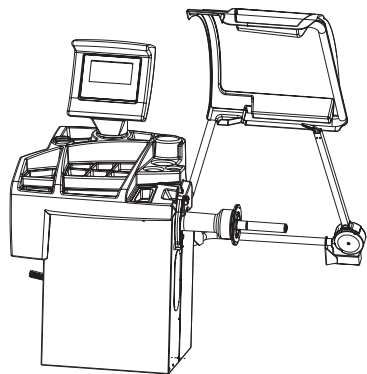




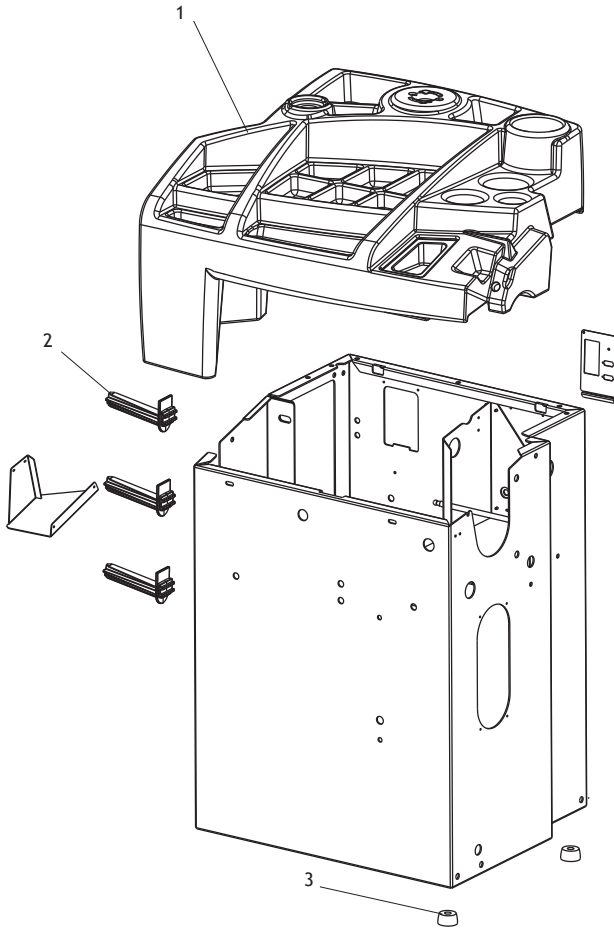
Lista Componenti
List of components
Ersatzteilliste
Lista de lo Componentes



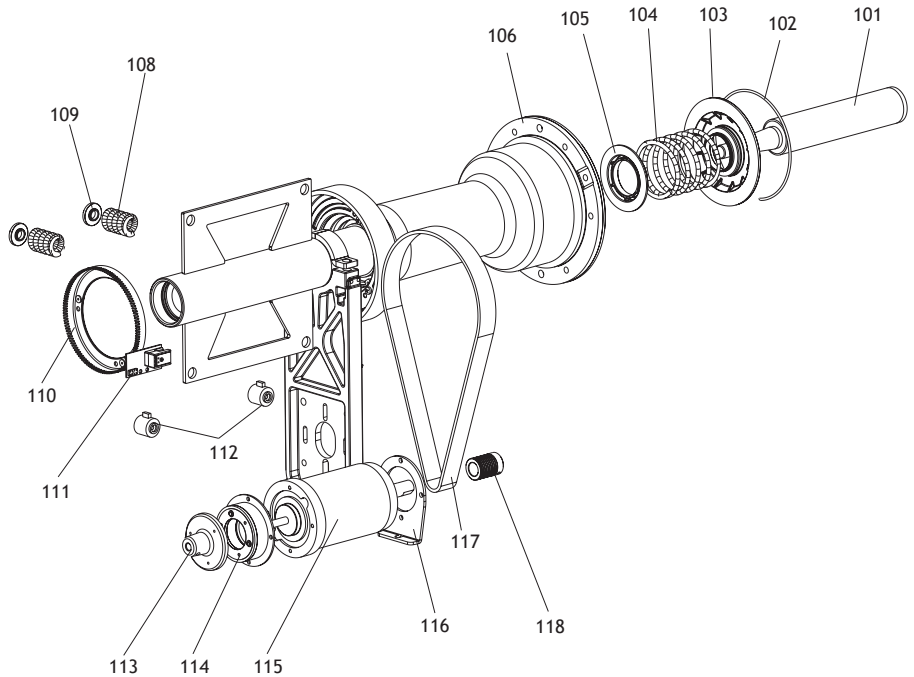
MT 3700 ROT - MT 3700 RO

MT 3700 - MT 3400

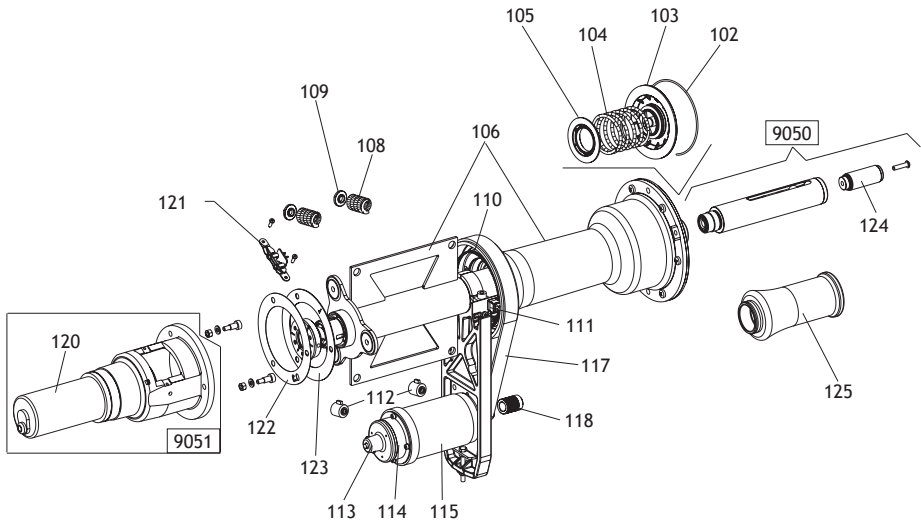
Production 06/2009 - Code 4-105891C



| | | | | | |
|------|----------|-----------------|---------|--------|-----------|
| 0001 | 4-105305 | PIANO PORTAPESI | LID | DECKEL | COUVERCLE |
| 0002 | 438319 | SUPPOTO | SUPPORT | LAGER | SUPPORT |
| 0003 | 460029 | PIEDE | FOOT | FUSS | PIED |

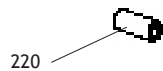
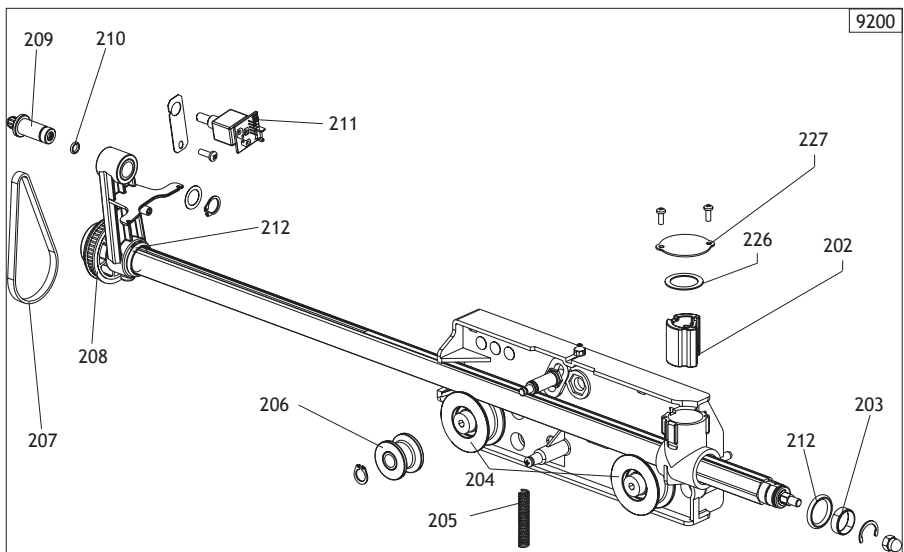
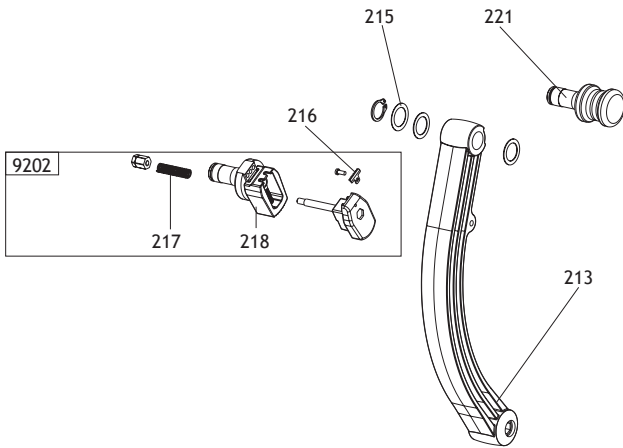


| | | | | | |
|------|----------|-------------------|----------|---------------|----------|
| 0101 | 5-100436 | MOZZO | HUB | NABE | MOYEU |
| 0102 | 4-101740 | ANELLO | RING | RING | ANNEAU |
| 0103 | 4-104590 | DISCO | DISK | SCHEIBE | DISQUE |
| 0104 | 4-104588 | MOLLA | SPRING | FEDER | RESSORT |
| 0105 | 4-104589 | DISCO | DISK | SCHEIBE | DISQUE |
| 0106 | 5-103258 | GRUPPO | ASSEMBLY | GRUPPE | GROUPE |
| 0108 | 4-104652 | MOLLA | SPRING | FEDER | RESSORT |
| 0109 | 4-104650 | BOCCOLA | BUSHING | LAGER | DOUILLE |
| 0110 | 5-102161 | DISCO | DISK | SCHEIBE | DISQUE |
| 0111 | 5-101447 | SK.ENCODER | ENCODER | CODIERER | ENCODER |
| 0112 | 5-102760 | PICK-UP | PICK-UP | PICK-UP | PICK-UP |
| 0113 | 4-104596 | MOZZO | HUB | NABE | MOYEU |
| 0114 | 4-104594 | FRENO | BRAKE | BREMSE | FREIN |
| 0115 | 5-103007 | MOTORE CC+PULEGG. | MOTOR | MOTOR | MOTEUR |
| 0116 | 4-104598 | FLANGIA | FLANGE | FLANSCH | FLASQUE |
| 0117 | 3-01750 | CINGHIA | BELT | RIEMEN | COURROIE |
| 0118 | 4-104599 | PULEGGIA | PULLEY | RIEMENSCHIEBE | POULIE |





| | | | | | |
|------|----------|-------------------|---------------|----------------|----------|
| 9050 | 5-101504 | MOZZO | PIN | ZAPPEN | PIVOT |
| 0124 | 4-105349 | PROTEZIONE | PROTECTION | | |
| 9051 | 5-103271 | MOTORIDUT.CPL. | GEAR BOX | | |
| 0120 | 4-105403 | MOTORIDUTTORE | GEAR BOX | | |
| 0102 | 4-101740 | ANELLO | RING | RING | ANNEAU |
| 0103 | 4-104590 | DISCO | DISK | SCHEIBE | DISQUE |
| 0104 | 4-104588 | MOLLA | SPRING | FEDER | RESSORT |
| 0105 | 4-104589 | DISCO | DISK | SCHEIBE | DISQUE |
| 0106 | 5-103017 | GRUPPO | ASSEMBLY | GRUPPE | GROUPE |
| 0108 | 4-104652 | MOLLA | SPRING | FEDER | RESSORT |
| 0109 | 4-104650 | BOCCOLA | BUSHING | LAGER | DOUILLE |
| 0110 | 5-102161 | DISCO | DISK | SCHEIBE | DISQUE |
| 0112 | 5-102760 | PICK-UP | PICK-UP | PICK-UP | PICK-UP |
| 0113 | 4-104596 | MOZZO | HUB | NABE | MOYEU |
| 0114 | 4-104594 | FRENO | BRAKE | BREMSE | FREIN |
| 0115 | 5-103007 | MOTORE CC+PULEGG. | MOTOR | MOTOR | MOTEUR |
| 0117 | 3-01750 | CINGHIA | BELT | RIEMEN | COURROIE |
| 0118 | 4-104599 | PULEGGIA | PULLEY | RIEMENSCHLEIBE | POULIE |
| 0121 | 5-101537 | SK.ENCODER REFLEX | ENCODER BOARD | | |
| 0122 | 4-105937 | SPESSORE 0.3 MM | THICKNESS | | |
| 0123 | 4-105936 | SPESSORE 1 MM | THICKNESS | | |
| 0125 | 4-105397 | MANICOTTO | MUFF | | |

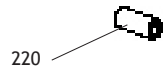
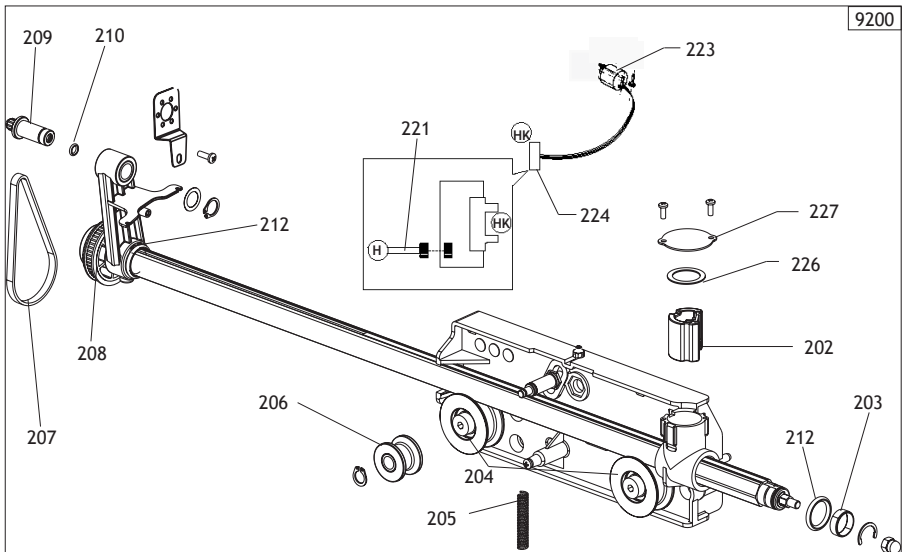
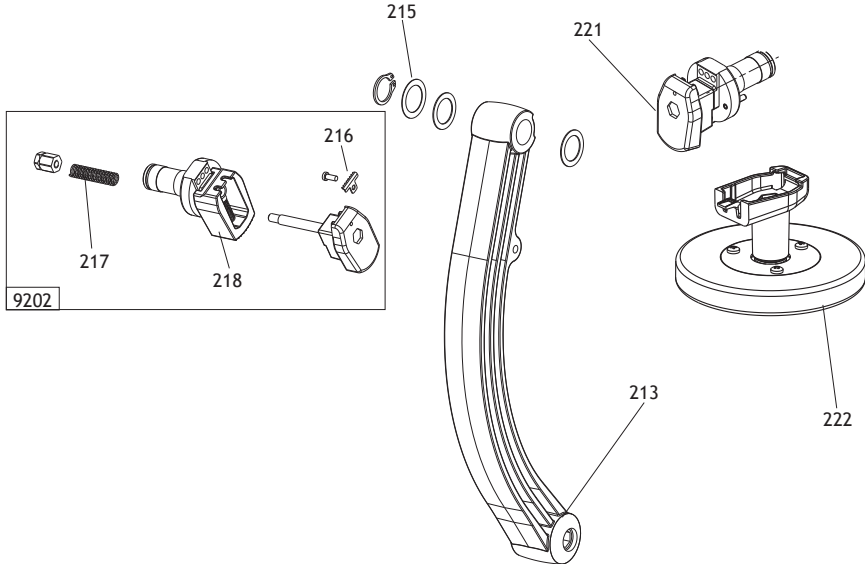




| | | | | | |
|------|----------|-----------------|------------|-----------------|---------------|
| 9200 | 5-101439 | TASTATORE | FEELER PIN | FUEHLER | PALPEUR |
| 0202 | 5-100414 | SCHEDA SENSORE | P.C. BOARD | ELEKTR. PLATINE | FICHE ELECTR. |
| 0203 | 4-104485 | BOCCOLA | BUSHING | LAGER | DOUILLE |
| 0204 | 4-104525 | RULLO INFERIORE | ROLLER | WALZE | ROULEAU |
| 0205 | 4-104522 | MOLLA | SPRING | FEDER | RESSORT |
| 0206 | 4-104524 | RULLO SUPERIORE | ROLLER | WALZE | ROULEAU |
| 0207 | 3-01827 | CINGHIA | BELT | RIEMEN | COURROIE |
| 0208 | 4-104486 | PULEGGIA | PULLEY | RIEMENSCHIBE | POULIE |
| 0209 | 4-104490 | PULEGGIA | PULLEY | RIEMENSCHIBE | POULIE |
| 0210 | 428374 | GUARNIZIONE | SEAL | DICHTUNG | JOINT |
| 0211 | 4-105330 | ENCODER | ENCODER | CODIERER | ENCODER |
| 0212 | 441728 | GUARNIZIONE | SEAL | DICHTUNG | JOINT |
| 0226 | 412246 | ANELLO ELASTICO | RING | | |
| 0227 | 4-101269 | COPERCHIO | LID | DECKEL | COUVERCLE |

| | | | | | |
|------|----------|-----------|-------------|---------------|---------|
| 9202 | 5-101462 | TERMINALE | TERMINAL | ENDVERSCHLUSS | COSSE |
| 0216 | 4-101272 | LAMIERA | METAL SHEET | BLECH | TOLE |
| 0217 | 408835 | MOLLA | SPRING | FEDER | RESSORT |
| 0218 | 449342 | PULSANTE | BUTTON | DRUCKKNOPF | BOUTON |

| | | | | | |
|------|----------|-------------------|----------|---------------|--------|
| 0213 | 4-104473 | LEVA | LEVER | HEBEL | LEVIER |
| 0215 | 450073 | ANELLO | RING | RING | ANNEAU |
| 0220 | 4-105886 | DIST.TASTATORE | SPACE | | |
| 0221 | 5-102232 | TERMINALE no clip | TERMINAL | ENDVERSCHLUSS | COSSE |

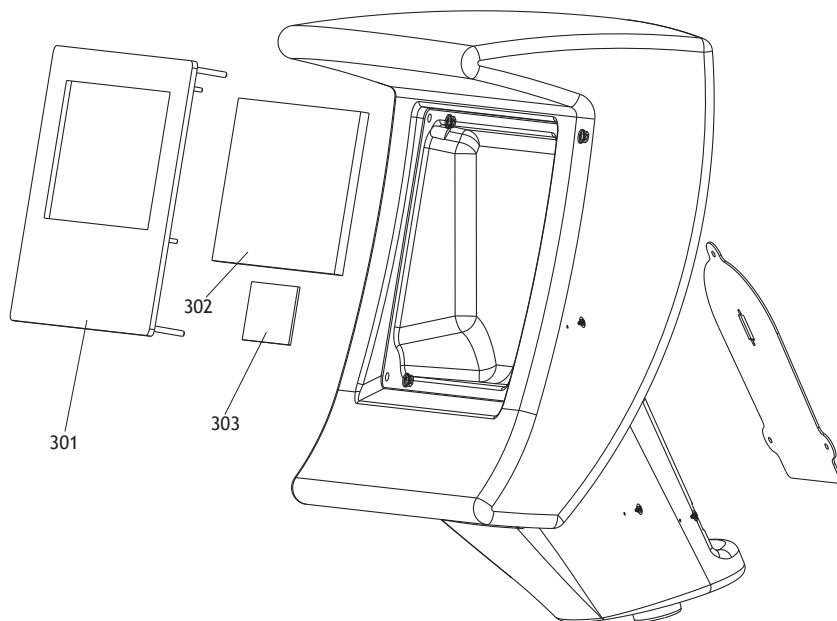




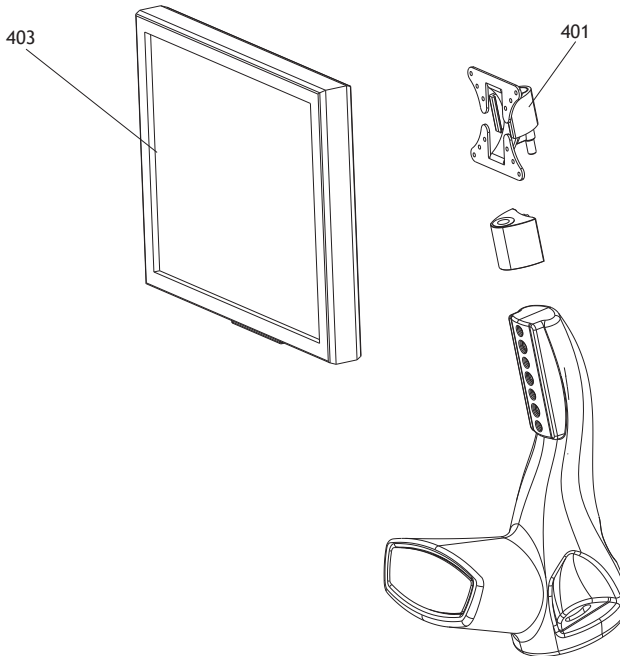
| | | | | | |
|------|----------|-----------------|------------|-----------------|---------------|
| 9200 | 5-102224 | TASTATORE | FEELER PIN | FUEHLER | PALPEUR |
| 0202 | 5-100414 | SCHEDA SENSORE | P.C. BOARD | ELEKTR. PLATINE | FICHE ELECTR. |
| 0203 | 4-104485 | BOCCOLA | BUSHING | LAGER | DOUILLE |
| 0204 | 4-104525 | RULLO INFERIORE | ROLLER | WALZE | ROULEAU |
| 0205 | 4-104522 | MOLLA | SPRING | FEDER | RESSORT |
| 0206 | 4-104524 | RULLO SUPERIORE | ROLLER | WALZE | ROULEAU |
| 0207 | 3-01827 | CINGHIA | BELT | RIEMEN | COURROIE |
| 0208 | 4-104486 | PULEGGIA | PULLEY | RIEMENSCHIBE | POULIE |
| 0209 | 4-104490 | PULEGGIA | PULLEY | RIEMENSCHIBE | POULIE |
| 0210 | 428374 | GUARNIZIONE | SEAL | DICHTUNG | JOINT |
| 0212 | 441728 | GUARNIZIONE | SEAL | DICHTUNG | JOINT |
| 0221 | 4-105571 | CAVO FLAT | FLAT | KABLE | CABLE |
| 0223 | 4-107206 | ENCODER+CAVO | ENCODER | CODIERER | ENCODER |
| 0224 | 4-104932 | SCHEDA MB2SCN | P.C. BOARD | ELEKTR. PLATINE | FICHE ELECTR. |
| 0226 | 412246 | ANELLO ELASTICO | RING | | |
| 0227 | 4-101269 | COPERCHIO | LID | DECKEL | COUVERCLE |

| | | | | | |
|------|----------|-----------|-------------|---------------|---------|
| 9202 | 5-101462 | TERMINALE | TERMINAL | ENDVERSCHLUSS | COSSE |
| 0216 | 4-101272 | LAMIERA | METAL SHEET | BLECH | TOLE |
| 0217 | 408835 | MOLLA | SPRING | FEDER | RESSORT |
| 0218 | 449342 | PULSANTE | BUTTON | DRUCKKNOPF | BOUTON |

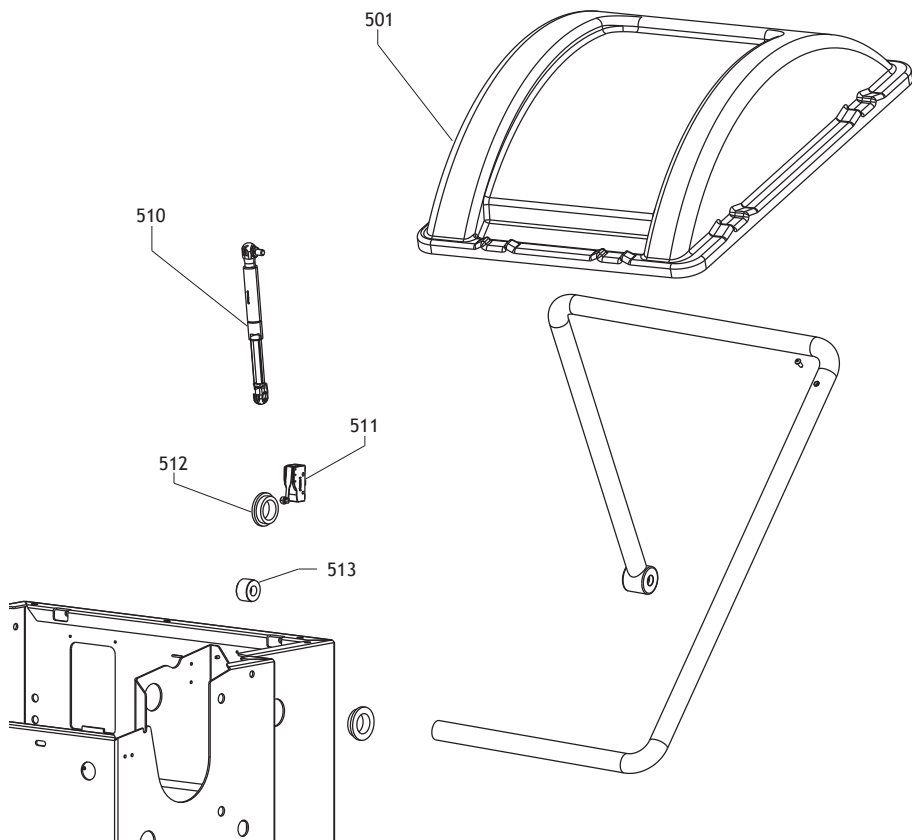
| | | | | | |
|------|----------|-------------------|----------|---------------|---------|
| 0213 | 4-104473 | LEVA | LEVER | HEBEL | LEVIER |
| 0215 | 450073 | ANELLO | RING | RING | ANNEAU |
| 0220 | 4-105886 | DIST.TASTATORE | SPACE | | |
| 0221 | 5-102232 | TERMINALE no clip | TERMINAL | ENDVERSCHLUSS | COSSE |
| 0222 | 5-102200 | ROTELLA | WHEEL | RAEDCHEN | ROULETT |



| | | | | | |
|------|----------|---------------------|------------|-----------------|---------------|
| 0301 | 5-102755 | TASTIERA | KEYBOARD | TASTATUR | CLAVIER |
| 0302 | 5-102754 | SK.VISUALIZZAZIONE | P.C. BOARD | ELEKTR. PLATINE | FICHE ELECTR. |
| 0303 | 5-102752 | SK.INTERF.LCD/TAST. | P.C. BOARD | ELEKTR. PLATINE | FICHE ELECTR. |



| | | | | | |
|------|----------|-------------|-------------|-------------|--------------|
| 0401 | 4-105402 | SUPPORTO | SUPPORT | | |
| 0403 | 4-103594 | MONITOR 17" | MONITOR 17" | MONITOR 17" | MONITEUR 17" |
| 0403 | 3-01952 | MONITOR 19" | MONITOR 19" | MONITOR 19" | MONITEUR 19" |



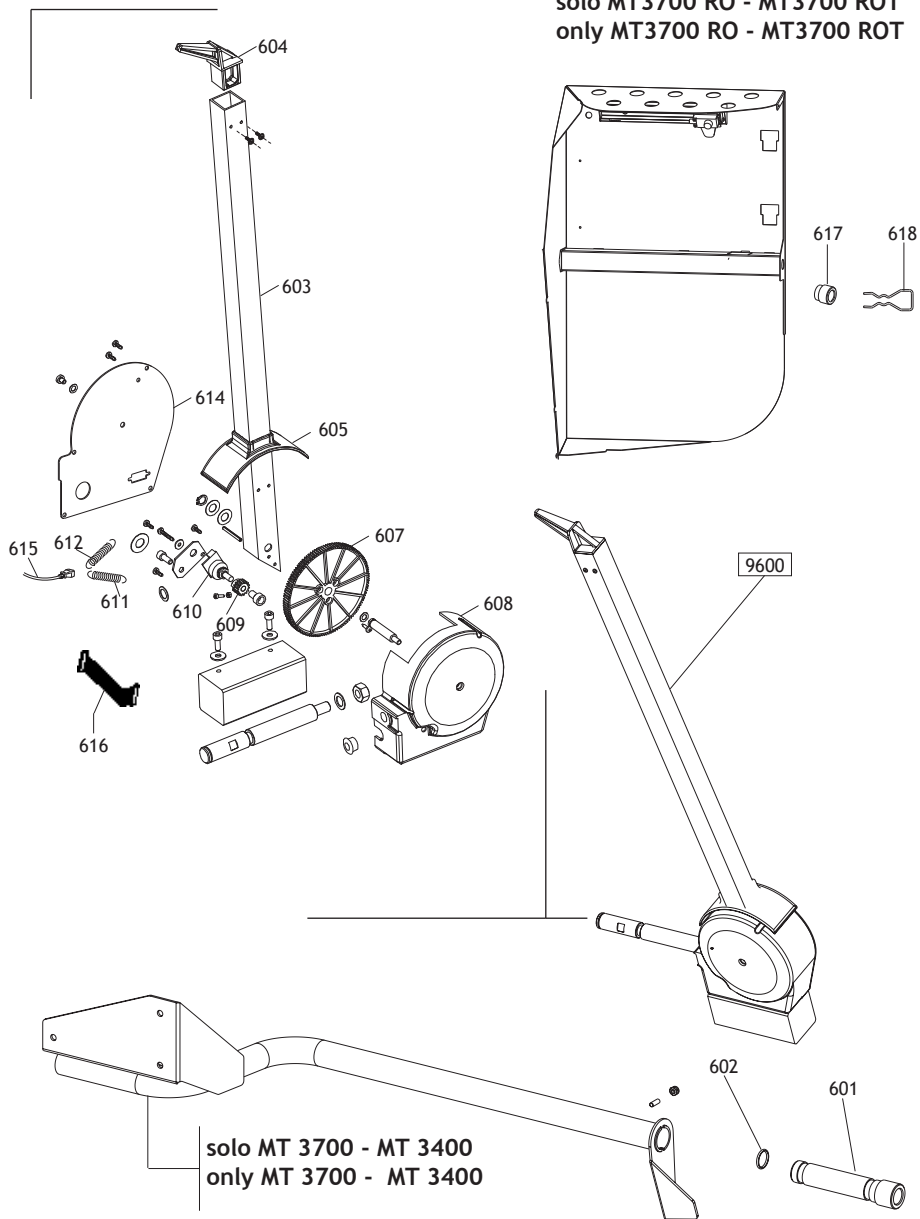


MT 3700 - MT 3400
MT 3700 RO - MT3700 ROT Protezione

TAV. F - 06 /09

| | | | | | |
|------|----------|------------------|---------|-----------|------------|
| 0501 | 4-105459 | PROTEZIONE | SHIELD | ABDECKUNG | PROTECTION |
| 0510 | 4-109117 | MOLLA GAS | SPRING | | |
| 0511 | 4-109005 | MICRO | MICRO | | |
| 0512 | 433637 | BOCCOLA | BUSHING | | |
| 0513 | 383372 | FERMO SCORREVOLE | PLATE | | |

solo MT3700 RO - MT3700 ROT
only MT3700 RO - MT3700 ROT



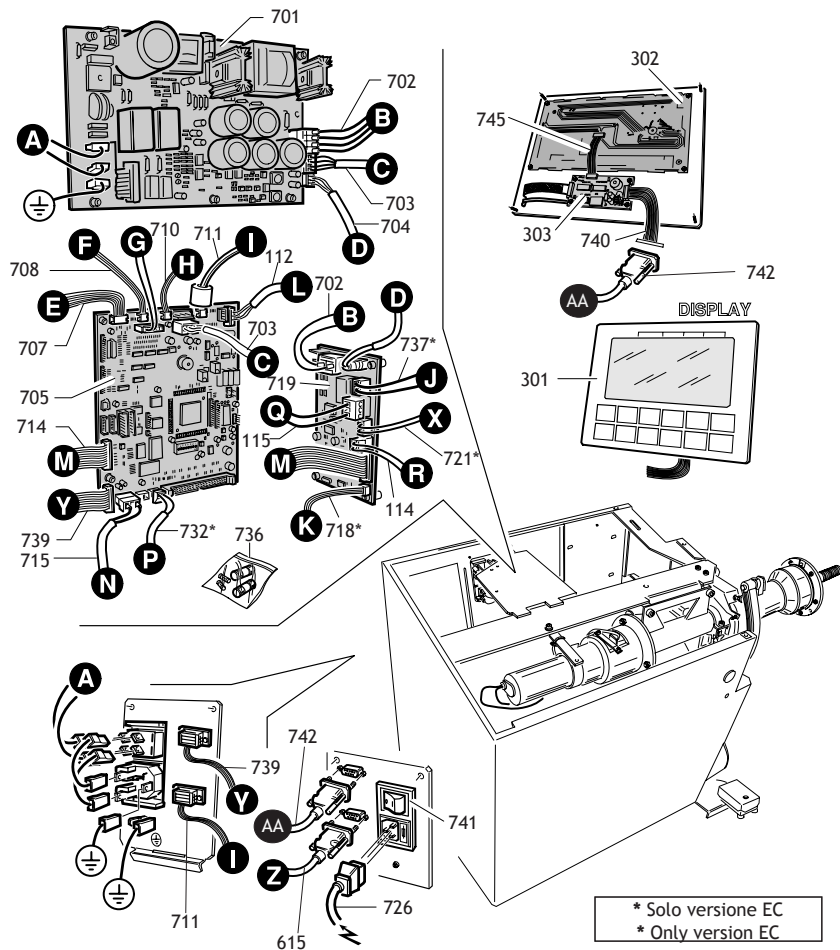


MT 3700 - MT 3400
MT 3700 RO - MT3700 ROT

Rilevatore esterno TAV. G - 12A /07

| | | | | | |
|------|----------|---------------|---------|----------|---------|
| 0601 | 4-104994 | BOCCOLA | BUSHING | LAGER | DOUILLE |
| 0602 | 421590 | GUARNIZIONE | SEAL | DICHTUNG | JOINT |
| 0617 | 460109 | BOCCOLA | BUSHING | LAGER | DOUILLE |
| 0618 | 4-103061 | MOLLA A GANCI | SPRING | | |

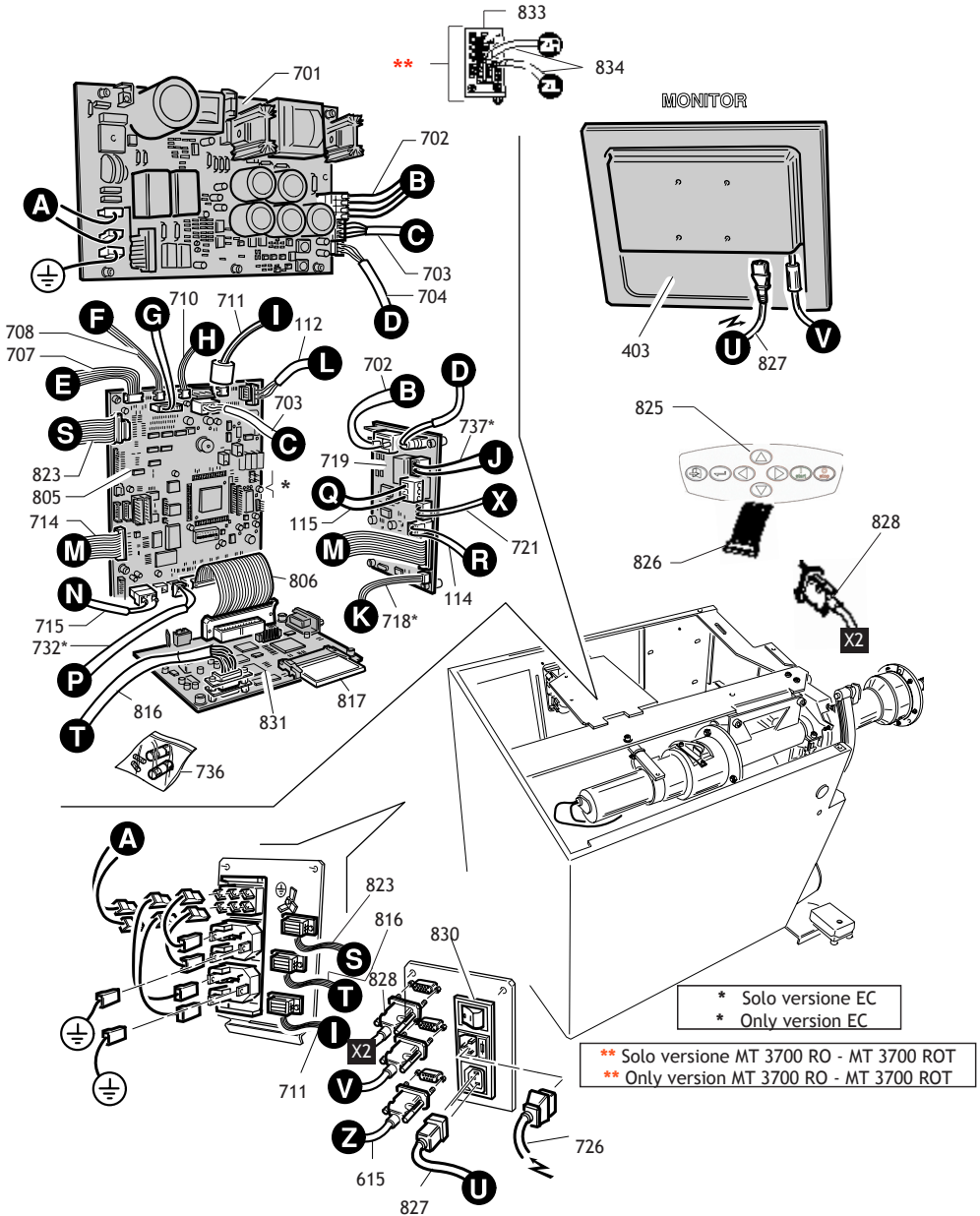
| | | | | | |
|-------------|---------------|-------------------------|----------------------|------------------|-----------------|
| 9600 | 257670 | RILEVATORE | SIGNAL TRACER | AUFNEHMER | MESUREUR |
| 0603 | 353559 | BRACCIO | ARM | ARM | BRAS |
| 0604 | 453572 | TASTATORE | FEELER PIN | FUEHLER | PALPEUR |
| 0605 | 454458 | PROTEZIONE | SHIELD | ABDECKUNG | PROTECTION |
| 0607 | 453579 | INGRANAGGIO | GEAR | ZAHNRADGETRIEBE | ENGRENAGE |
| 0608 | 454457 | CORPO | BODY | KOERPER | CORPS |
| 0609 | 449326 | PIGNONE | PINION | RITZEL | PIGNON |
| 0610 | 5-101455 | POTENZIOMETRO | POTENTIOMETER | POTENTIOMETER | POTENTIOMETRE |
| 0611 | 455120 | MOLLA | SPRING | FEDER | RESSORT |
| 0612 | 454239 | MOLLA | SPRING | FEDER | RESSORT |
| 0614 | 4-106072 | COPERCHIO | LID | DECKEL | COUVERCLE |
| 0615 | 4-106012 | CONN.A VASCHETTA L.2000 | | CABLE L.2000 | |
| 0616 | 4-106036 | CAVO FLAT L.100 | FLAT CABLE L.100 | | |



* Solo versione EC
* Only version EC

| | | | | | |
|-------|----------|---------------------|---------------|-----------------|---------------|
| 0701 | 5-102761 | SK.ALIMENTAZIONE | P.C. BOARD | ELEKTR. PLATINE | FICHE ELECTR. |
| 0702 | 4-105030 | CAVO | CABLE | KABEL | CABLE |
| 0703 | 4-104673 | CAVO | CABLE | KABEL | CABLE |
| 0704 | 4-105032 | CAVO | CABLE | KABEL | CABLE |
| 0705 | 5-102081 | SCHEDA CPU | P.C. BOARD | ELEKTR. PLATINE | FICHE ELECTR. |
| 0707 | 454754 | CAVO FLAT | FLAT CABLE | FLACHER KABEL | CABLE FLAT |
| 0708 | 4-105572 | CAVO | CABLE | KABEL | CABLE |
| 0710 | 4-105571 | CAVO FLAT | FLAT CABLE | FLACHER KABEL | CABLE FLAT |
| 0711 | 455181 | CAVO FLAT | FLAT CABLE | FLACHER KABEL | CABLE FLAT |
| 0714 | 4-104683 | CAVO FLAT | FLAT CABLE | FLACHER KABEL | CABLE FLAT |
| 0715 | 4-104678 | CAVO | CABLE | KABEL | CABLE |
| 0718* | 4-102558 | CAVO FLAT | FLAT CABLE | FLACHER KABEL | CABLE FLAT |
| 0719 | 5-102685 | SCHEDA MOTORI | P.C. BOARD | ELEKTR. PLATINE | FICHE ELECTR. |
| 0721* | 4-105133 | FRIZIONE | CLUTCH | KUPPLUNG | EMBRAYAGE |
| 0726 | 3-01943 | CAVO | CABLE | KABEL | CABLE |
| 0732* | 4-105978 | CAVO | CABLE | KABEL | CABLE |
| 0736 | 5-102043 | KIT FUSIBILI 8 AT | FUSE KIT 8 AT | | |
| 0737* | 4-105403 | CAVO MOTORIDUTTORE | | CABLE | |
| 0739 | 4-106011 | CAVO FLAT | FLAT CABLE | FLACHER KABEL | CABLE FLAT |
| 0740 | 4-106053 | CAVO FLAT | FLAT CABLE | FLACHER KABEL | CABLE FLAT |
| 0741 | 3-01940 | INTERRUTTORE | SWITCH | SCHALTER | INTERRUPTEUR |
| 0742 | 4-106012 | CAVO PROLUNGA | CABLE | KABEL | CABLE |
| 0745 | 4-104698 | CAVO FLAT | FLAT CABLE | FLACHER KABEL | CABLE FLAT |
| 0112 | 5-102760 | PICK-UP | PICK-UP | PICK-UP | PICK-UP |
| 0114 | 4-104594 | FRENO | BRAKE | BREMSE | FREIN |
| 0115 | 5-103007 | MOTORE+PULEGG. | MOTOR | MOTOR | MOTEUR |
| 0301 | 5-102755 | TASTIERA | KEYBOARD | TASTATUR | CLAVIER |
| 0302 | 5-102754 | SK.VISUALIZZAZIONE | P.C. BOARD | ELEKTR. PLATINE | FICHE ELECTR. |
| 0303 | 5-102752 | SK.INTERF.LCD/TAST. | P.C. BOARD | ELEKTR. PLATINE | FICHE ELECTR. |
| 0615 | 4-106012 | CAVO FLAT | FLAT CABLE | FLACHER KABEL | CABLE FLAT |

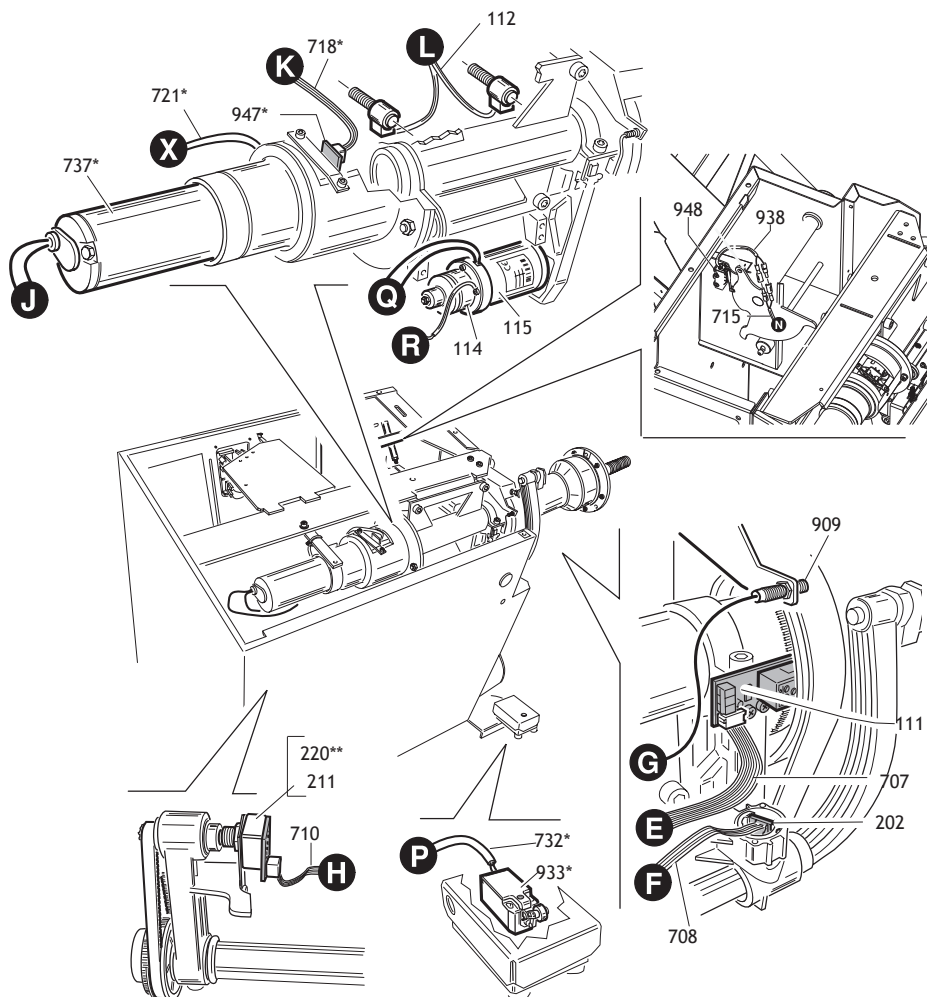
* Solo versione EC
* Only version EC



| | | | | | |
|--------|----------|---------------------|--------------|-----------------|---------------|
| 0112 | 5-102760 | PICK-UP | PICK-UP | PICK-UP | PICK-UP |
| 0114 | 4-104594 | FRENO | BRAKE | BREMSE | FREIN |
| 0115 | 5-103007 | MOTORE CC+PULEG. | MOTOR | MOTOR | MOTEUR |
| 0403 | 4-103594 | MONITOR 17" | MONITOR 17" | MONITOR 17" | MONITEUR 17" |
| 0403 | 3-01952 | MONITOR 19" | MONITOR 19" | MONITOR 19" | MONITEUR 19" |
| 0615 | 4-106012 | CAVO FLAT | FLAT CABLE | FLACHER KABEL | CABLE FLAT |
| 0701 | 5-102761 | SK.ALIMENTZIONE | P.C. BOARD | ELEKTR. PLATINE | FICHE ELECTR. |
| 0702 | 4-105030 | CAVO | CABLE | KABEL | CABLE |
| 0703 | 4-104673 | CAVO | CABLE | KABEL | CABLE |
| 0704 | 4-105032 | CAVO | CABLE | KABEL | CABLE |
| 0707 | 454754 | CAVO FLAT | FLAT CABLE | FLACHER KABEL | CABLE FLAT |
| 0708 | 4-105572 | CAVO | CABLE | KABEL | CABLE |
| 0710 | 4-105571 | CAVO FLAT | FLAT CABLE | FLACHER KABEL | CABLE FLAT |
| 0711 | 455181 | CAVO FLAT | FLAT CABLE | FLACHER KABEL | CABLE FLAT |
| 0714 | 4-104683 | CAVO FLAT | FLAT CABLE | FLACHER KABEL | CABLE FLAT |
| 0715 | 4-104678 | CAVO | CABLE | KABEL | CABLE |
| 0718* | 4-102558 | CAVO FLAT | FLAT CABLE | FLACHER KABEL | CABLE FLAT |
| 0719 | 5-102685 | SCHEDA MOTORI | P.C. BOARD | ELEKTR. PLATINE | FICHE ELECTR. |
| 0721* | 4-105133 | FRIZIONE | CLUTCH | KUPPLUNG | EMBAYAGE |
| 0726 | 3-01943 | CAVO | CABLE | KABEL | CABLE |
| 0732* | 4-105978 | CAVO | CABLE | KABEL | CABLE |
| 0736 | 5-102043 | KIT FUSIBILI 8AT | FUSE KIT 8AT | | |
| 0737* | 4-105403 | MOTORIDUTTORE | GEARMOTOR | | |
| 0805 | 5-102080 | SCHEDA CPU | P.C. BOARD | ELEKTR. PLATINE | FICHE ELECTR. |
| 0806 | 4-104685 | CAVO FLAT | FLAT CABLE | FLACHER KABEL | CABLE FLAT |
| 0816 | 253692 | CAVO | CABLE | KABEL | CABLE |
| 0817 | 3-02032 | COMPACT FLASH VUOTA | | COMPACT FLASH | |
| 0823 | 4-106038 | CAVO FLAT | FLAT CABLE | FLACHER KABEL | CABLE FLAT |
| 0825 | 4-105879 | TASTIERA MT3700 | KEYBOARD | | |
| 0826 | 4-106035 | CAVO FLAT | FLAT | KABEL | CABLE |
| 0827 | 3-01942 | CAVO | CABLE | KABEL | CABLE |
| 0828 | 4-106052 | CAVO PROLUNGA | CABLE | KABEL | CABLE |
| 0830 | 3-01941 | INTERRUTTORE | SWITCH | SCHALTER | INTERRUPTEUR |
| 0831 | 4-105739 | SCHEDA GRAFICA | P.C. BOARD | ELEKTR. PLATINE | FICHE ELECTR. |
| 0833** | 4-103804 | SCHEDA SONAR | P.C. BOARD | ELEKTR. PLATINE | FICHE ELECTR. |
| 0834** | 5-102227 | CAVO SONAR | CABLE | KABEL | CABLE |

* Solo versione EC
* Only version EC

** Solo versione MT 3700 RO - MT 3700 ROT
** Only version MT 3700 RO - MT 3700 ROT



* Solo versione EC
 * Only version EC

** Solo versione MT 3700 RO - MT 3700 ROT
 ** Only version MT 3700 RO - MT 3700 ROT



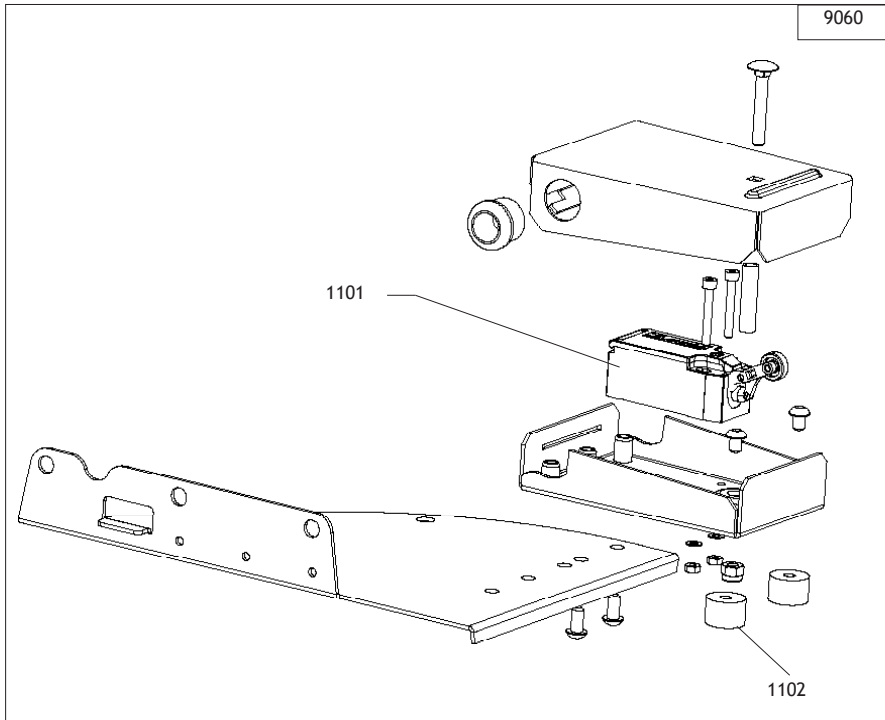
| | | | | | |
|--------|----------|------------------|-------------|-----------------|-------------------|
| 0111 | 5-101447 | SK.ENCODER | P.C. BOARD | ELEKTR. PLATINE | FICHE ELECTR. |
| 0112 | 5-102760 | PICK-UP | PICK-UP | PICK-UP | PICK-UP |
| 0114 | 4-104594 | FRENO | BRAKE | BREMSE | FREIN |
| 0115 | 5-103007 | MOTORE CC+PULEG. | MOTOR | MOTOR | MOTEUR |
| 0202 | 5-100414 | SK.SENSORE | P.C. BOARD | ELEKTR. PLATINE | FICHE ELECTR. |
| 0211 | 4-105330 | ENCODER | ENCODER | CODIERER | ENCODER |
| 0220** | 4-104312 | ENCODER | ENCODER | CODIERER | ENCODER |
| 0707 | 454754 | CAVO FLAT | FLAT CABLE | FLACHER KABEL | CABLE FLAT |
| 0708 | 4-105572 | CAVO | CABLE | KABEL | CABLE |
| 0710 | 4-105571 | CAVO FLAT | FLAT CABLE | FLACHER KABEL | CABLE FLAT |
| 0715 | 4-104678 | CAVO | CABLE | KABEL | CABLE |
| 0718* | 4-102558 | CAVO FLAT | FLAT CABLE | FLACHER KABEL | CABLE FLAT |
| 0721* | 4-105133 | FRIZIONE | CLUTCH | KUPPLUNG | EMBAYAGE |
| 0732* | 4-105978 | CAVO | CABLE | KABEL | CABLE |
| 0737* | 4-105403 | MOTORIDUTTORE | GEAR BOX | | |
| 0909 | 4-104677 | INTERRUTTORE | SWITCH | SCHALTER | INTERRUPTEUR |
| 0933* | 4-105962 | MICROINTER. | MICROSWITCH | MIKROSCHALTER | MICROINTERRUPTEUR |
| 0938 | 241604 | CAVO | CABLE | KABEL | CABLE |
| 0948 | 4-109005 | MICRO | SWITCH | | |
| 0947* | 5-101537 | SK REFLEX | ENCODER | CODIERER | ENCODER |

* Solo versione EC

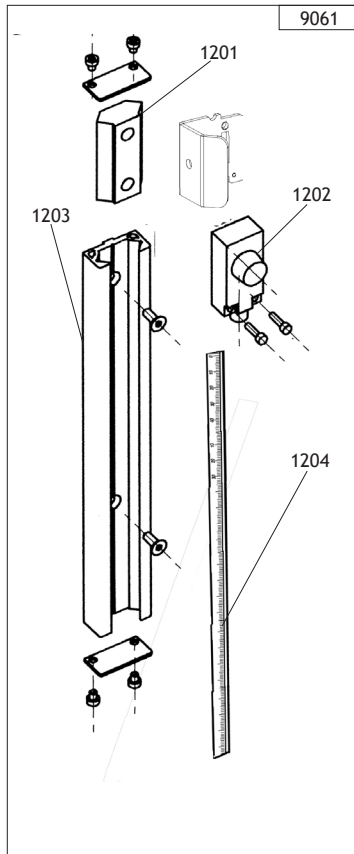
* Only version EC

** Solo versione MT 3700 RO - MT 3700 ROT

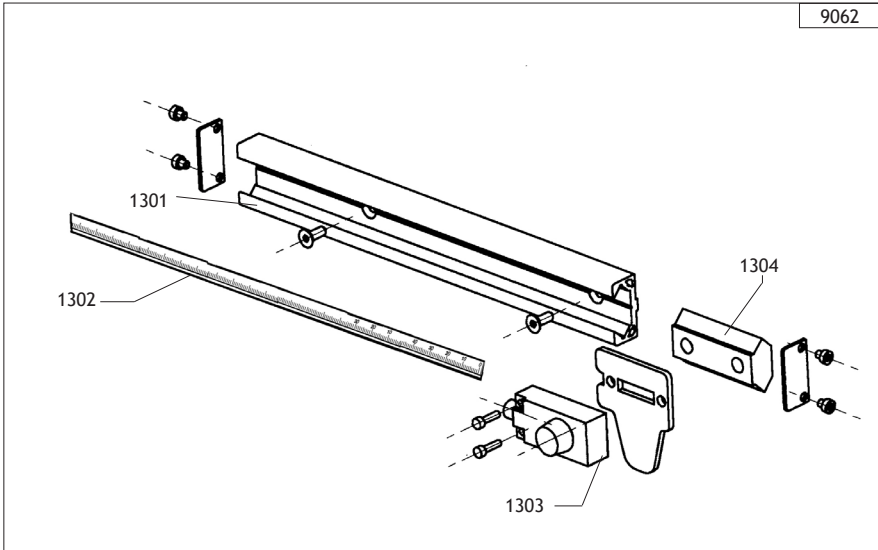
** Only version MT 3700 RO - MT 3700 ROT



| | | | | | |
|------|----------|-----------------|------------------|----------------|----------------|
| 9060 | 5-102030 | PEDALE COMPLETO | PEDAL | | |
| 1101 | 4-105962 | MICINTERRUT. | SWITCH | | |
| 1102 | 441675 | ANTIVIBRAZIONI | VIBRATION DAMPER | SCHWINGUNGSDAE | ANTI-VIBRATION |



| | | | | | |
|------|----------|------------------|-----------------|-------------|---------|
| 9061 | 5-102152 | GRUP. RILEVATORE | SIGNAL TR. ASS. | | |
| 1201 | 4-104055 | PATTINO | PAD | GLEITSTCHUH | PATIN |
| 1202 | 4-104053 | SENSORE | SENSOR | SONDE | CAPTEUR |
| 1203 | 4-106301 | TRAFILATO | DRAWN | GEZOGEN | TREFILE |
| 1204 | 4-106942 | ADESIVO | DECAL | KLEBER | ADHESIF |



| | | | | | |
|------|----------|------------------|-----------------|-------------|---------|
| 9062 | 5-102312 | GRUP. RILEVATORE | SIGNAL TR. ASS. | | |
| 1301 | 4-103631 | TRAFILATO | DRAWN | GEZOGEN | TREFILE |
| 1302 | 4-104860 | ADESIVO | DECAL | KLEBER | ADHESIF |
| 1303 | 4-104053 | SENSORE | SENSOR | SONDE | CAPTEUR |
| 1304 | 4-104055 | PATTINO | PAD | GLEITSTCHUH | PATIN |

A large rectangular frame containing 20 horizontal dotted lines, providing a space for writing or drawing.

A large rectangular area containing 20 horizontal dotted lines, intended for writing or drawing.

A large rectangular frame containing 20 horizontal dotted lines, providing a space for writing or drawing.



MONDOLFO FERRO S.p.a.
Viale dell'industria, 20 - 61037 MONDOLFO (PU) Italy
info@mondolfoferro.it
www.mondolfoferro.it