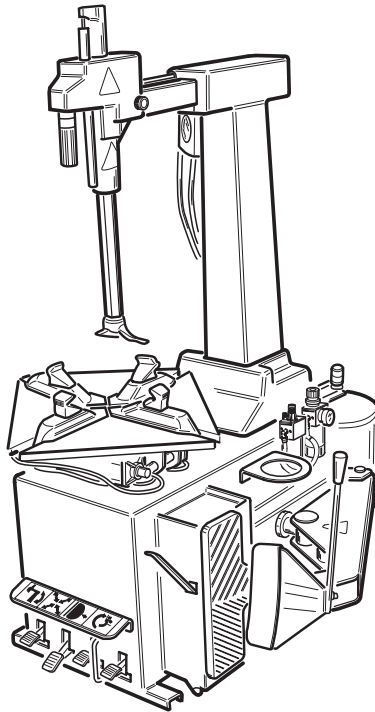
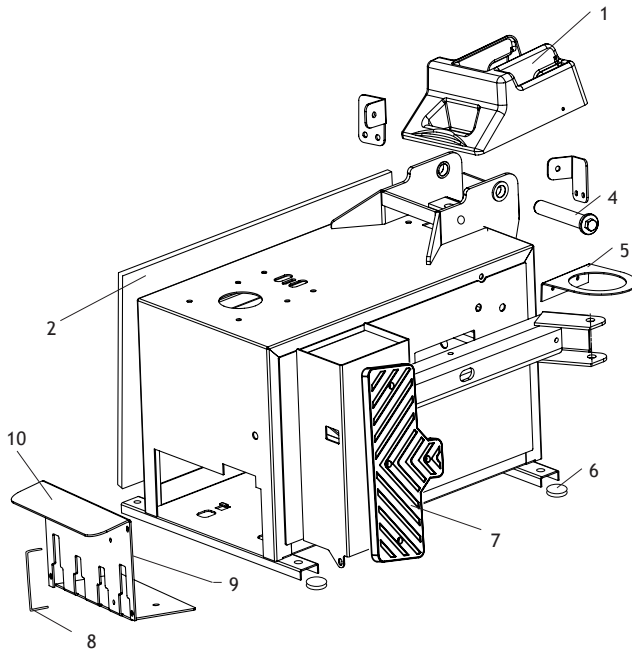


*Lista Componenti*  
*List of components*  
*Ersatzteilliste*  
*Lista de lo Componentes*



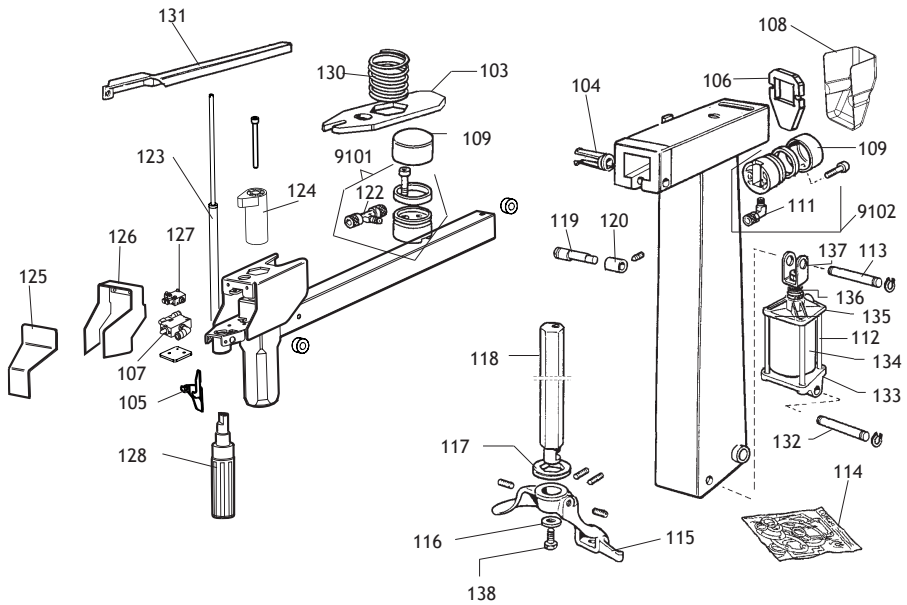
**AS946 -AS946 TI**

*Production 04/2009 - Code 4-106252A*

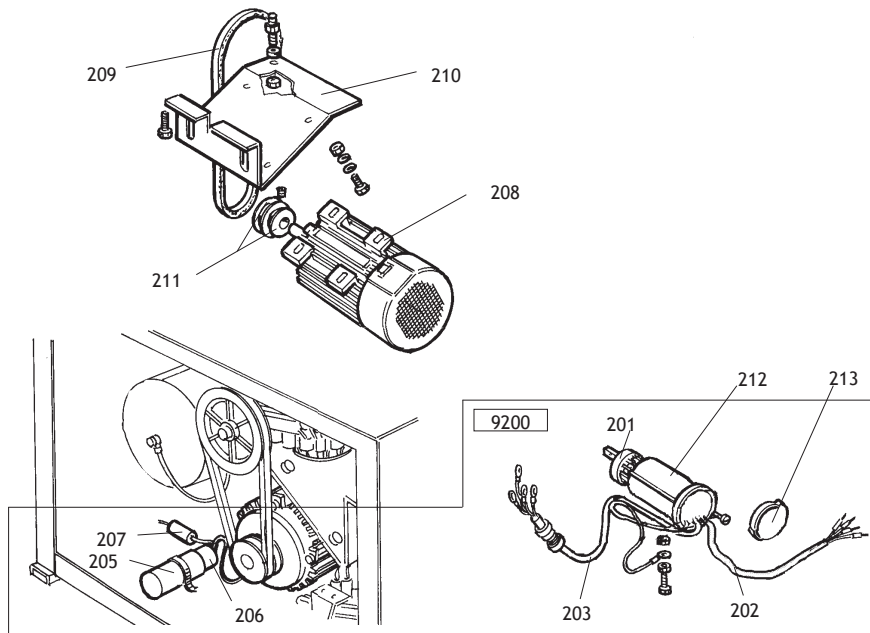




0001	4-102137	CARTER	CASING	GEHAUSE	CARTER
0002	5-100884	COPERCHIO+ADESIVI	LID	DECKEL	COUVERCLE
0003	4-102365	PERNO	PIN	ZAPFEN	PIVOT
0005	326169	SUPPORTO	SUPPORT	LAGER	SUPPORT
0006	35011564	PIEDE	FOOT	FUSS	PIED
0007	35016507	SUPPORTO	SUPPORT	LAGER	SUPPORT
0008	346545	CAVALLOTTO	U-BOLT	BUEGELBOLZEN	CRAMPILLON
0009	4-102260	FRONTALE	FRONT PANEL	STIRNBAND	FRONTAL
0010	35019950	ADESIVO PEDAL.1V	LABEL		
0010	35020887	ADESIVO PEDAL.2V	LABEL		



0103	4-102002	PIASTRA	SLAB		
0104	431061	BOCCOLA	BUSHING	LAGER	DOUILLE
0105	4-102342	PULSANTE	BUTTON	DRUCKKNOPF	BOUTON
0106	4-102005	PIASTRA	SLAB	PLATTE	PLAQUE
0107	5-100681	VALVOLA	VALVE	VENTIL	VANNE
0108	4-102138	PROTEZIONE	SHIELD	ABDECKUNG	PROTECTION
0109	326537	CILINDRO	CYLINDER	ZYLINDER	CYLINDRE
0110	239805	PISTONE	PISTON	KOLBEN	PISTON
0111	3-00106	RACCORDO	CONNECTOR	ANSCHLUSS	RACCORD
0112	5-100564	CILINDRO	CYLINDER	ZYLINDER	CYLINDRE
0113	4-102370	PERNO	PIN	ZAPFEN	PIVOT
0114	241484	KIT GUARNIZIONI	SEALS KIT	DICHTUNGSATZ	KIT JOINTS
0115	5-100353	TORRETTA	MOUNT/DEMOUNT HEAD		
0116	350194	RONDELLA	WASHER	UNTERLEGSSCHEIBE	RONDELLE
0117	428681	ANELLO	RING	RING	ANNEAU
0118	4-101998	BRACCIO	ARM	ARM	BRAS
0119	4-102006	ECCENTRICO	ECCENTRIC	NOCKEN	EXCENTRIQUE
0120	4-102007	RULLO	ROLLER	WALZE	ROULEAU
0122	3-00119	RACCORDO	CONNECTOR	ANSCHLUSS	RACCORD
0123	32020007	CILINDRO	CYLINDER	ZYLINDER	CYLINDRE
0124	35020035	MANOPOLA	KNOB	BALLENGRIFF	BOUTONE
0125	35020003	CARTER	CASING	GEHAUSE	CARTER
0126	4-102234	CARTER	CASING	GEHAUSE	CARTER
0127	5-100682	VALVOLA	VALVE	VENTIL	VANNE
0128	5-101901	MANOPOLA	KNOB	BALLENGRIFF	BOUTONE
0130	463167	MOLLA	SPRING	FEDER	RESSORT
0131	426763	GUIDA	GUIDE	FUEHRUNG	GLISSIERE
0132	344989	PERNO INF.	PIN		
0133	338299	FLALGIA POST.	FLANGE		
0134	4-101990	CAMICIA	LINER		
0135	338300	FLANGIA ANT.	FLANGE		
0136	4-101989	STELO	ROD		
0137	323350	CAVALLOTTO	SUPPORT		
0138	350197	VITE	SCREW		



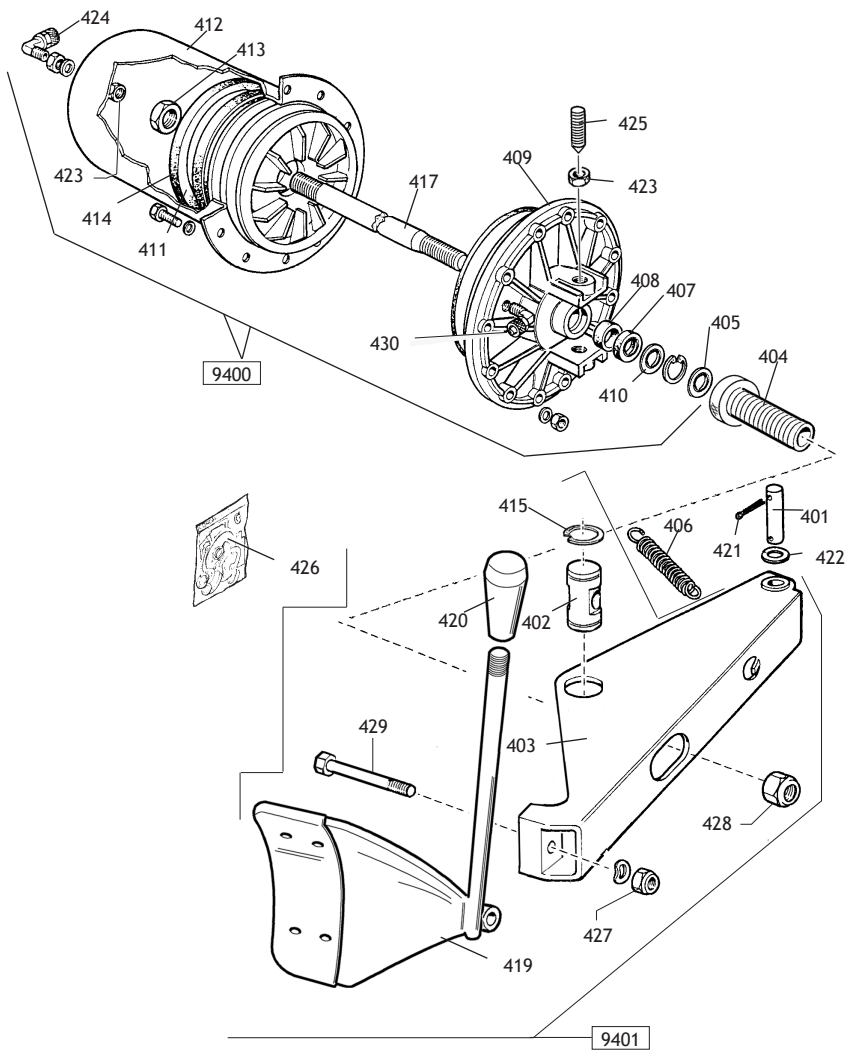
<b>9200</b>	<b>249882</b>	<b>IMP.ELETTR. 110V 1PH</b>		<b>ELEC. SYSTEM</b>	
0201	5-102741	INVERTITORE	REVERSER	RICHTUNGSWENDER	INVERSEUR
0202	230709	CAVO RETE	CABLE	KABEL	CABLE
0203	225419	CAVO MOTORE	CABLE	KABEL	CABLE
0205	430750	CAPPELLOTTO	CAP NUT	ABSCHLUSSKAPPE	CAPUCHON
0206	449751	CONDENSATORE	CAPACITOR	KONDENSATOR	CONDENSATEUR
0207	430770	RESISTENZA	RESISTANCE	WIDERSTAND	RESISTANCE
0212	432065	PROTEZIONE	SHIELD	ABDECKUNG	PROTECTION
0213	430991	COPERCHIO	LID	DECKEL	COUVERCLE
<b>9200</b>	<b>249881</b>	<b>IMP.ELETTR. 220V 1PH</b>		<b>ELEC. SYSTEM</b>	
0201	5-102742	INVERTITORE	REVERSER	RICHTUNGSWENDER	INVERSEUR
0202	235520	CAVO RETE	CABLE	KABEL	CABLE
0203	225419	CAVO MOTORE	CABLE	KABEL	CABLE
0205	414850	CAPPELLOTTO	CAP NUT	ABSCHLUSSKAPPE	CAPUCHON
0206	449750	CONDENSATORE	CAPACITOR	KONDENSATOR	CONDENSATEUR
0207	430770	RESISTENZA	RESISTANCE	WIDERSTAND	RESISTANCE
0212	432065	PROTEZIONE	SHIELD	ABDECKUNG	PROTECTION
0213	430991	COPERCHIO	LID	DECKEL	COUVERCLE
<b>9200</b>	<b>235574</b>	<b>IMP.ELETTR. 3PH</b>	<b>ELEC. SYSTEM</b>		
0201	5-102742	INVERTITORE	REVERSER	RICHTUNGSWENDER	INVERSEUR
0202	235518	CAVO RETE	CABLE	KABEL	CABLE
0203	225390	CAVO MOTORE	CABLE	KABEL	CABLE
0212	432065	PROTEZIONE	SHIELD	ABDECKUNG	PROTECTION
0213	430991	COPERCHIO	LID	DECKEL	COUVERCLE

0208	422013	MOTORE 400-230V/3/50-60		MOTOR 400-230V/3/50-60	
0208	449747	MOTORE 230V/1/50		MOTOR 230V/1/50	
0208	449749	MOTORE 110V/1/60		MOTOR 110V/1/60	
0209	3-00555	CINGHIA	BELT	RIEMEN	COURROIE
0210	334768	CULLA	CRADLE	WIEGE	BERCEAU
0211	325274	PULEGGIA	PULLEY	RIEMENSCHIEBE	POULIE





9300	5-100714	PEDALIERA	CONTROL PEDAL	PEDALERIE	GR.PEDALES
0301	3-00183	SILENZIATORE	SILENCER	SCHALLDAEMPFER	SILENCIEUX
0303	325019	BALESTRA	LEAF SPRING	BLATTFEDER	RESSORT A LAMES
0304	425020	CAMMA	CAM	NOCKEN	CAME
0305	325018	CAVALLOTTO	U-BOLT	BUEGELBOLZEN	CRAMPILLON
0306	425014	BIELLA	TRACE	PLEUELSTANGE	BIELLE
0308	2-02247	RONDELLA	WASHER	UNTERLEGSSCHEIBE	RONDELLE
0309	309358	RONDELLA	WASHER	UNTERLEGSSCHEIBE	RONDELLE
0310	325005	PERNO	PIN	ZAPFEN	PIVOT
0311	410628	MOLLA	SPRING	FEDER	RESSORT
0312	325031	PEDALE AUTOCENTR.	PEDAL	PEDAL	PEDALE
0313	325032	PEDALE STALL.	PEDAL	PEDAL	PEDALE
0314	325050	DISTANZIALE	SPACER	ABSTANDSSTUECK	ENTRETOISE
0315	5-102714	PEDALE INVERT.	PEDAL	PEDAL	PEDALE
0319	5-102739	RUBINETTO DOPPO	VALVE	HAHN	ROBINET
0322	428682	MOLLA	SPRING	FEDER	RESSORT
0323	433675	REGOLATORE	REGULATOR	REGLER	REGULATEUR
0324	524273	SUPPORTO	SUPPORT	LAGER	SUPPORT
0325	325030	PEDALE ALZA PALO	PEDAL	PEDAL	PEDALE
0326	452011	BOCCOLA	BUSHING	LAGER	DOUILLE
0327	317610	TUBO	PIPE	ROHR	TUYAU
0330	257137	RUBINETTO SINGOLO	VALVE	VENTIL	VANNE

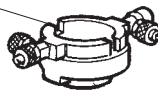


		CILINDRO STALLONATORE		BEAD-BREAKER CYLINDER	
9400	5-101261				
0405	35015286	TAMPONE	PAD	PUFFER	TAMPON
0407	423349	GUARNIZIONE	SEAL	DICHTUNG	JOINT
0408	424257	ANELLO	RING	RING	ANNEAU
0409	351905	FLANGIA	FLANGE	FLANSCH	FLASQUE
0410	325561	RONDELLA	WASHER	UNTERLEGSCHIEBE	RONDELLE
0411	433339	GUARNIZIONE	SEAL	DICHTUNG	JOINT
0412	330190	CILINDRO	CYLINDER	ZYLINDER	CYLINDRE
0413	2-00989	DADO	NUT	MUTTER	ECROU
0414	337848	PISTONE	PISTON	KOLBEN	PISTON
0417	4-103920	STELO	STEM	SCHAFT	TIGE
0423	2-00992	DADO	NUT		
0424	3-00517	RACCORDO PNEUMATICO		UNION	
0425	431864	VITE	SCREW	SCHRAUBE	VIS
0430	3-00222	RACCORDO	UNION		

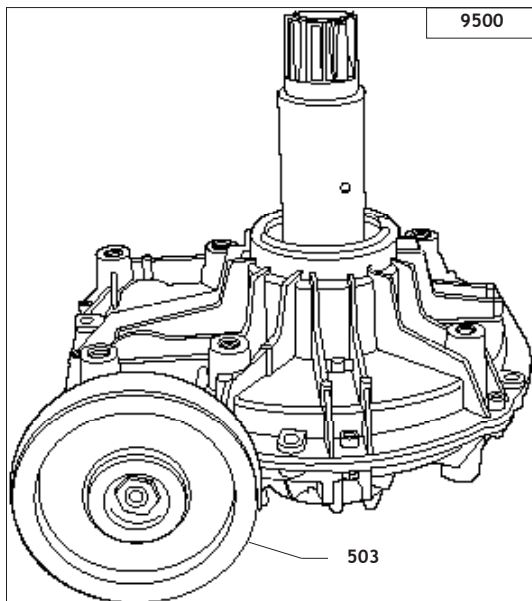
9401	5-101260	GR. BRACCIO STALLONATORE		ARM	
0402	33017256	PERNO	PIN	ZAPFEN	PIVOT
0403	4-103908	BRACCIO	ARM	ARM	BRAS
0406	4-104313	MOLLA	SPRING	FEDER	RESSORT
0415	2-02510	SEEGER	SNAP RING	SEEGERRING	ARRETOIR
0419	4-102689	PALETTA	BEAD BREAKER	SCHAUFEL	LEN-R
0420	87221002	POMOLO	KNOB	BALLENGRIFF	POMMEAU
0427	2-01166	DADO	NUT		
0429	2-02670	VITE	SCREW		

0401	323903	FULCRO	FULCRUM	DREHPUNKT	ENTABLURE
0404	36020245	VITE	SCREW	SCHRAUBE	VIS
0421	2-00047	COPIGLIA	COTTER	SPLI NT	GOUPILLE
0422	2-01045	RONDELLA	WASHER	UNTERLEGSCHIEBE	RONDELLE
0426	238212	KIT GUARNIZIONI	SEALS KIT	DICHTUNGSATZ	KIT JOINTS
0428	4-106071	DADO	NUT		

502



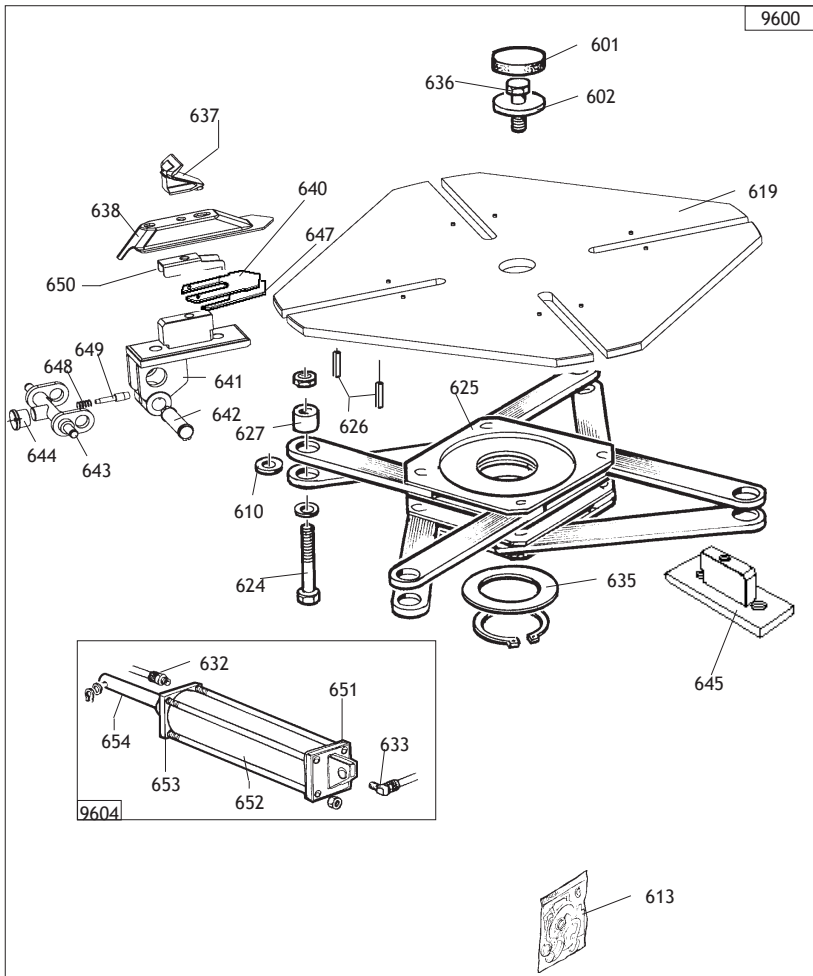
Solo AS946  
AS946 Only





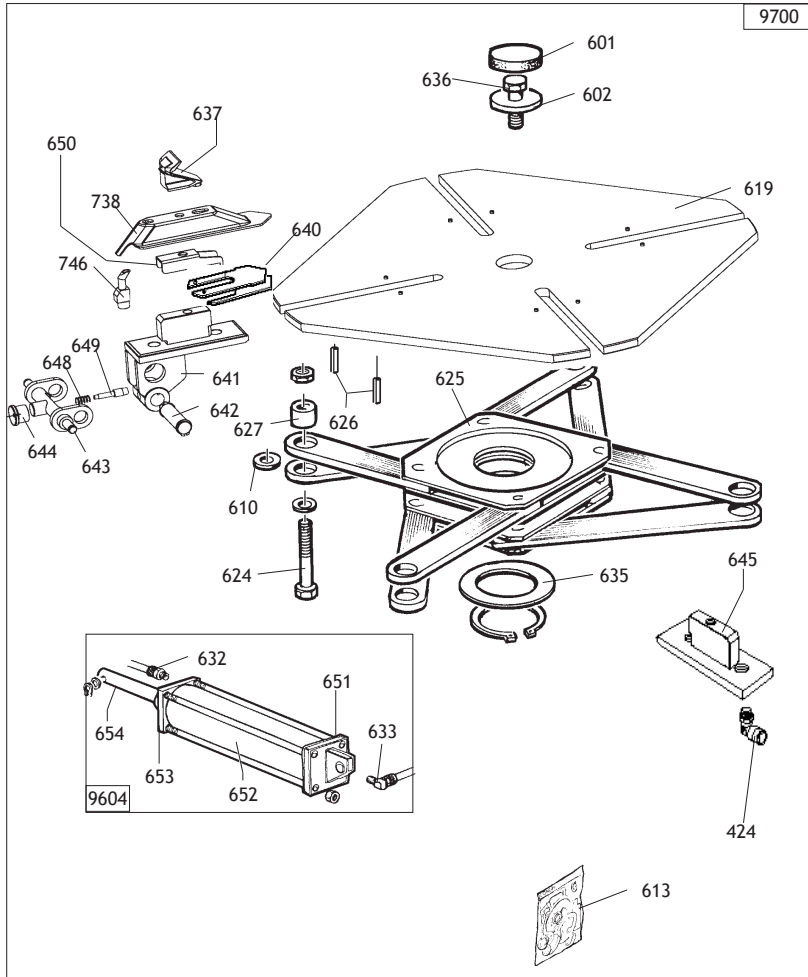
9500	5-102648	RIDUTTORE DV	GEAR BOX
0503	339870	PULEGGIA	PULLEY

0502	900228389	RACCORDO	UNION
------	-----------	----------	-------



9600	5-102139	KIT MORSA 10"-26"	CUCK KIT		
0601	426514	TAPPO	PLUG	STOPFEN	BOUCHON
0602	323363	RONDELLA	WASHER	UNTERLEGSCHIEBE	RONDELLE
0610	428636	RONDELLA	WASHER	UNTERLEGSCHIEBE	RONDELLE
0613	238548	KIT GUARNIZIONI	SEALS KIT	DICHTUNGSATZ	KIT JOINTS
0619	4-101655	PIATTO	PLATE	TELLER	PLAT
0624	2-03295	VITE	SCEW		
0626	2-01059	SPINA	PLUG		
0625	4-101651	FLANGIA	FLANGE	FLANSCH	FLASQUE
0627	337965	BOCCOLA	BUSHING	LAGER	DOUILLE
0635	455082	RONDELLA	WASHER	UNTERLEGSCHIEBE	RONDELLE
0636	2-01216	VITE	SCREW	SCHRAUBE	VIS
0637	3008225	GRIFFA	JAW	BACKE	MORS
0638	4-101872	SCORREVOLE	SLIDER	SCHIEBER	CURSEUR
0650	4-106243	LAMIERINO	SLIDE	SCHLITTEN	CHARIOT
0641	4-101721	APPOGGIO TRAINANT.	RIM SUPPORT	STUETZE	APPUI
0642	4-101442	PERNO	PIN	ZAPFEN	PIVOT
0643	4-101447	MANOVELLA	CRANK	KURBEL	MANIVELLE
0644	4-101443	POMOLO	KNOB	BALLENGRIFF	POMMEAU
0645	4-101122	SUPPORTO TRAINATO	SUPPORT		
0647	4-106244	SLITTA	SLIDE	SCHLITTEN	CHARIOT
0648	4-101422	MOLLA	SPRING	FEDER	RESSORT
0649	4-101444	INNESTO	CLUTCH	KUPPLUNG	EMBRAYAGE

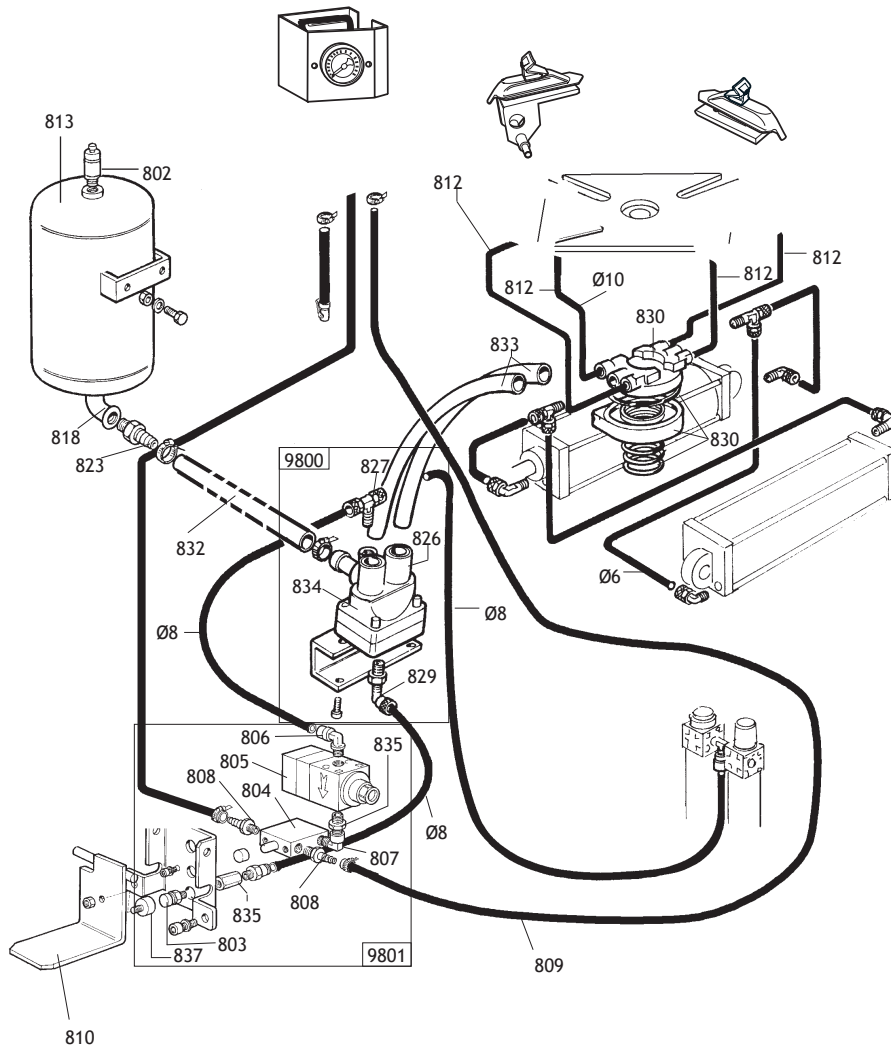
9604	5-100357	CILINDRO DESTRO 10-26 SX		CYLINDER RIGHT	
9604	5-100356	CILINDRO SINISTRO 10-26DX		CYLINDER LEFT	
0632	3-02045	RACCORDO DRITTO		FITTING	
0633	3-02044	RACCORDO A 90°		90° FITTING	
0640	4-106245	SLITTA	SLIDE		
0651	328573	FLANGIA POST.	FLANGE		
0652	4-101083	CAMICIA	LINER		
0653	328572	FLANGIA ANT.	FLANGE		
0654	4-101430	STELO	ROD		





9700	5-101776	KIT MORSA 10°-26° TI		CUCK KIT 10°-26°TI	
0601	426514	TAPPO	PLUG	STOPFEN	BOUCHON
0602	323363	RONDELLA	WASHER	UNTERLEGSCHIEBE	RONDELLE
0610	428636	RONDELLA	WASHER	UNTERLEGSCHIEBE	RONDELLE
0613	238548	KIT GUARNIZIONI	SEALS KIT	DICHTUNGSATZ	KIT JOINTS
0619	4-101655	PIATTO	PLATE	TELLER	PLAT
0625	4-101651	FLANGIA	FLANGE	FLANSCH	FLASQUE
0627	337965	BOCCOLA	BUSHING	LAGER	DOUILLE
0635	455082	RONDELLA	WASHER	UNTERLEGSCHIEBE	RONDELLE
0636	2-01216	VITE	SCREW	SCHRAUBE	VIS
0637	3008225	GRIFFA	JAW	BACKE	MORS
0738	4-101871	SCORREVOLE TI	SLIDER	SCHIEBER	CURSEUR
0650	4-106243	LAMIERINO	SLIDE	SCHLITTEN	CHARIOT
0641	4-101721	APPOGGIO TRAINANTERIM SUPPORT		STUETZE	APPUI
0642	4-101442	PERNO	PIN	ZAPFEN	PIVOT
0643	4-101447	MANOVELLA	CRANK	KURBEL	MANIVELLE
0644	4-101443	POMOLO	KNOB	BALLENGRIFF	POMMEAU
0645	4-101122	SUPPORTO TRAINATO	SUPPORT		
0647	4-106244	SLITTA	SLIDE	SCHLITTEN	CHARIOT
0648	4-101422	MOLLA	SPRING	FEDER	RESSORT
0649	4-101444	INNESTO	CLUTCH	KUPPLUNG	EMBRAYAGE
0746	4-101918	UGELLO	NOZZLE		
0424	3-00517	RACCORDO	FITTING		

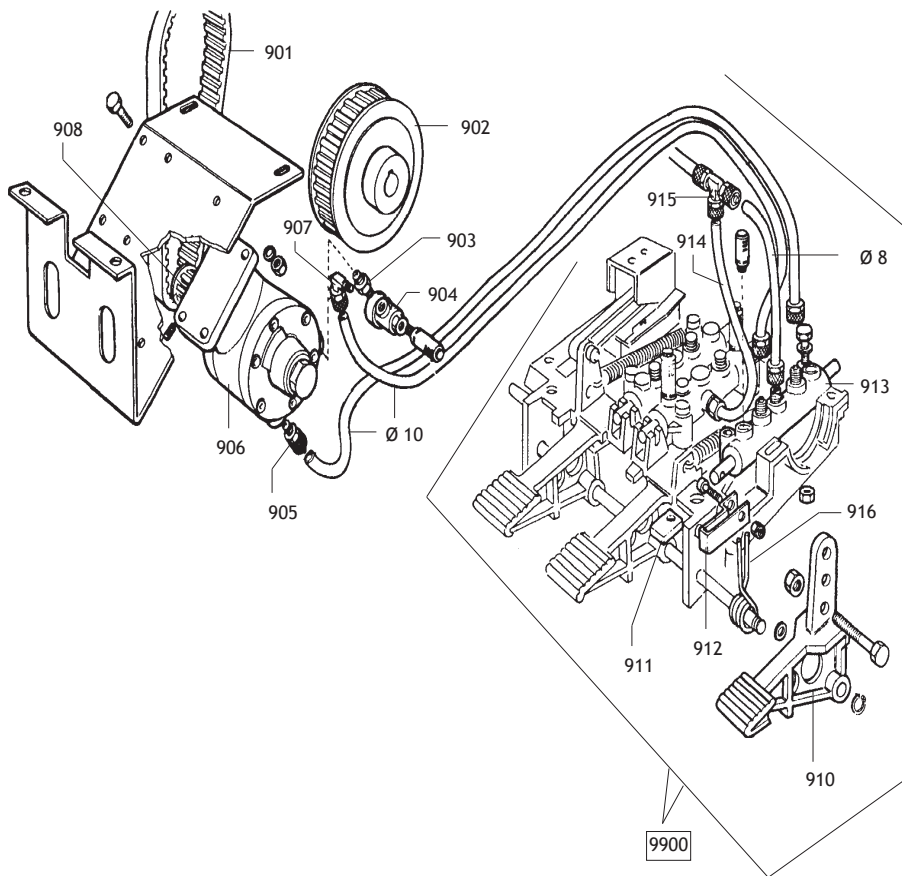
9604	5-100357	CILINDRO DESTRO 10-26 SX		CYLINDER RIGHT	
9604	5-100356	CILINDRO SINISTRO 10-26 DX		CYLINDER LEFT	
0632	3-02045	RACCORDO DRITTO	FITTING		
0633	3-02044	RACCORDO A 90°	90° FITTING		
0640	4-106245	SLITTA	SLIDE		
0651	328573	FLANGIA POST.	FLANGE		
0652	4-101083	CAMICIA	LINER		
0653	328572	FLANGIA ANT.	FLANGE		
0654	4-101430	STELO	ROD		



<b>9800</b>	<b>242290</b>	<b>VALVOLA</b>	<b>VALVE</b>		
0826	3-00403	CARTUCCE	CARTRIDGE	EINSATZ	CARTOUCHE
0827	3-00287	RACCORDO	CONNECTOR	ANSCHLUSS	RACCORD
0829	3-00051	RACCORDO	CONNECTOR	ANSCHLUSS	RACCORD
0834	243020	VALVOLA	VALVE	VENTIL	VANNE

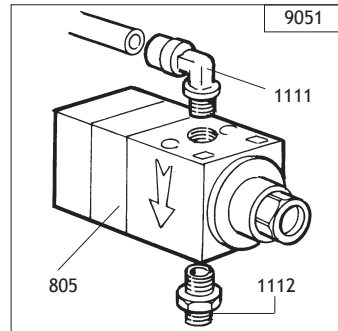
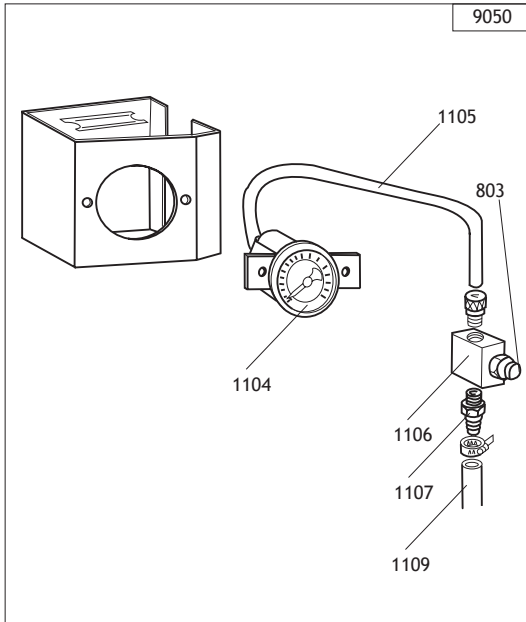
<b>9801</b>	<b>252568</b>	<b>GRUPPO</b>	<b>ASSEMBLY</b>	<b>GRUPPE</b>	<b>GROUPE</b>
0803	235463	VALVOLA	VALVE	VENTIL	VANNE
0804	3-00365	VALVOLA	VALVE	VENTIL	VANNE
0805	3-00432	VALVOLA	VALVE	VENTIL	VANNE
0806	3-00221	RACCORDO	CONNECTOR	ANSCHLUSS	RACCORD
0807	3-00138	RACCORDO	CONNECTOR		
0808	3-00004	INNESTO	CLUTCH	KUPPLUNG	EMBAYAGE
0835	3-00135	NIPPLO	CONNECTION	NIPPEL	NIPPLE
0836	338576	DISTANZIALE	SPACE		
0837	452624	ANTIVIBRANTE	VIBRATION DAMPING		

0802	3-00356	VALVOLA	VALVE	VENTIL	VANNE
0809	352614	TUBO L.1900mm	PIPE	ROHR	TUYAU
0810	252625	PEDALE	PEDAL	PEDAL	PEDALE
0812	4-104223	TUBO	PIPE	ROHR	TUYAU
0813	240968	SERBATOIO	TANK	TANK	RESERVOIR
0818	438995	RACCORDO	CONNECTOR	ANSCHLUSS	RACCORD
0823	337704	RACCORDO	CONNECTOR	ANSCHLUSS	RACCORD
0830	241841	RACCORDO	CONNECTOR	ANSCHLUSS	RACCORD
0832	342288	TUBO	PIPE	ROHR	TUYAU
0833	4-103544	TUBO	PIPE	ROHR	TUYAU
0834	243020	RACCORDO	CONNECTOR	ANSCHLUSS	RACCORD
Ø6	1-01684	TUBO	PIPE		
Ø8	1-01683	TUBO	PIPE		



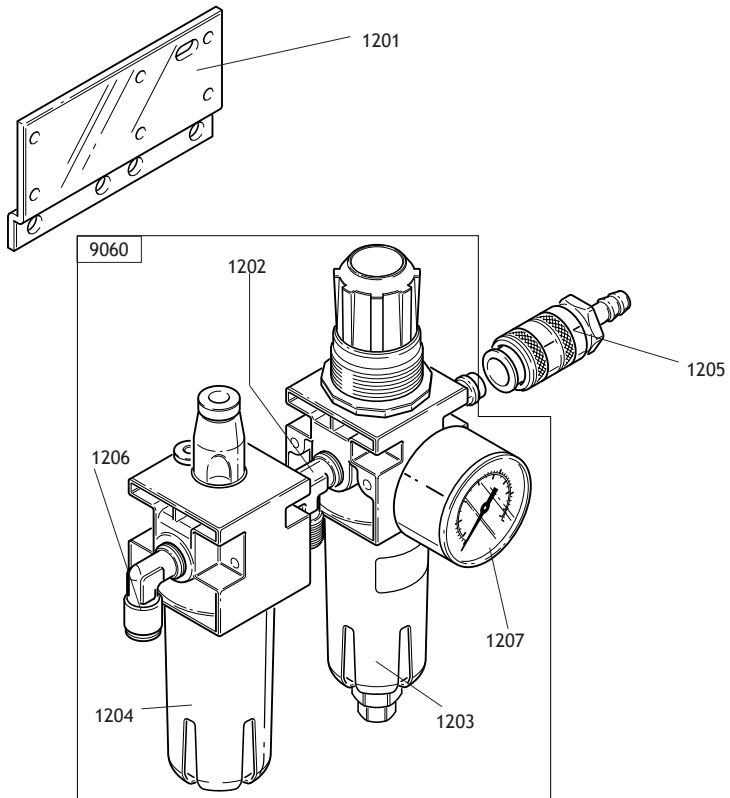
9900	233677	PEDALIERA	CONTROL PEDAL	PEDALERIE	GR.PEDALES
0910	252030	PEDALE INVERTITORE	PEDAL		
0911	329058	PIASTRINA	PLATE	PLAETTCHEIN	PLAQUETTE
0912	331381	BIELLA	TRACE	PLEUELSTANGE	BIELLE
0913	5-102740	RUBINETTO SINGOLO	VALVE	VENTIL	VANNE
0914	322705	TUBO	PIPE	ROHR	TUYAU
0915	3-00112	RACCORDO	CONNECTOR	ANSCHLUSS	RACCORD
Ø 8	1-01683	TUBO	PIPE		

0901	3-00585	CINGHIA	BELT	RIEMEN	COURROIE
0902	319073	PULEGGIA(PNEUM)	PULLEY	RIEMENSCHIEBE	POULIE
0902	314344	PULEGGIA D.130	PULLEY	RIEMENSCHIEBE	POULIE
0903	3-00141	NIPPLO	CONNECTION	NIPPEL	NIPPLE
0904	3-00316	VALVOLA	VALVE	VENTIL	VANNE
0905	3-00040	RACCORDO	UNION		
0906	319135	MOTORE	MOTOR	MOTOR	MOTEUR
0907	3-00109	RACCORDO	CONNECTOR	ANSCHLUSS	RACCORD
0908	319076	PULEGGIA	PULLEY	RIEMENSCHIEBE	POULIE
0916	428682	MOLLA	SPRING		
Ø 10	1-01875	TUBO	PIPE		



9050	5-100696	SCATOLA - BAR PSI	BOX - BAR PSI		
1104	3-00490	MANOMETRO	PRESSURE GAUGE	DRUCKMESSER	MANOMETRE
1105	329245	TUBO	PIPE	ROHR	TUYAU
1106	352586	BLOCCHETTO	BLOCK	BLOCK	BLOC
1107	3-00007	RACCORDO	CONNECTOR	ANSCHLUSS	RACCORD
1109	354410	TUBO	PIPE	ROHR	TUYAU
0803	235463	VALVOLA	VALVE		

9051	252558	VALVOLA	VALVE		
1111	3-00055	RACCORDO	CONNECTOR	ANSCHLUSS	RACCORD
1112	352557	RACCORDO	CONNECTOR	ANSCHLUSS	RACCORD
0805	3-00432	VALVOLA	VALVE		



9060	456522	FILTRO	FILTER		
1202	3-00001	RACCORDO	CONNECTOR	ANSCHLUSS	RACCORD
1203	457512	BICCHIERE FILTRO	BOWL	GLAS	BOL
1204	457511	BICCHIERE LUBRIF.	BOWL	GLAS	BOL
1206	3-00221	RACCORDO	CONNECTOR	ANSCHLUSS	RACCORD
1207	3-00488	MANOMETRO	PRESSURE GAUGE		

1201 4-102273

STAFFA

BRACKET

KLAUE

ETRIER

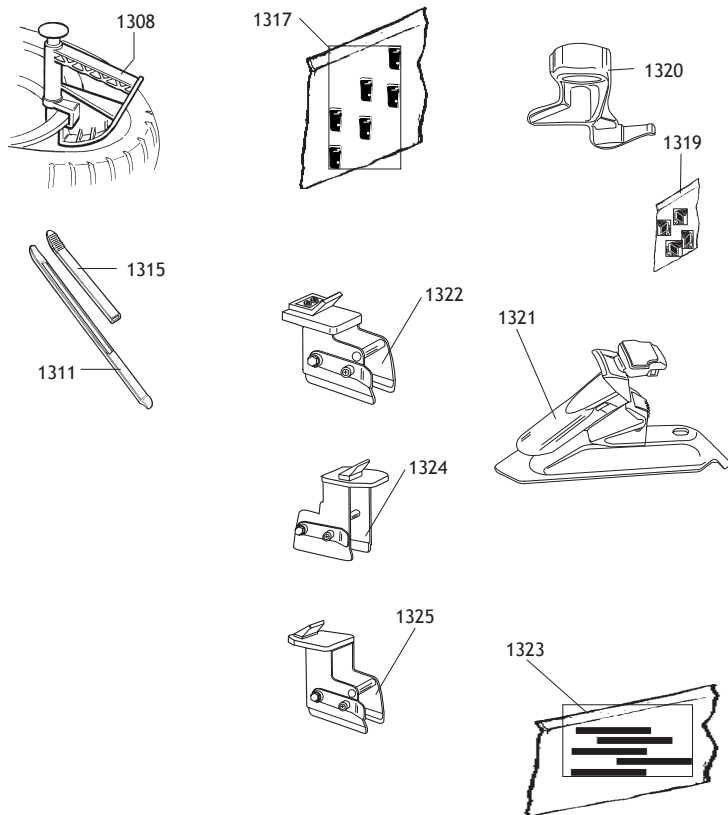
1205 3-00257

GIUNTO

COUPLING

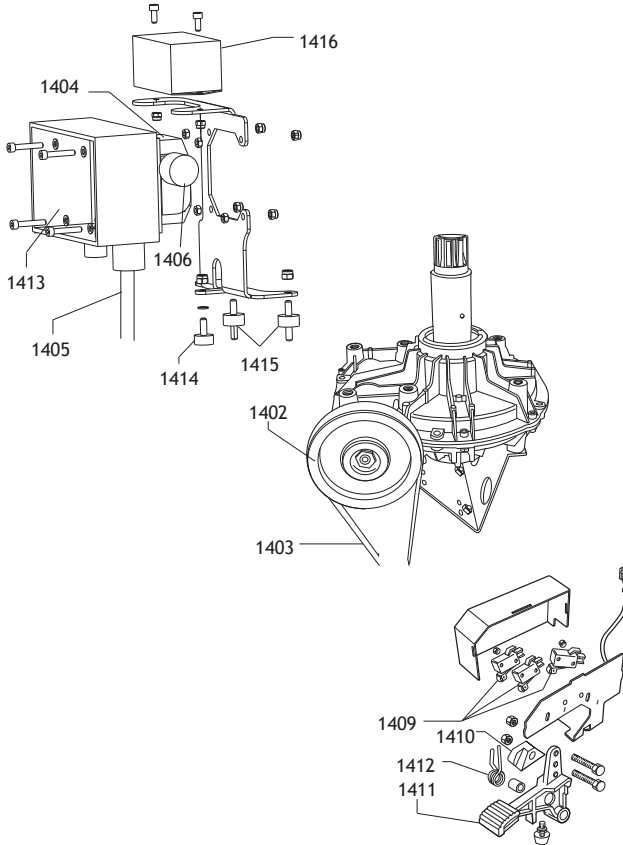
KUPPLUNG

ACCOUPEMENT



1308	801435685	PINZA	PLIERS	ZANGE	PINCE
1311	444288	LEVA	LEVER	HEBEL	LEVIER
1315	801246241	KIT 6 PROT.LEVA	PROTECTION		
1317	801258383	KIT 6 PROT.PALETTE	PROTECTION		
1319	801254341	KIT 10 INSERTI	PROTECTION		
1320	801252083	KIT TORRETTA 8"	HEADKIT 8"		
1321	2200573	KIT 4 PROTEZ.GRIFFA	SHIELD	ABDECKUNG	PROTECTION
1322	8-11100041	KIT 4 ATTACCHI MOTO 16-24"		PROTECTION	
1323	801258898	KIT 5 PASTIGLIE	PROTECTION		
1324	8-11100042	KIT N° 4 ADATTATORI 8"		8" ADAPTORS KIT	
1325	8-11100036	KIT N° 4 ADATTATORI MOTO		MOTORCYCLE ADAPTORS KIT	





1402	339870	PULEGGIA	PULLEY	RIEMENSCHIEBE	POULIE
1403	3-00573	CINGHIA	BELT	RIEMEN	COURROIE
1404	5-103274	MOTORE 230V	MOTOR 230V CONNECTOR		
1405	4-101687	CAVO	CABLE	KABEL	CABLE
1406	4-102397	PULEGGIA	PULLEY	RIEMENSCHIEBE	POULIE
1409	440874	MICROINTERRUTTORE	MICROSWITCH		
1410	461535	CAMMA	CAM		
1411	5-102714	PEDALE	PEDAL		
1412	428682	MOLLA	SPRING		
1413	4-104102	SCHEDA	P. C. BOARD		
1414	461430	ANTIVIBRANTE	VIBRATION DAMPING		
1415	447390	ANTIVIBRANTE	VIBRATION DAMPING		
1416	4-101687	FILTRO RETE	FILTER		

A large rectangular frame containing 20 horizontal dotted lines, intended for writing or drawing.

A large rectangular area containing 20 horizontal dotted lines, intended for writing or drawing.



**MONDOLFO FERRO S.p.a.**  
Viale dell'industria, 20 - 61037 MONDOLFO (PU) Italy  
[export.dpt@mondolfoferro.it](mailto:export.dpt@mondolfoferro.it)  
[commitalia@mondolfoferro.it](mailto:commitalia@mondolfoferro.it)  
[www.mondolfoferro.it](http://www.mondolfoferro.it)